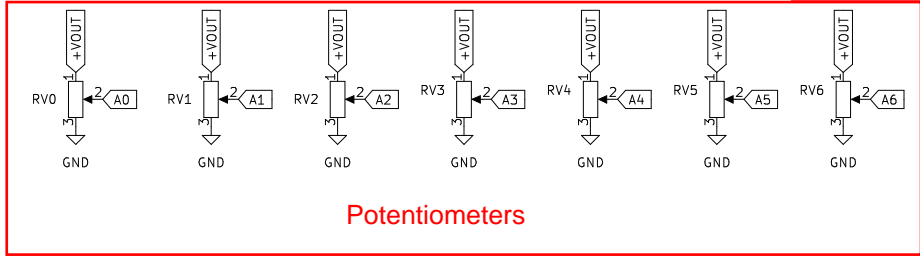
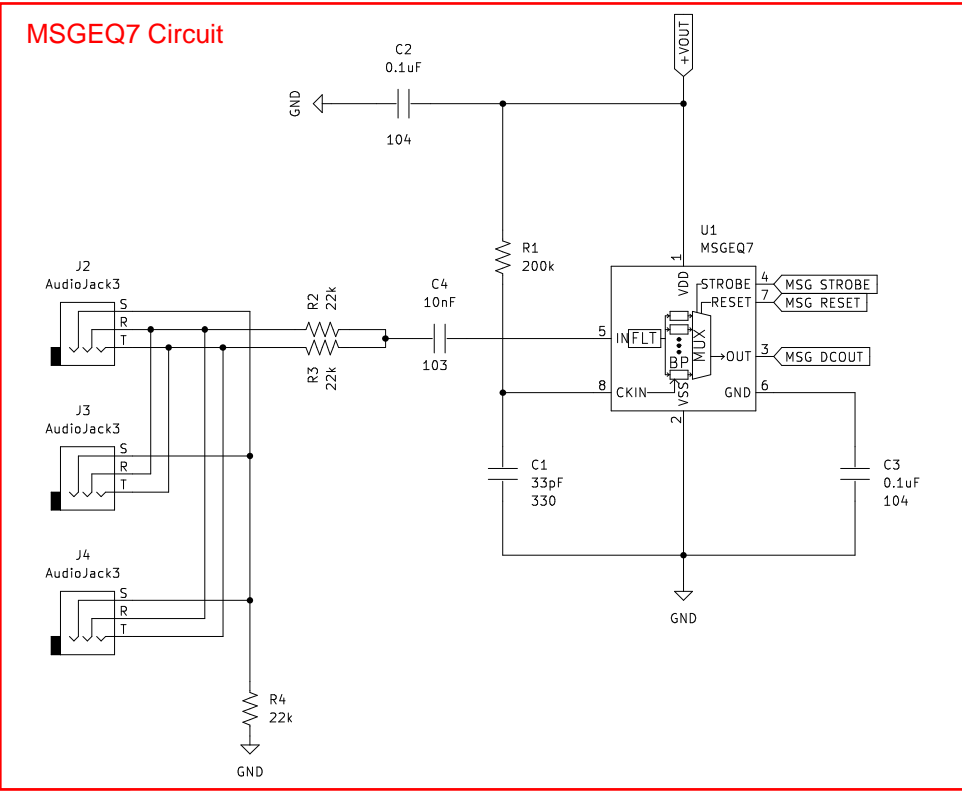
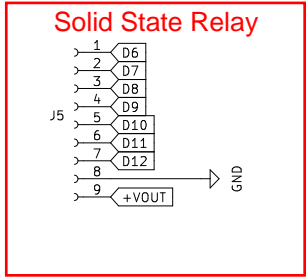
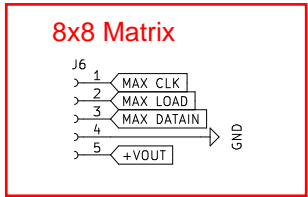
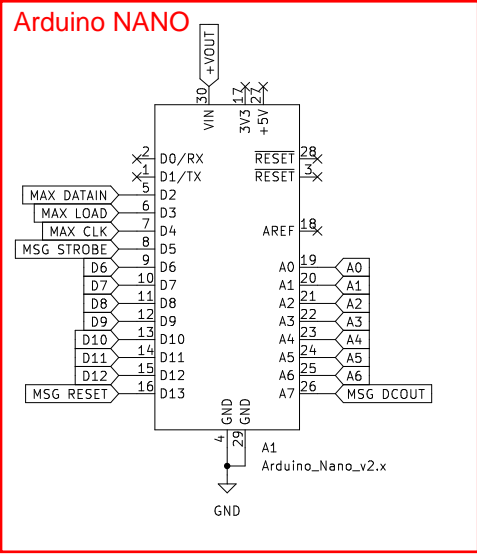


- H1 MountingHole
- H2 MountingHole
- H3 MountingHole
- H4 MountingHole



Sheet: /		
File: Christmas.kicad_sch		
Title:		
Size: A4	Date:	Rev:
KiCad E.D.A. kicad 7.0.7		Id: 1/1