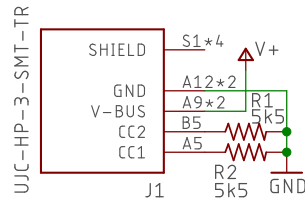
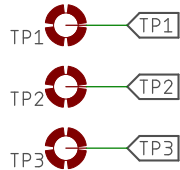


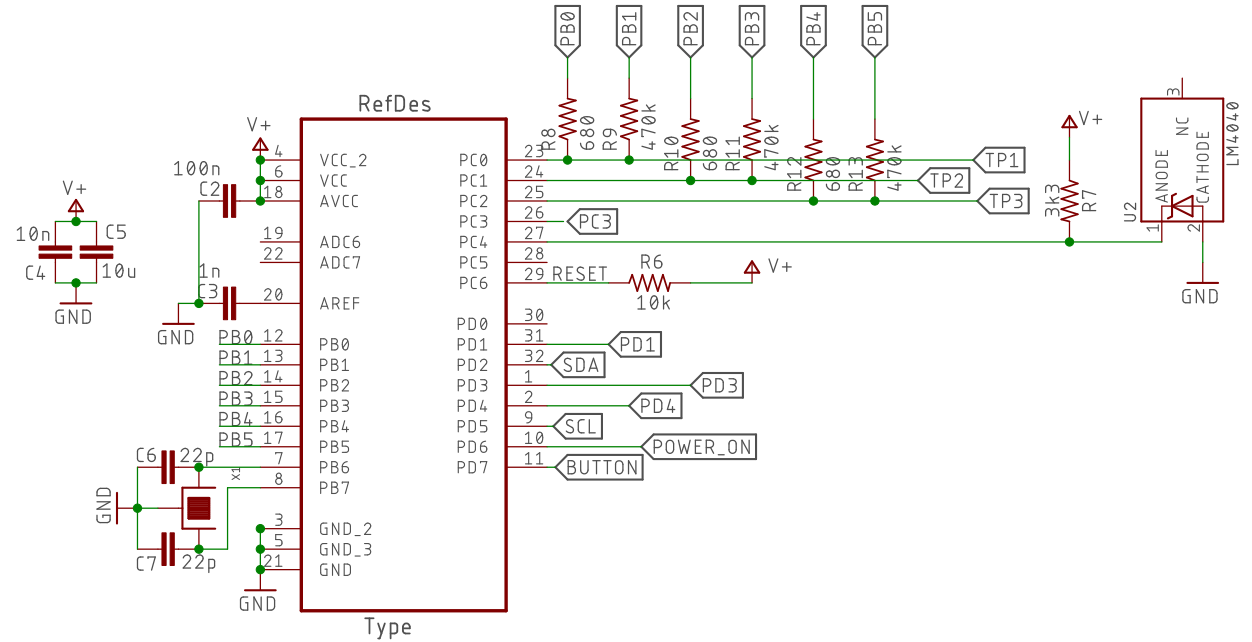
Power



Test Points 2mm Banana Sockets

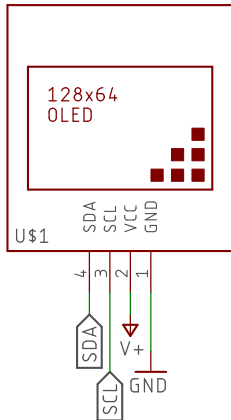


MCU

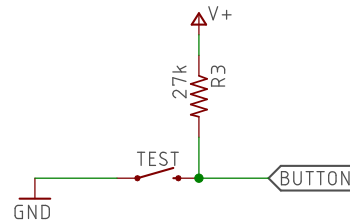


Display

DISPLAY-OLED-128X64-I2C



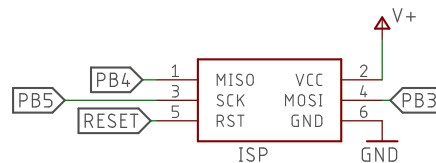
Test Button



Originally Designed by
Markus Frejcek & Karl-Heinz Kübbeler

https://www.mikrocontroller.net/articles/AVR_Transistortester

AVR ICSP



Released under the Creative Commons

Attribution Share-Alike 4.0 License

<https://creativecommons.org/licenses/by-sa/4.0/>

TITLE: Component Tester OLED (Keychain)

Design by: Akshay Baweja

REV: 1

Date: June 20, 2020

Sheet: 1/1