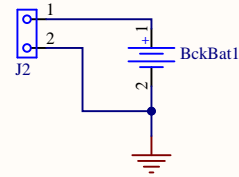
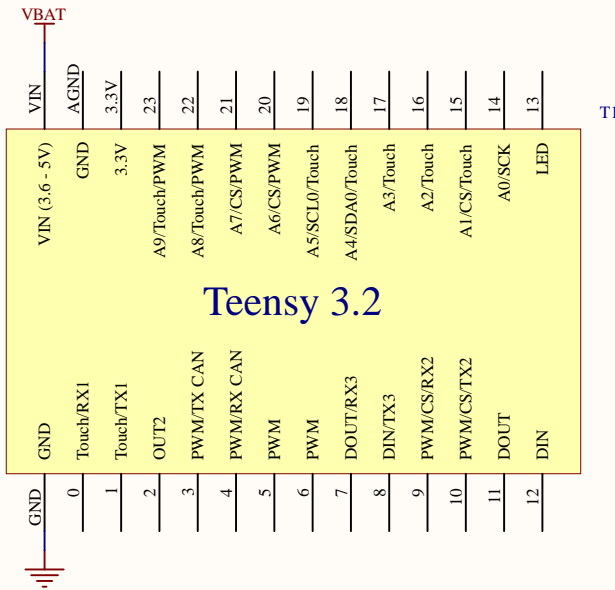
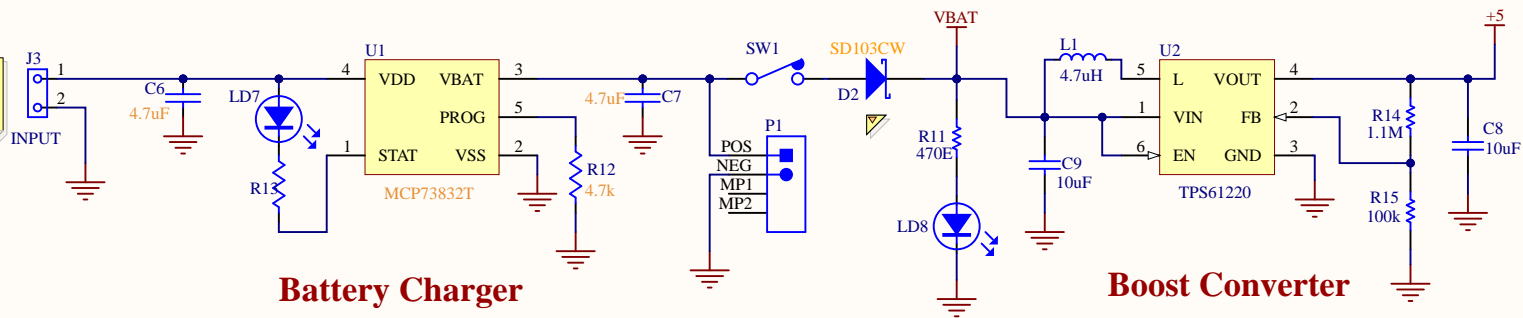


Powering and Programing: When Teensy is in Deep Sleep to program the Teensy press the button on Top of the Teensy then you would be able to program the Board.



The Input 5V comes from the Teensy onboard 5V. See wire dangling on top of the Teensy Board. That 5V is coming from the USB Port, even though we have Cut the Trace.



Title		
Size	Number	Revision
A4		
Date:	10/18/2021	Sheet of
File:	E:\Projects\...\Sch.SchDoc	Drawn By: