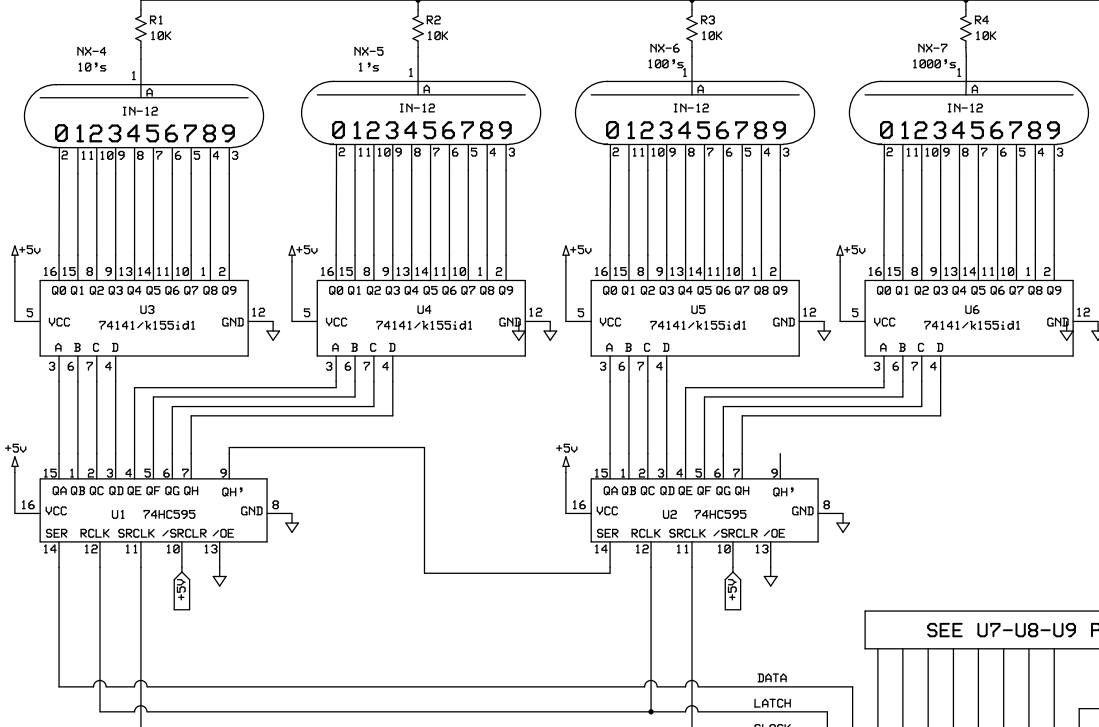
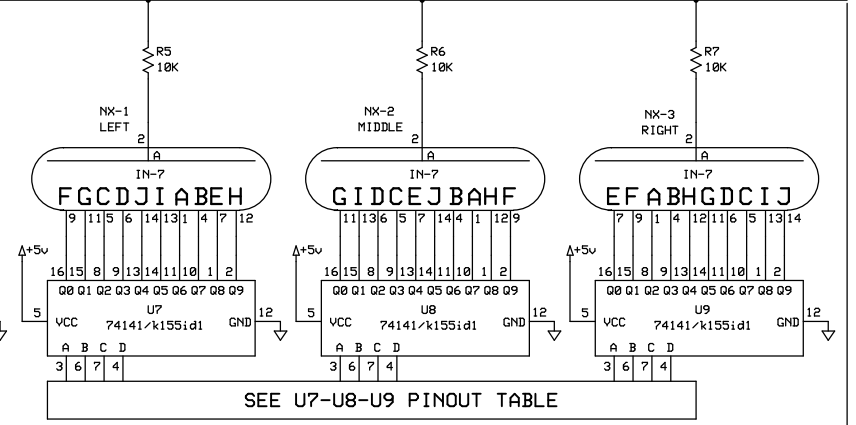


SCORE BOARD



SLOT MACHINE WHEELS



SEE U7-U8-U9 PINOUT TABLE

U7-U8-U9 PINOUT TABLE
BASED ON PCB LAYOUT

U7	ARDUINO	U8	ARDUINO	U9	ARDUINO
(BIT PIN)	(PIN BIT)	(BIT PIN)	(PIN BIT)	(BIT PIN)	(PIN BIT)
A 3	21 16	A 3	24 19	A 3	8 5
B 6	23 18	B 6	10 7	B 6	6 3
C 7	11 9	C 7	9 6	C 7	5 6
D 4	22 17	D 4	11 8	D 4	7 4

SEE U7-U8-U9 PINOUT TABLE

WINNER NEON LAMPS

