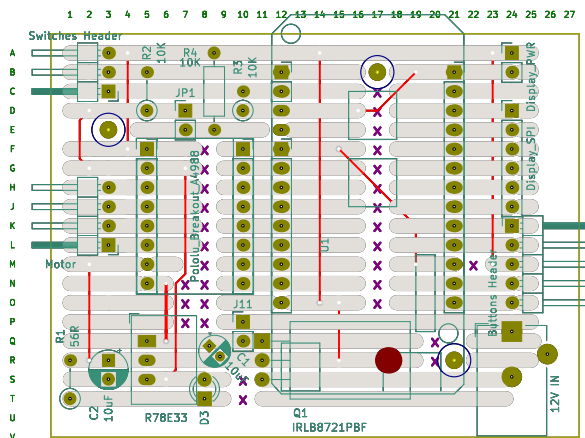
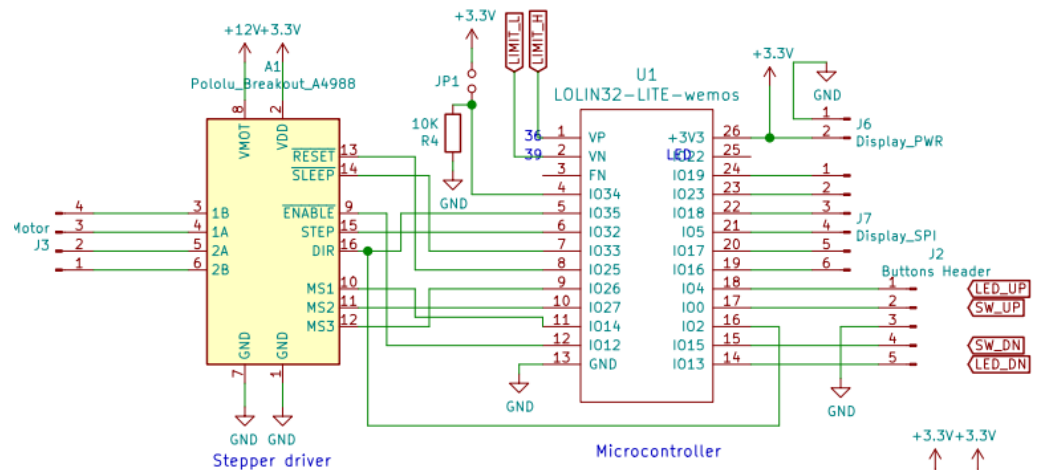


Pushbuttons

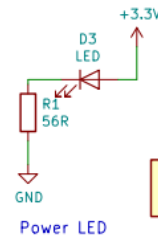


Main controller

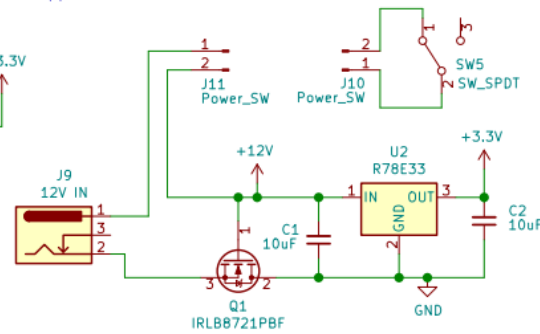


Stepper driver

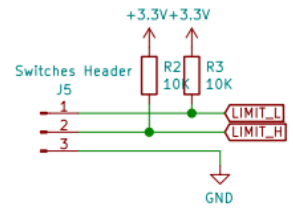
Microcontroller



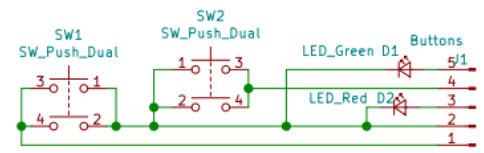
Power LED



Power in, regulator, reverse pol. protection



Limit Switches



Pushbuttons

(c) PE 2020

Sheet:
File: Turbo controller.kicad_pcb

Title: Turbo controller with Zwift interface

Size: A4 Date: 2020-08-17
KiCad E.D.A. kicad (5.0.2)-1

Rev:
Id: 1/6