

Linefollower

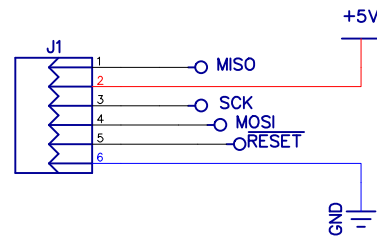
Designed by:
Sarrazyn J.

Designed on:
16/10/2018

Version:
1

Microcontroller

Sheet: 1



Linefollower

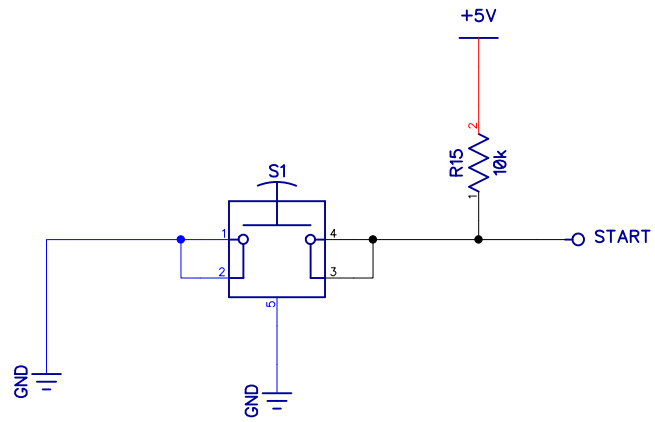
Designed by:
Sarrazyn J.

Designed on:
16/10/2018

Version:
1

ICSP

Sheet: 2



Linefollower

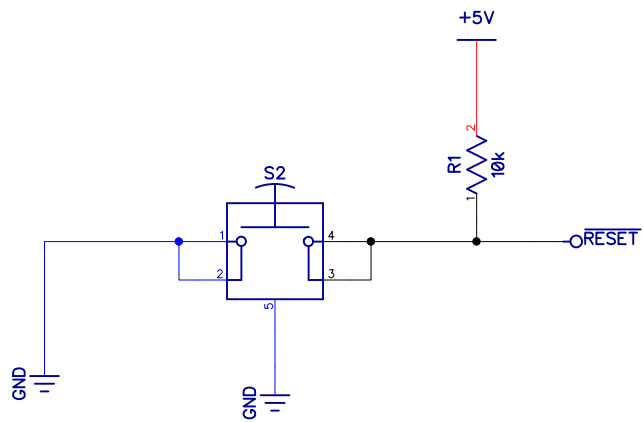
Designed by:
Sarrazyn J.

Designed on:
16/10/2018

Version:
1

Start

Sheet: 3



Linefollower

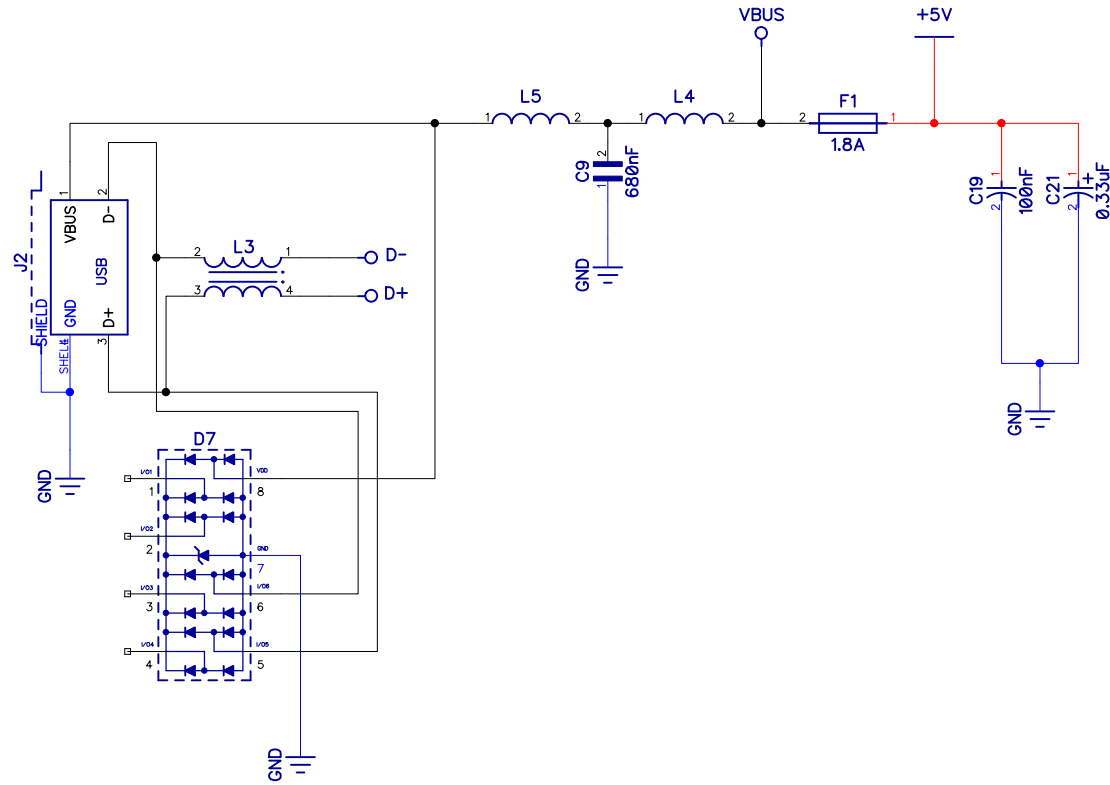
Designed by:
Sarrazyn J.

Designed on:
16/10/2018

Version:
1

Reset

Sheet: 4



Linefollower

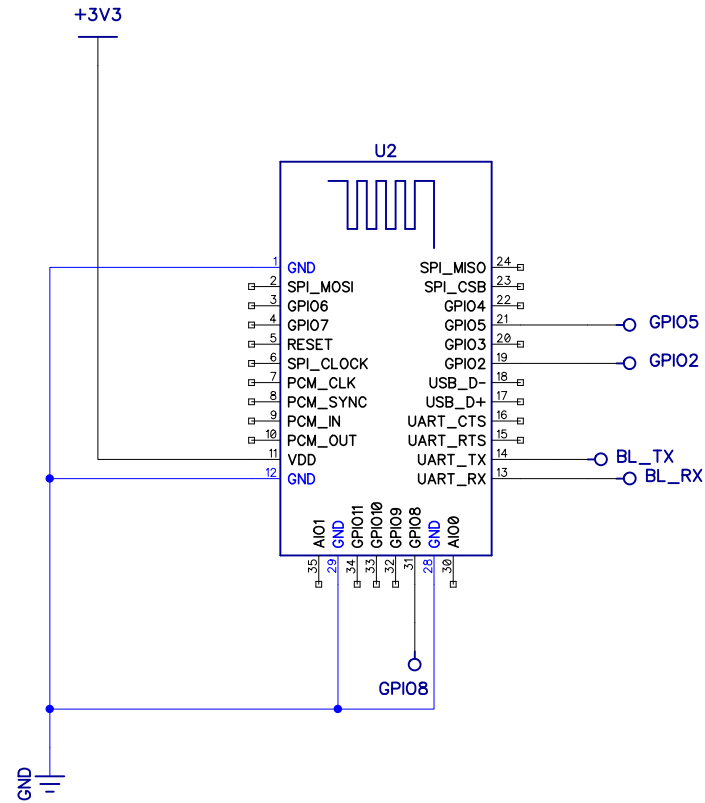
Designed by:
Sarrazyn J.

Designed on:
16/10/2018

Version:
1

USB

Sheet: 5



Linefollower

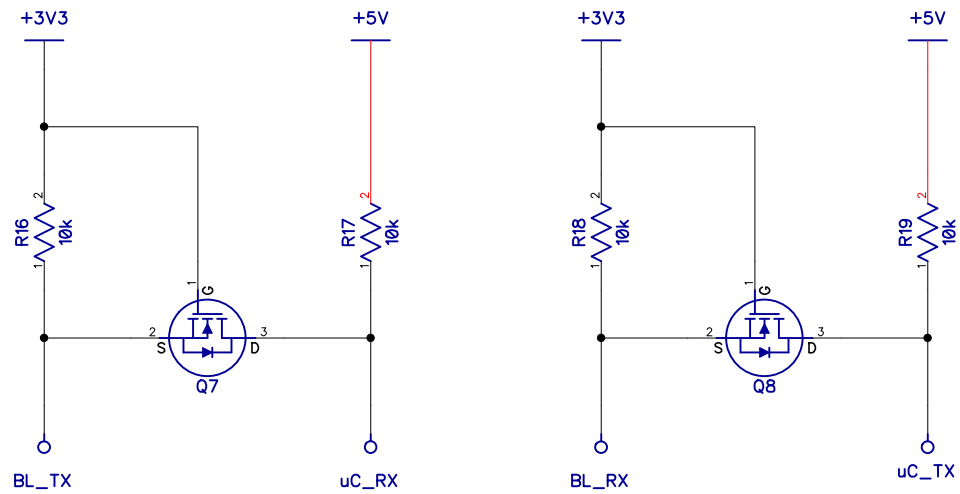
Designed by:
Sarrazyn J.

Designed on:
16/10/2018

Version:
1

Bluetooth

Sheet: 6



Linefollower

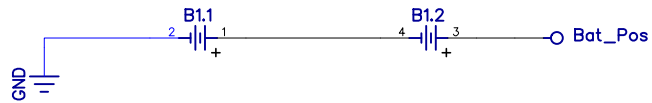
Designed by:
Sarrazyn J.

Designed on:
16/10/2018

Version:
1

Level Shifters

Sheet: 7



Linefollower

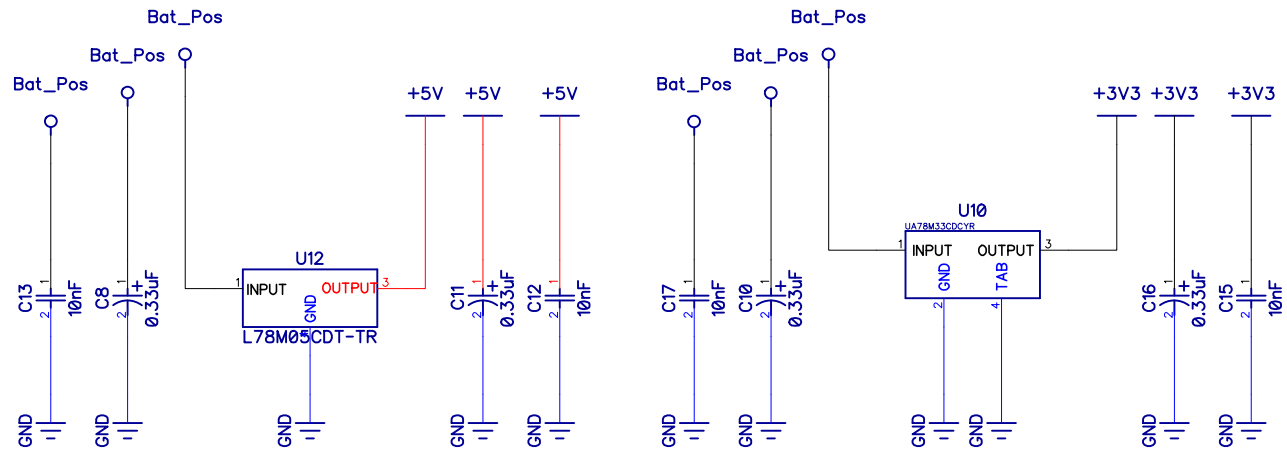
Designed by:
Sarrazyn J.

Designed on:
16/10/2018

Version:
1

Batteries

Sheet: 8



Linefollower

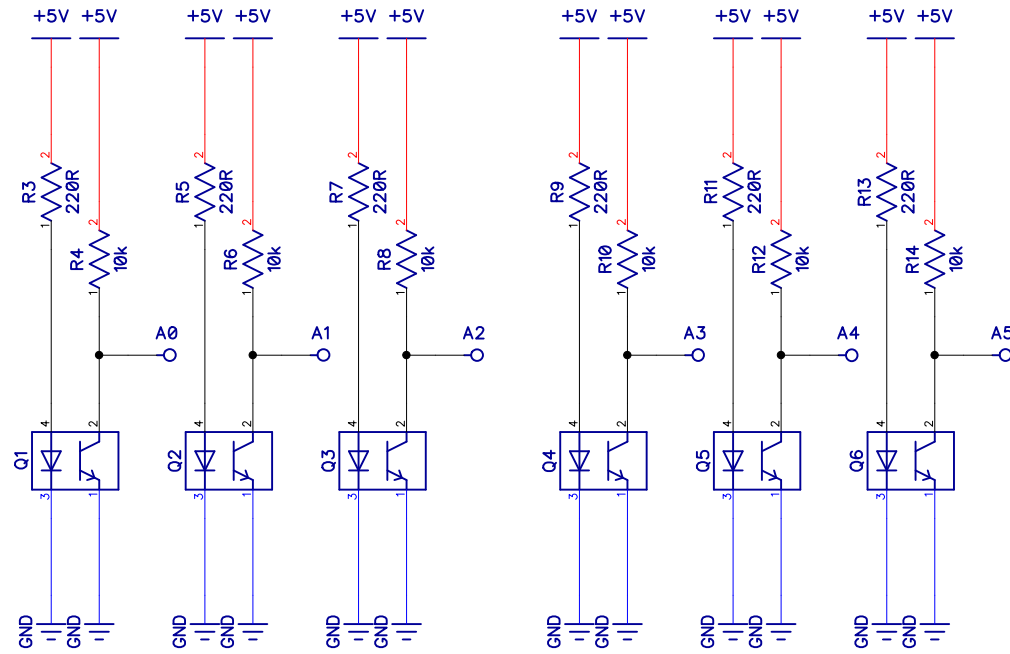
Designed by:
Sarrazyn J.

Designed on:
16/10/2018

Version:
1

Power

Sheet: 9



Linefollower

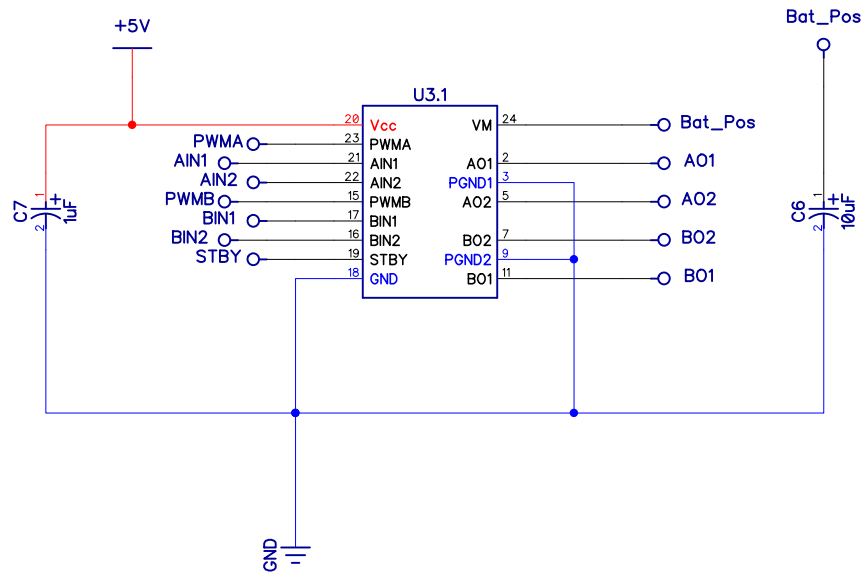
Designed by:
Sarrazyn J.

Designed on:
16/10/2018

Version:
1

Sensors

Sheet: 10



Linefollower

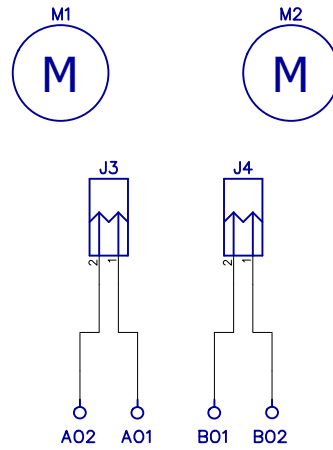
Designed by:
Sarrazyn J.

Designed on:
16/10/2018

Version:
1

H-Bridge

Sheet: 11



Linefollower

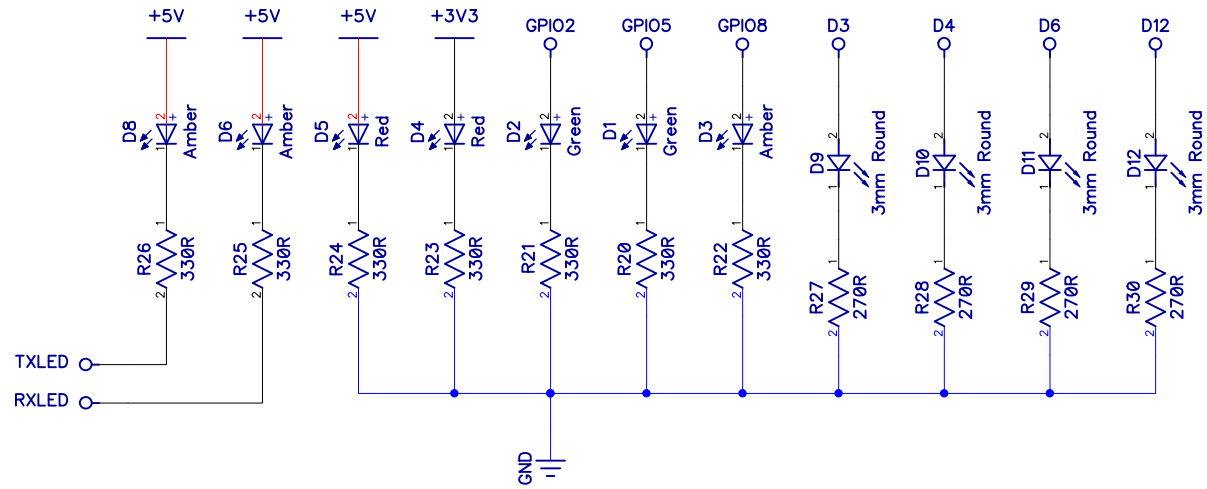
Designed by:
Sarrazyn J.

Designed on:
16/10/2018

Version:
1

Motors

Sheet: 12



Linefollower

Designed by:
Sarrazyn J.

Designed on:
16/10/2018

Version:
1

Indicators

Sheet: 13

RefDes	Name	Value
B1	1048	
C1, C2	CAP_0805	22pF
C3	CAP_1210	100nF
C4	CAP_1210	1uF
C5, C7	CAPAE_6.6x6.6h5.4	1uF
C6	CAPAE_6.6x6.6h5.4	10uF
C8, C10, C11, C16, C21	CAPAE_6.6x6.6h5.4	0.33uF
C9	WCAP-CSGP_0805_WAVE	680nF
C12, C13, C15, C17	CAP_0805	10nF
C19	CAP_0805	100nF
D1, D2	WL-SMCW-150080GS75000	Green
D3, D6, D8	WL-SMCW-150080GS75000	Amber
D4, D5	WL-SMCW-150080GS75000	Red
D7	WE-TVS_82401646	
D9, D10, D11, D12	LED-3R_White	3mm Round
F1	MF-PSML110-2	1.8A
J1	HDR-2x3	
J2	62910416121	
J3, J4	HDR-1x2H	
L3	WE-CNSW_1206	
L4, L5	WE-CBF_0805_WB_HS	
M1, M2	Micro metal gear motor extended shaft	
Q1, Q2, Q3, Q4, Q5, Q6	GP2S700HCP	
Q7, Q8	BSS138P	
R1, R2, R4, R6, R8, R10, R12, R14, R15, R16, R17, R18, R19	RES_0805	10k
R3, R5, R7, R9, R11, R13	RES_0805	220R
R20, R21, R22, R23, R24, R25, R26	RES_0805	330R
R27, R28, R29, R30	RES_0805	270R
S1, S2	B3SN-3112P	
U1	ATMEGA32U4_TQFP44	
U2	RN-42	
U3	TB6612FNG	
U10	UA78M33CDCYR	
U12	7805R	L78M05CDT-TR
Y1	LFXTAL027946	

Linefollower

Designed by:
Sarrazyn J.

Designed on:
16/10/2018

Version:
1

B.O.M.

Sheet: 14