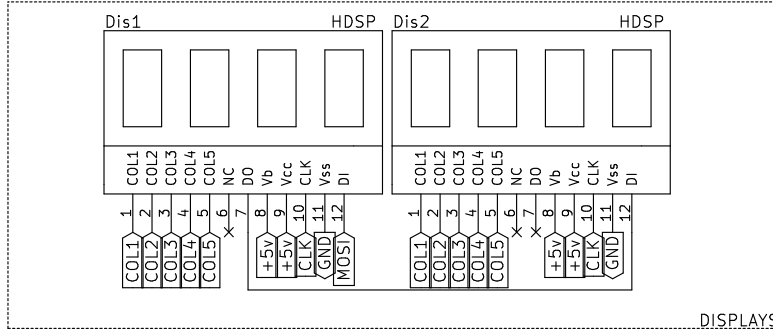
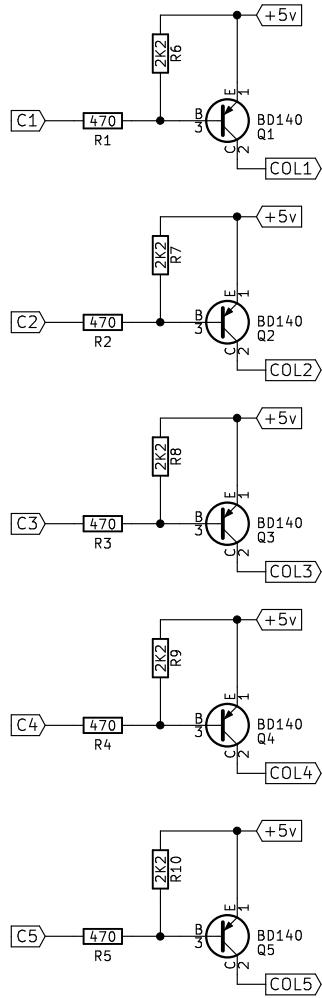
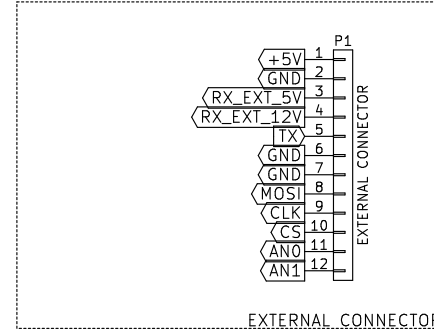


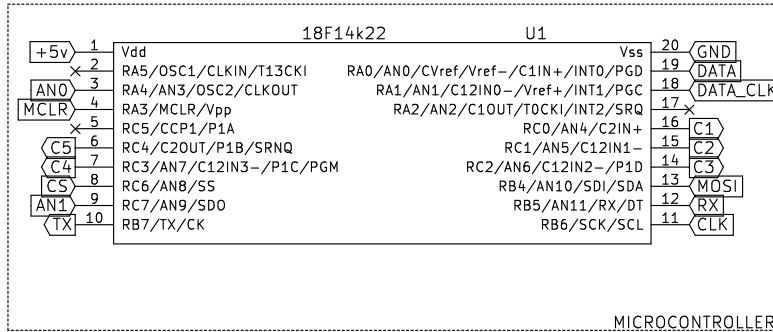
DISPLAY COLUMN DRIVERS



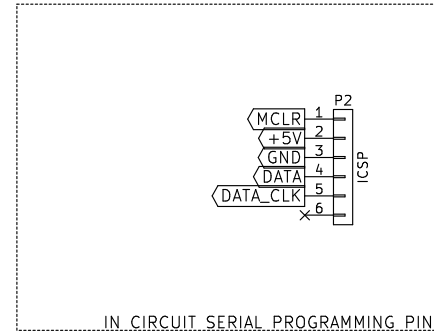
DISPLAYS



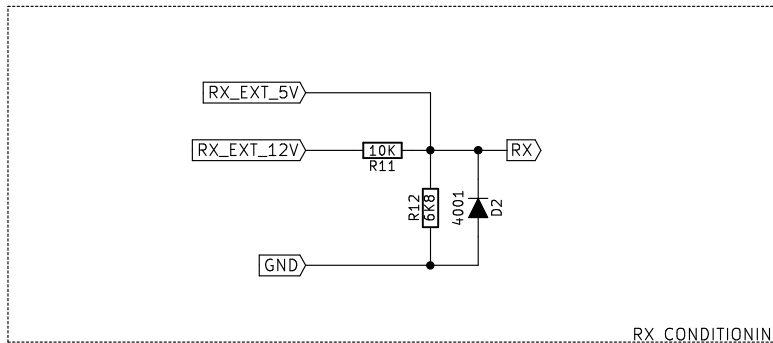
EXTERNAL CONNECTOR



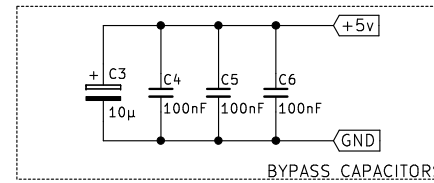
MICROCONTROLLER



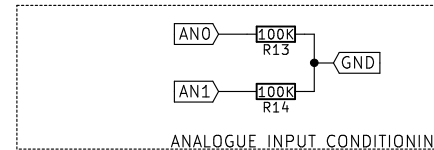
IN-CIRCUIT SERIAL PROGRAMMING PINS



RX CONDITIONING



BYPASS CAPACITORS



ANALOGUE INPUT CONDITIONING

OPEN SOURCE DESIGN
www.rkelectronics.org
RKElectronics
 Sheet: /
 File: HDSP_2_Display.sch

Title: HDSP Display Board (8 Character)

Size: A4 Date: 2018-06-23

KiCad E.D.A. kicad 4.0.3-stable

Rev: 001

Id: 1/1