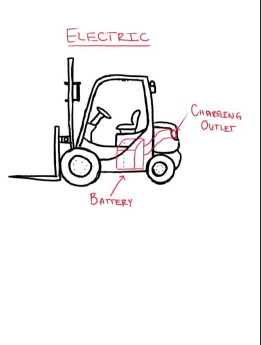
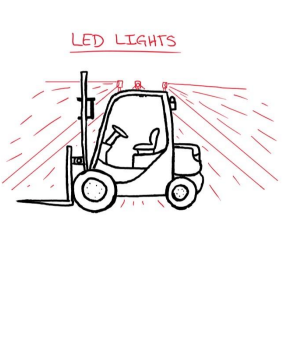
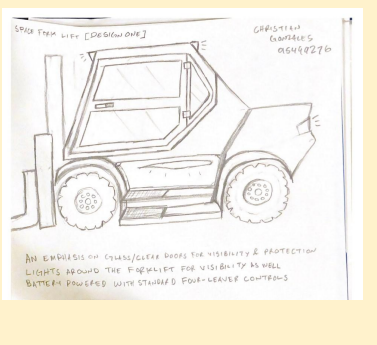
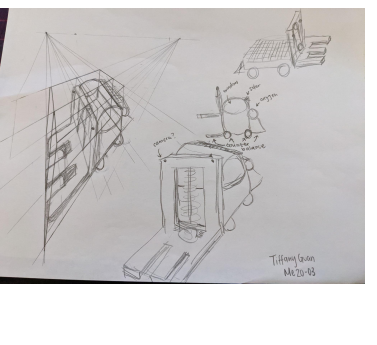
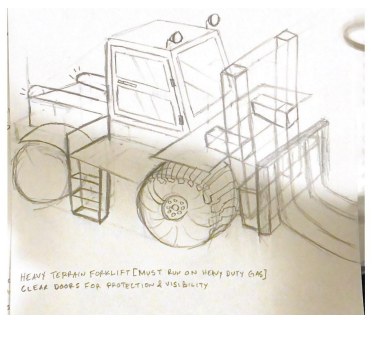
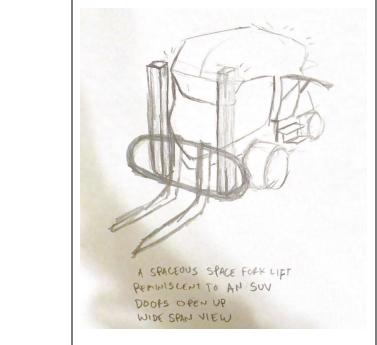
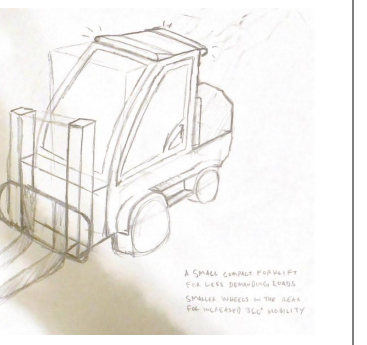
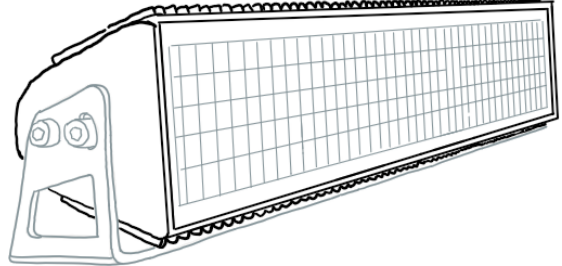
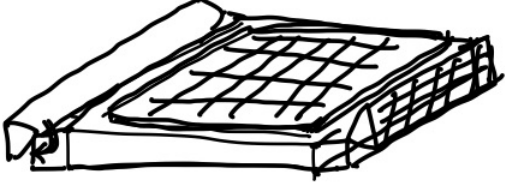
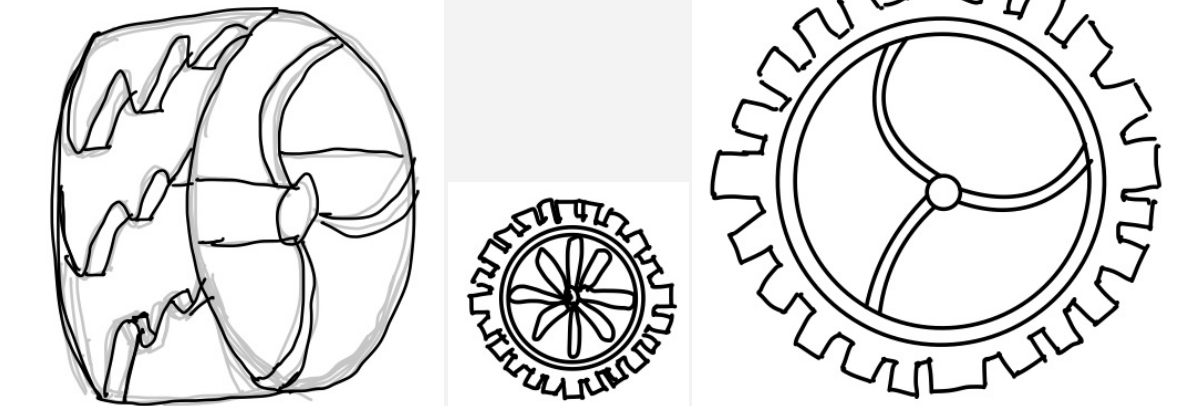


	DATUM Electric Earth Forklift							
Criteria 1	Strong LED LIGHTS	0	0	+1	0	0	0	0
Criteria 2	Electricity Powered	0	0	0	0	0	-1	+1
Criteria 3	6000 lb lifting capacity	0	0	0	0	0	+1	-1
Criteria 4	Mobile 360 RWD	0	0	+1	0	0	-1	0
Criteria 5	Reasonable Size	0	0	0	0	0	-1	0
Criteria 6	Glass Doors	0	-1	-1	+1	-1	+1	+1
Criteria 7	Reasonable Cost	0	0	0	-1	0	-1	-1
Criteria 8	Durable/ Sturdy	0	+1	0	+1	0	+1	0
Criteria 9	Easy to use	0	0	0	0	0	0	0
Criteria 10	Easily serviced	0	0	0	+1	0	-1	0
Criteria 11	Visibility	0	0	+1	0	+1	+1	+1
Criteria 12	Battery life	0	+1	0	0	0	-1	0
Criteria 13	Safety	0	0	+1	+1	0	+1	0
Criteria 14	Counterweight	0	0	0	-1	0	0	0
	Sum of Positives		+2	+3	+5	+1	+5	+2
	Sum of Negatives		-1	-3	-3	-1	-6	-1

Sum		+1	0	+2	0	-1	-1	-1
-----	--	----	---	----	---	----	----	----

General Concept Selection Method	
-1	A concept that might not fit the needs of a space environment or customer needs
0	Similar concept or a non-improvement comparative to datum
+1	An improvement to the datum in a space environment or in general

Design components we wish to implement on the final concept		
		
LED Lights	Roof Panel	Wheels