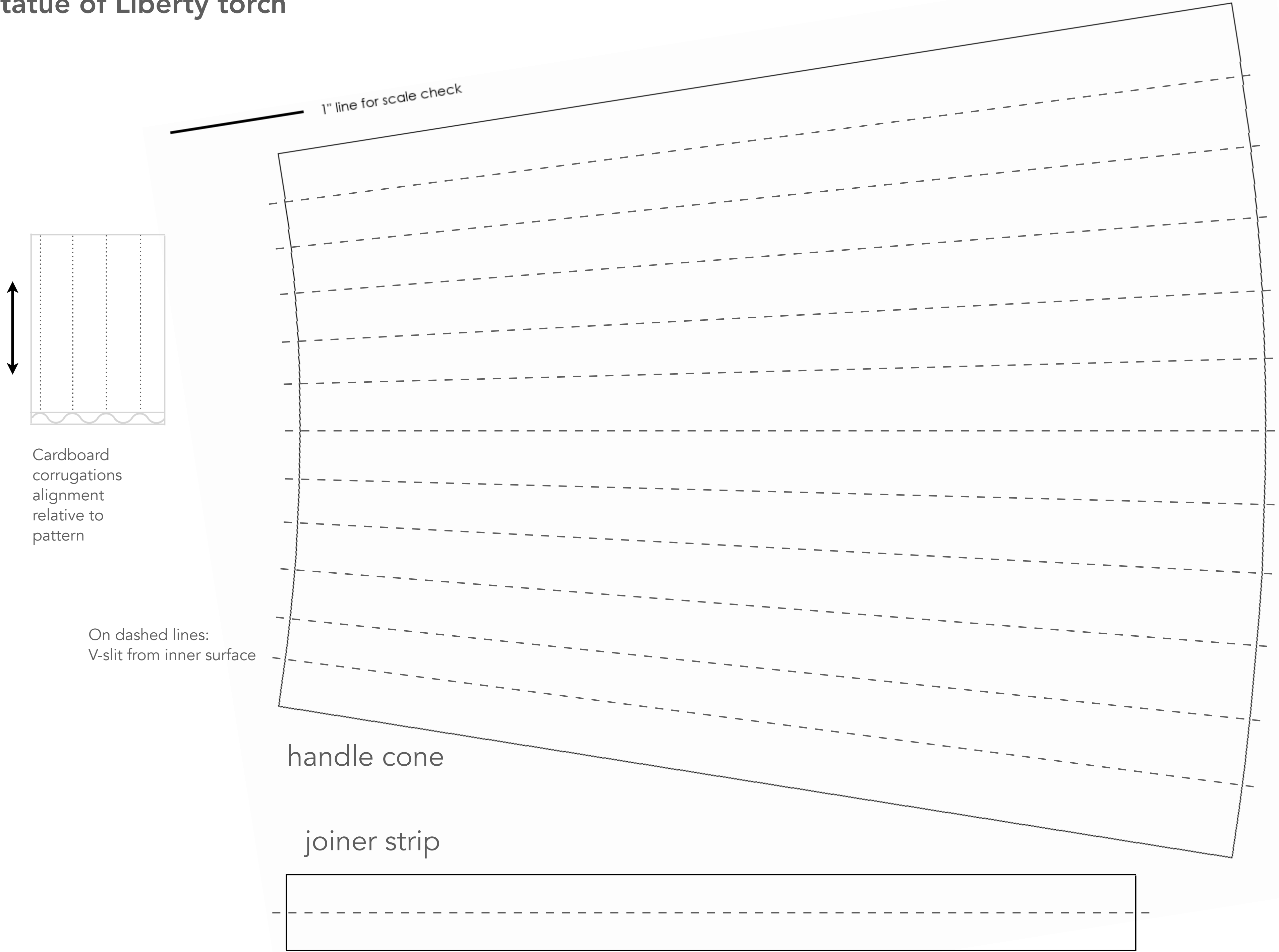
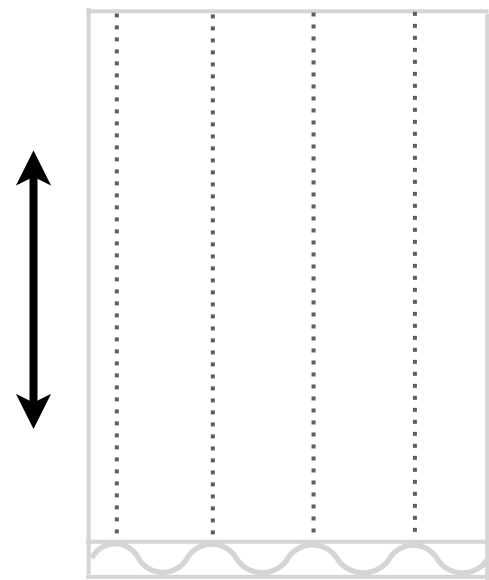


# Statue of Liberty torch

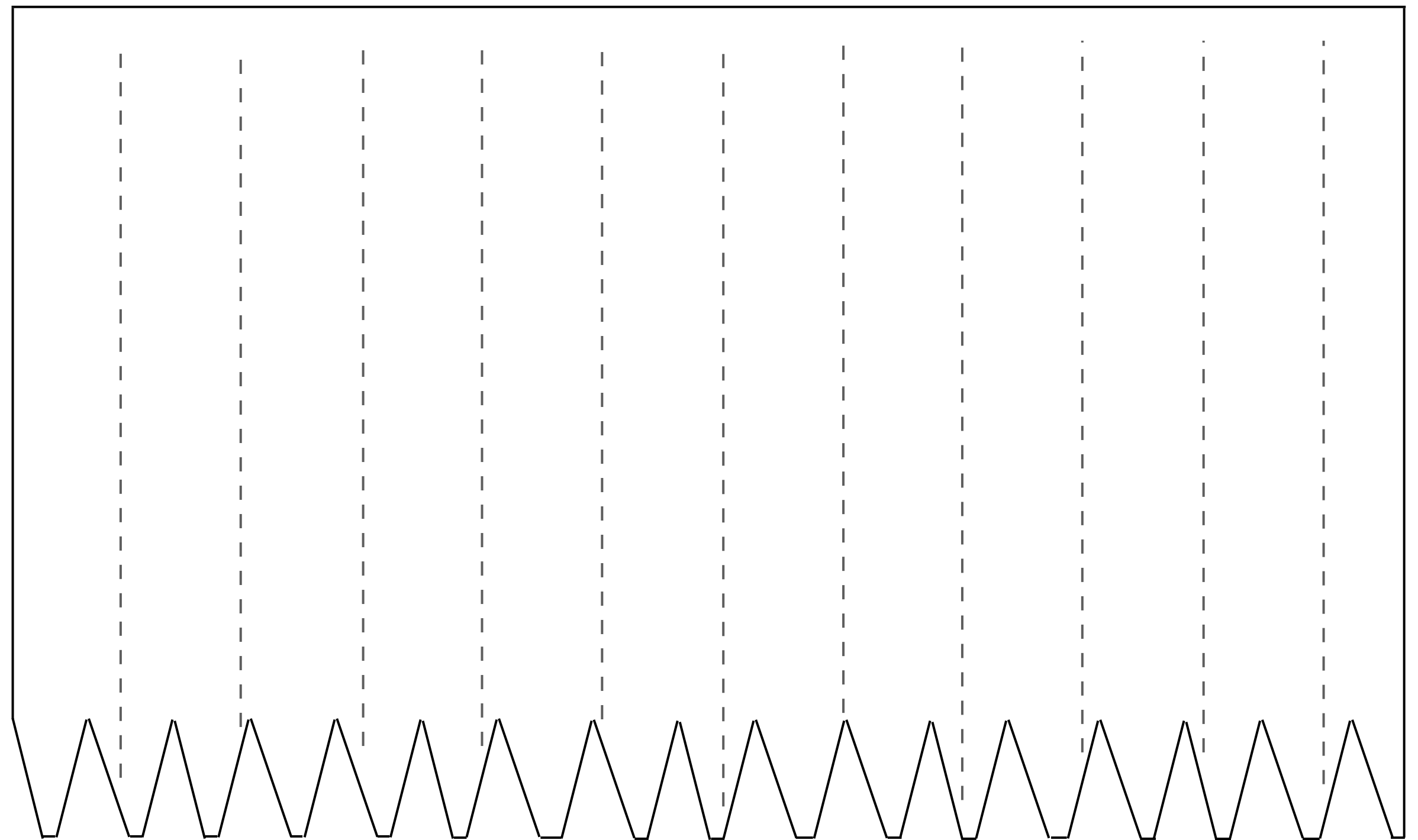


# Statue of Liberty torch



Cardboard  
corrugations  
alignment  
relative to  
pattern

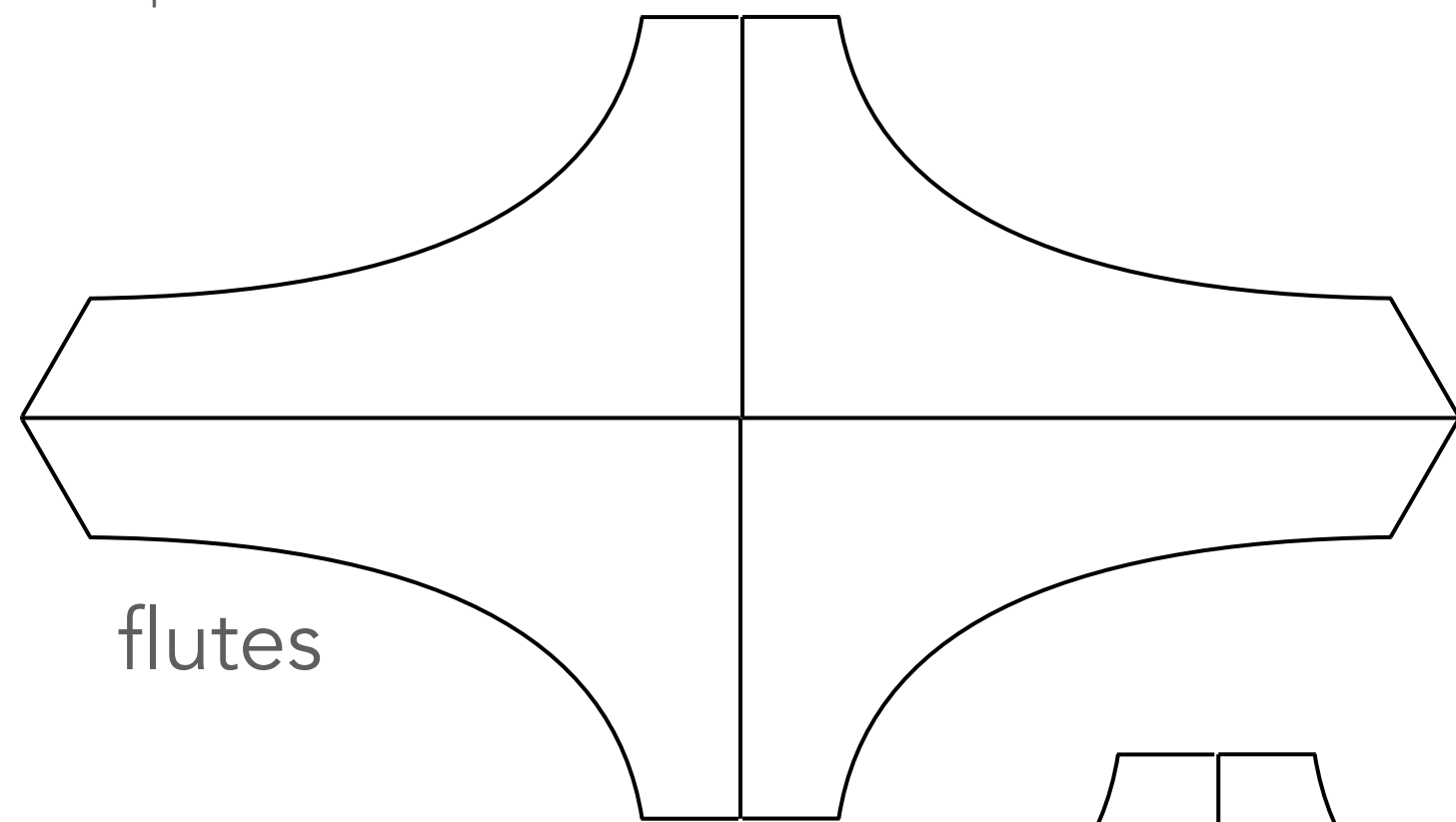
joiner  
strip



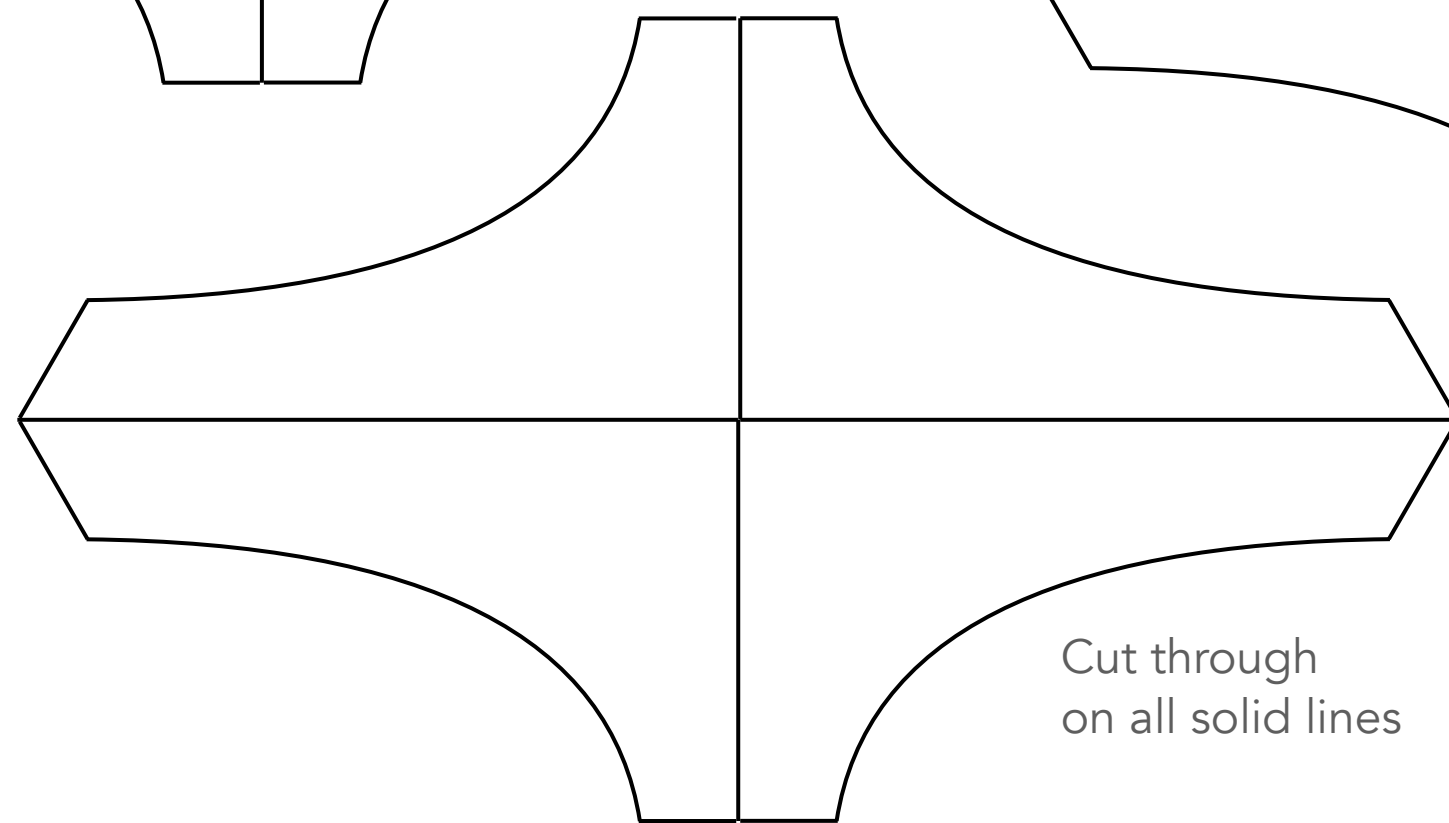
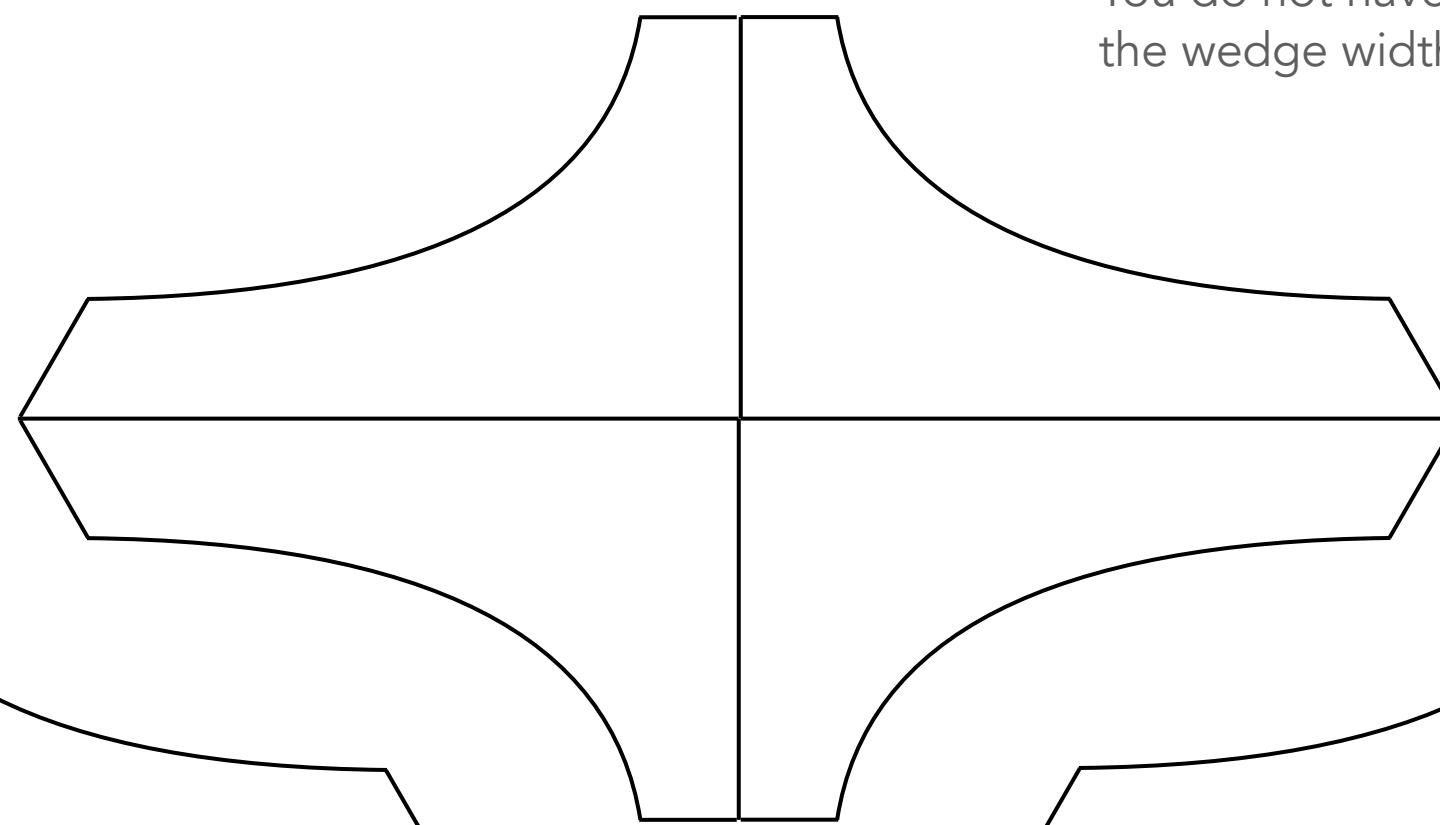
You do not have to follow  
the wedge widths exactly!

Going by dashed  
lines (not exact):  
Gently collapse  
inner surface  
between  
corrugations

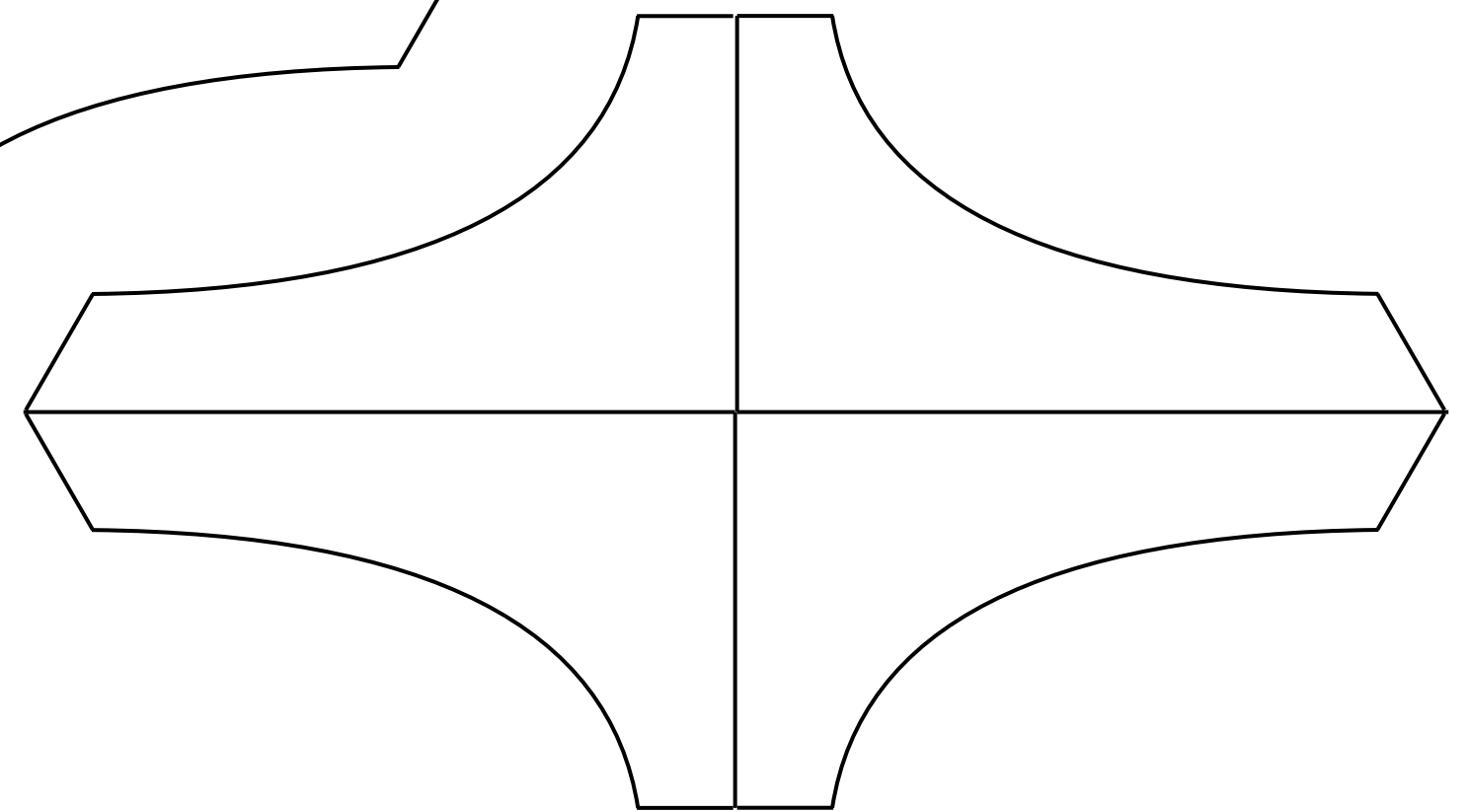
flame  
holder  
tube



flutes

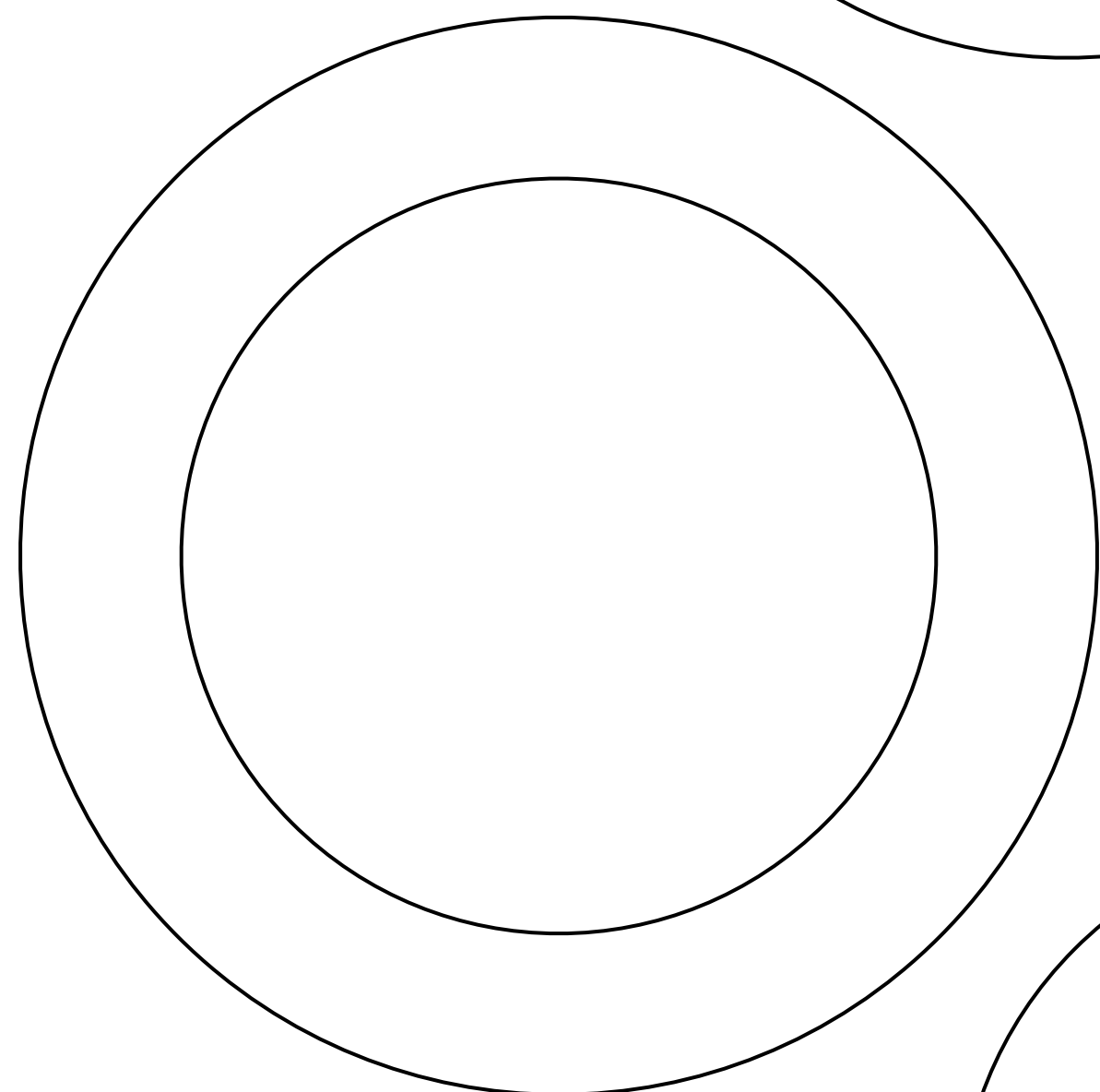
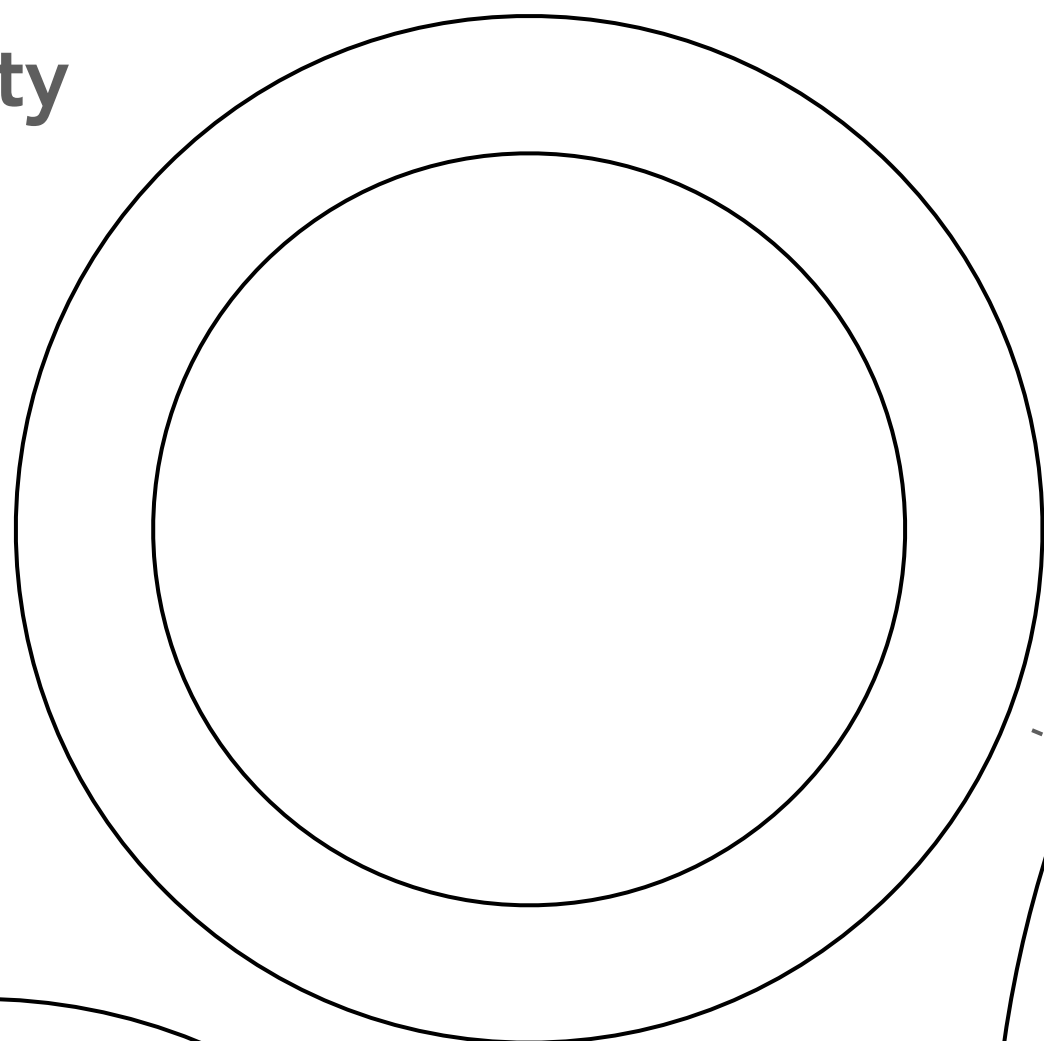


Cut through  
on all solid lines

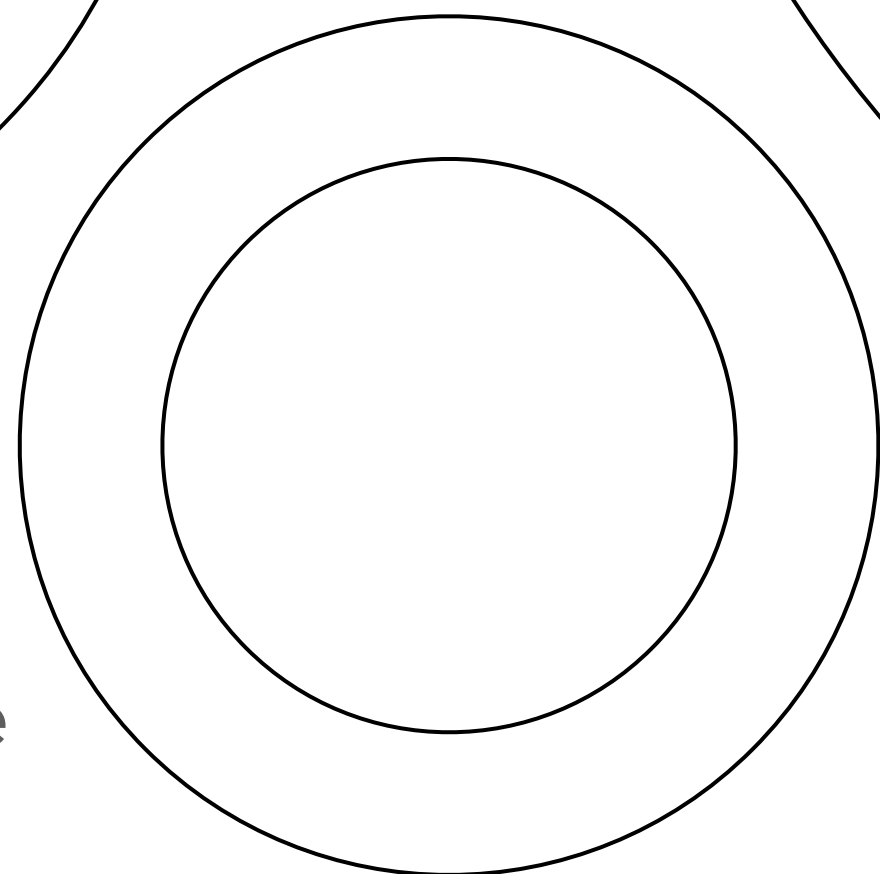


**Statue of Liberty  
torch**

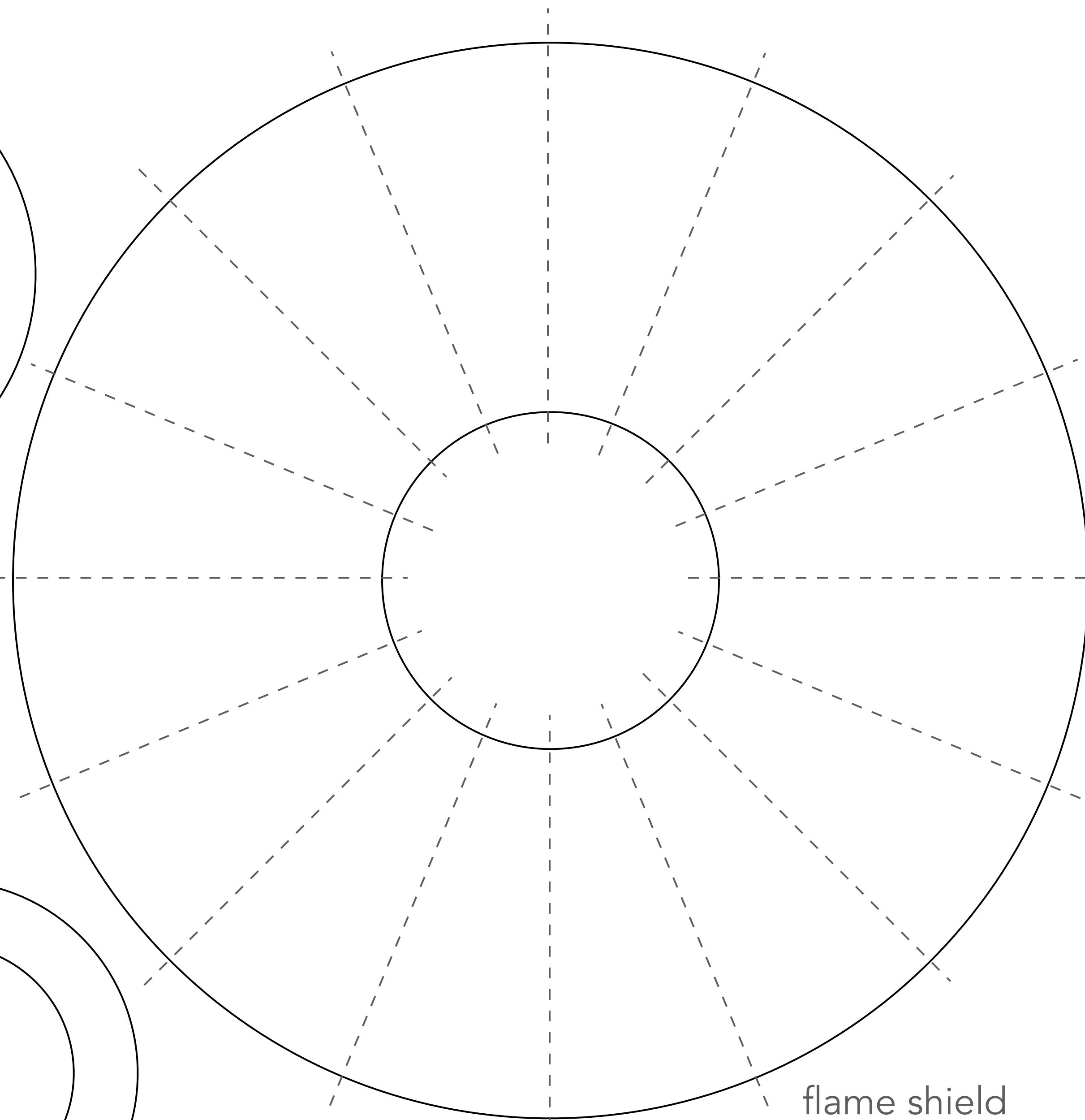
flame tube  
base



handle cone  
top



handle cone  
base



Dashed lines show  
flute alignment

flame shield