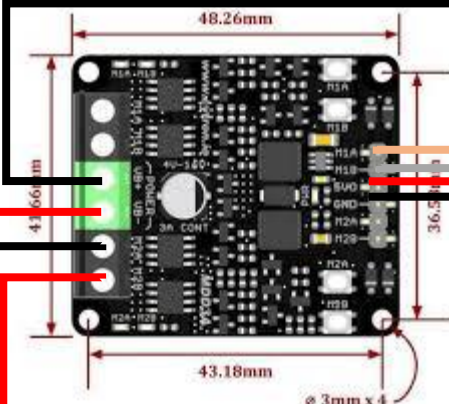


12V

AC/DC switching adaptor  
(In: 100-240VAC, 50/60 Hz)-(Out: 12V dc, 3A, 36 watt max)

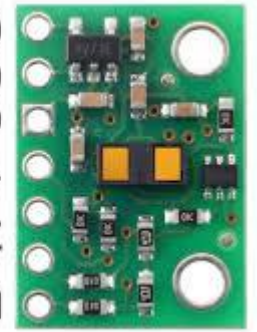
### Cytron 3AMP 4V-16V DC MOTOR DRIVER (2 CHANNEL) TYPE: MDD3A



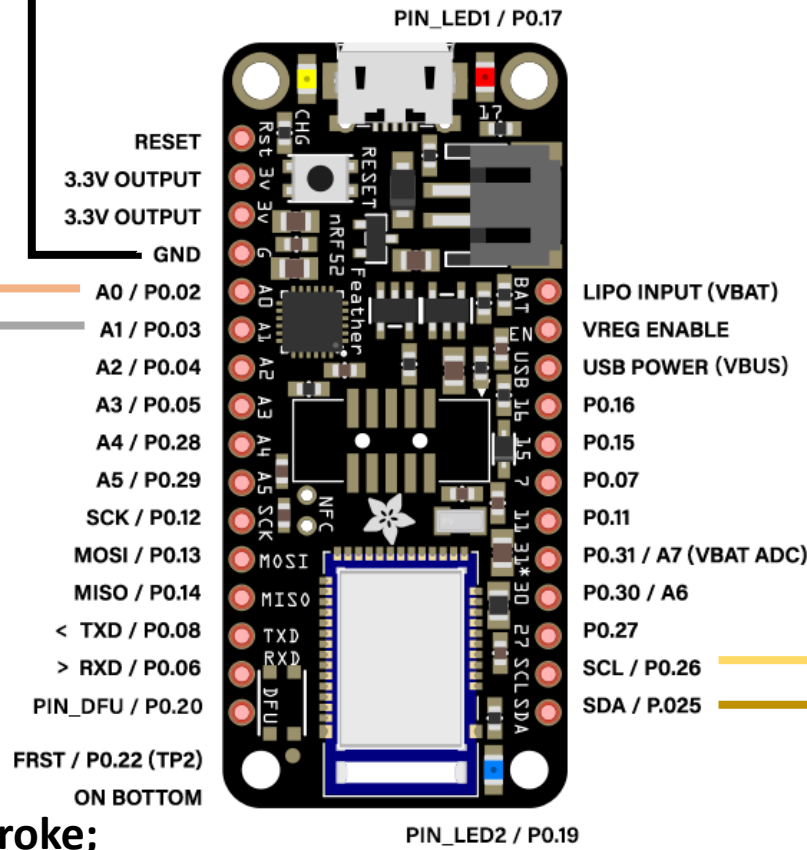
5V is supplied by MDD3A  
(200mA max)

### VL6180X TIME-OF-FLIGHT DISTANCE SENSOR (I2C)

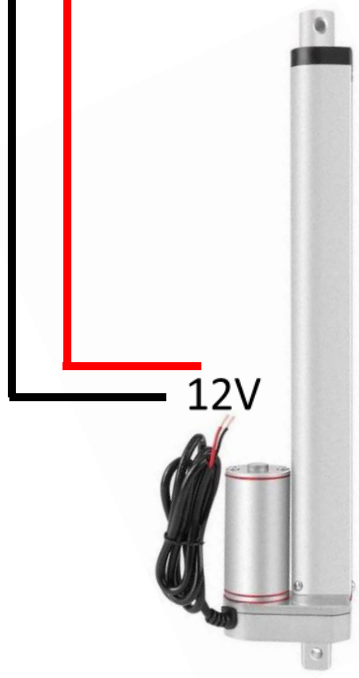
VDD (2.8V out)  
VIN (2.6-5.5V)



### BLUEFRUIT NRF52 FEATHER PINOUT



### OLED DISPLAY BLUE 128 X 64 (I2C)



12V Linear Actuator; 300 mm stroke;  
load 750 N; speed 10 mm/s