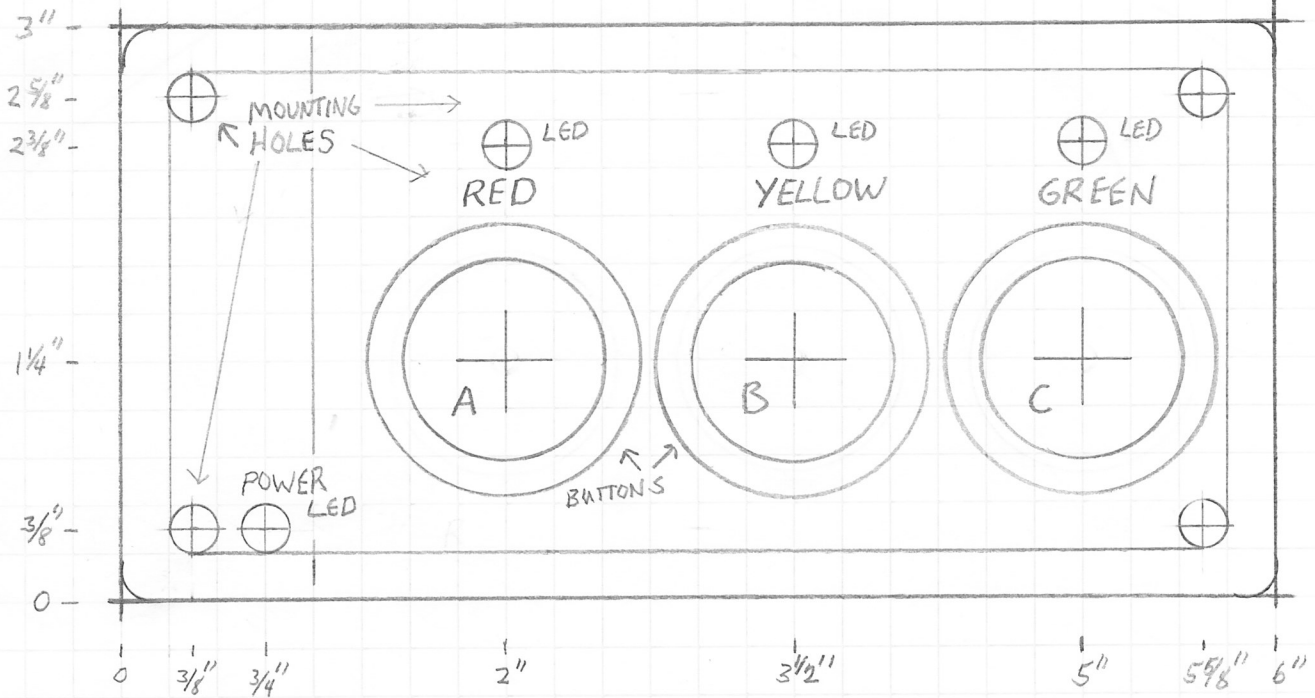


FULL SCALE LID TEMPLATE



DRILL 1 1/16" to 1 1/8" dia holes for buttons (outside dia about 1 7/16")

DRILL 1/4" dia holes for LEDs

USE mounting holes for alignment

USE 6" x 3" x 2" Radio Shack project enclosure (black plastic)

Bottom hole - drill 1/4" dia hole 3 3/4" from left & 3/4" from bottom
(This hole is for battery switch access)

FULL SCALE PROJECT BOX BOTTOM TEMPLATE

