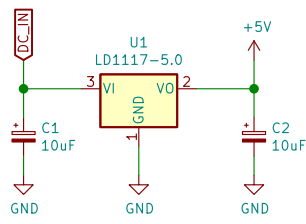
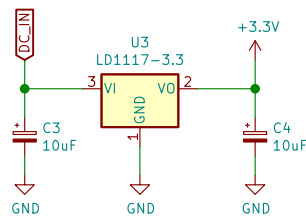


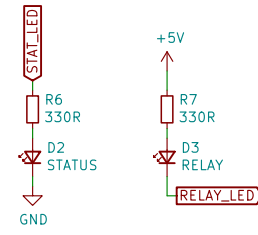
INPUT CONNECTOR / POWER SWITCH



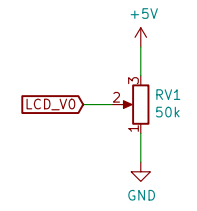
5V REGULATOR



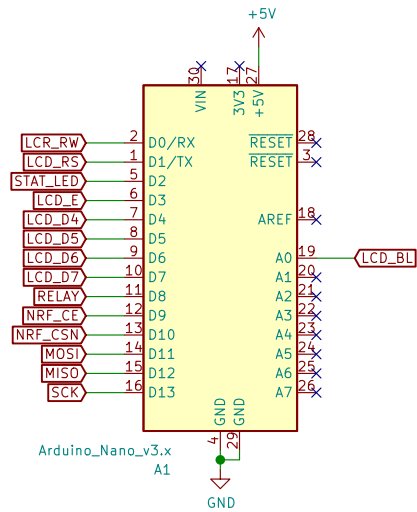
3.3V REGULATOR



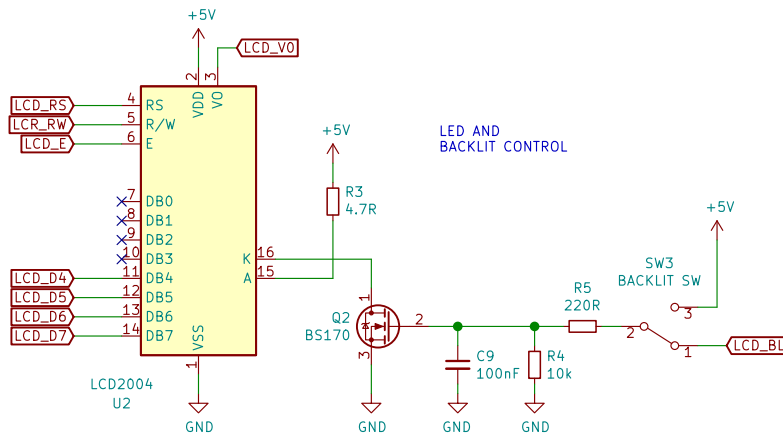
INDICATOR LEDES



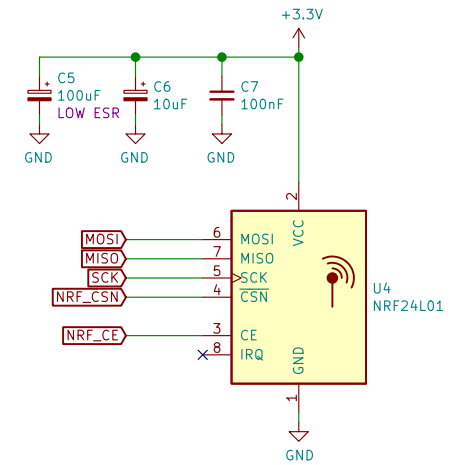
LCD CONTRAST CONTROL



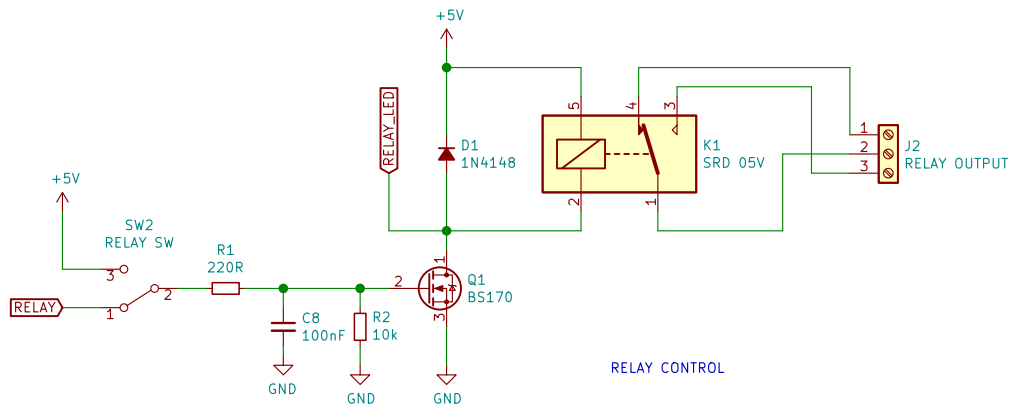
Arduino\_Nano\_v3.x  
A1



LED AND  
BACKLIT CONTROL



NRF24L TRANSCEIVER



RELAY CONTROL

CS2022

Ovidiu

Sheet: /  
File: PUMP CONTROLLER.sch

**Title: PUMP CONTROLLER**

Size: A4 Date: 2022-02-12

KiCad E.D.A. kicad (5.1.10)-1

Rev: A

Id: 1/1