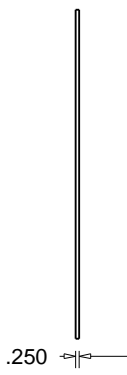
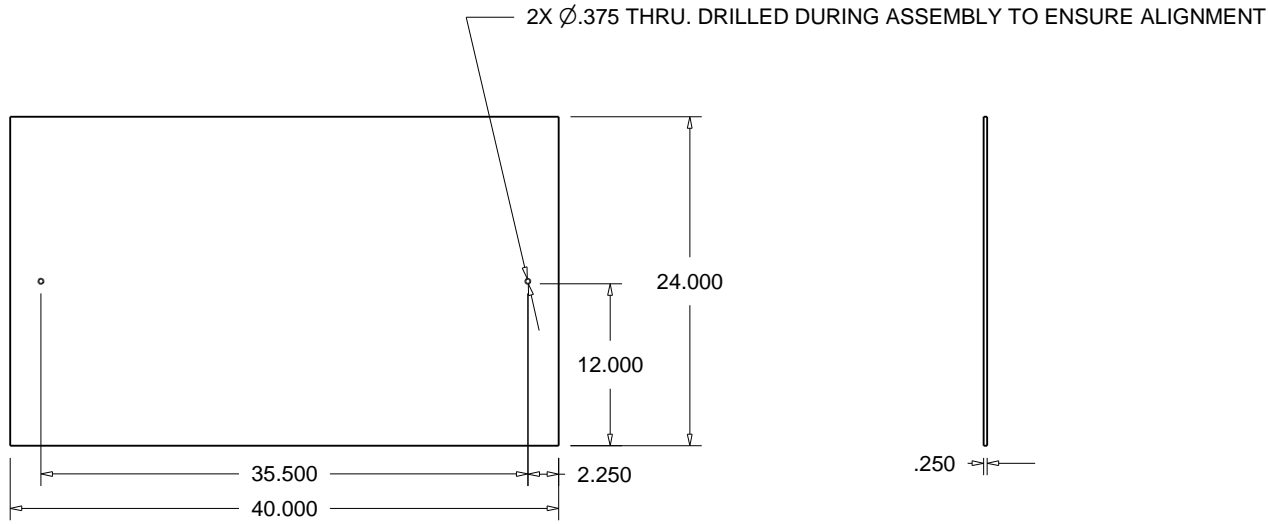


| Rev. | Description | Date | Author |
|------|-------------|------|--------|
| | | | |
| | | | |



(1) REQUIRED



Part Name: Sanded Pine Plywood .25 x 24 x 40

| | | |
|-----------|---|---------|
| Supplier: | Tolerances: 0.X 0.050 0.XX 0.010 0.XXX 0.004 | Part #: |
| Material: | | |
| | | |