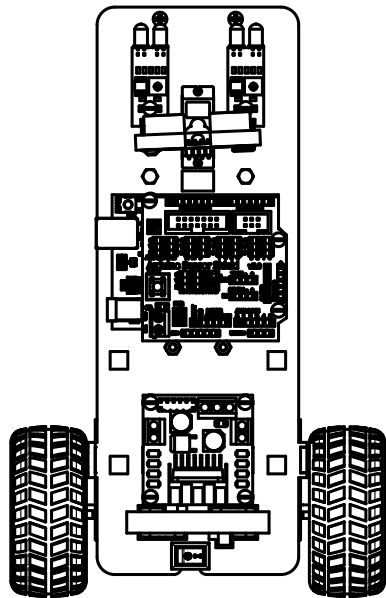
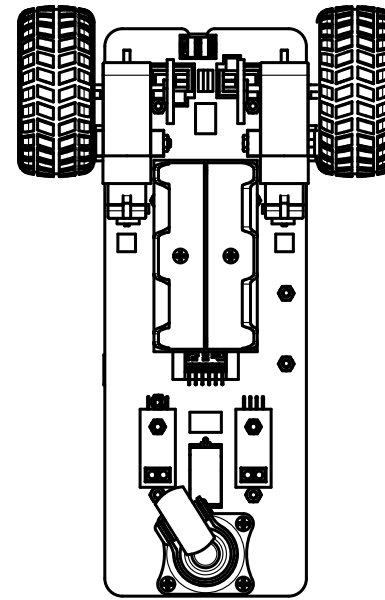


2

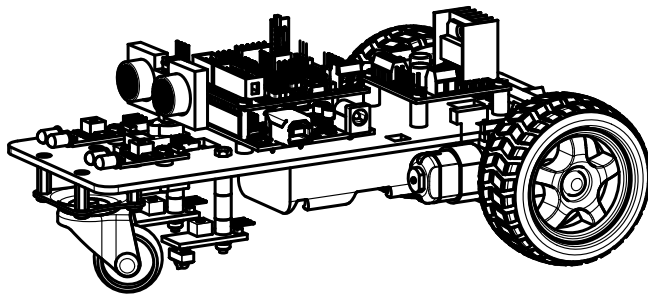
1



SCALE 1:3



SCALE 1:3



UNLESS OTHERWISE SPECIFIED,
DIMENSIONS ARE IN MILLIMETERS

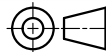
ANGULAR = ± °

SURFACE FINISH

DO NOT SCALE DRAWING

BREAK ALL SHARP EDGES AND
REMOVE BURRS

THIRD ANGLE PROJECTION



	NAME	DATE
DRAWN	CALEB FRENCH	04/22/2021
CHECKED		
APPROVED		
MATERIAL	FINISH	



CCMakers8_fun Inc.

TITLE

RoomBruh

SIZE	DWG NO.	REV.
A	1	
SCALE 1:2	WEIGHT	SHEET 1 of 4

2

1

B

B

A

A

2

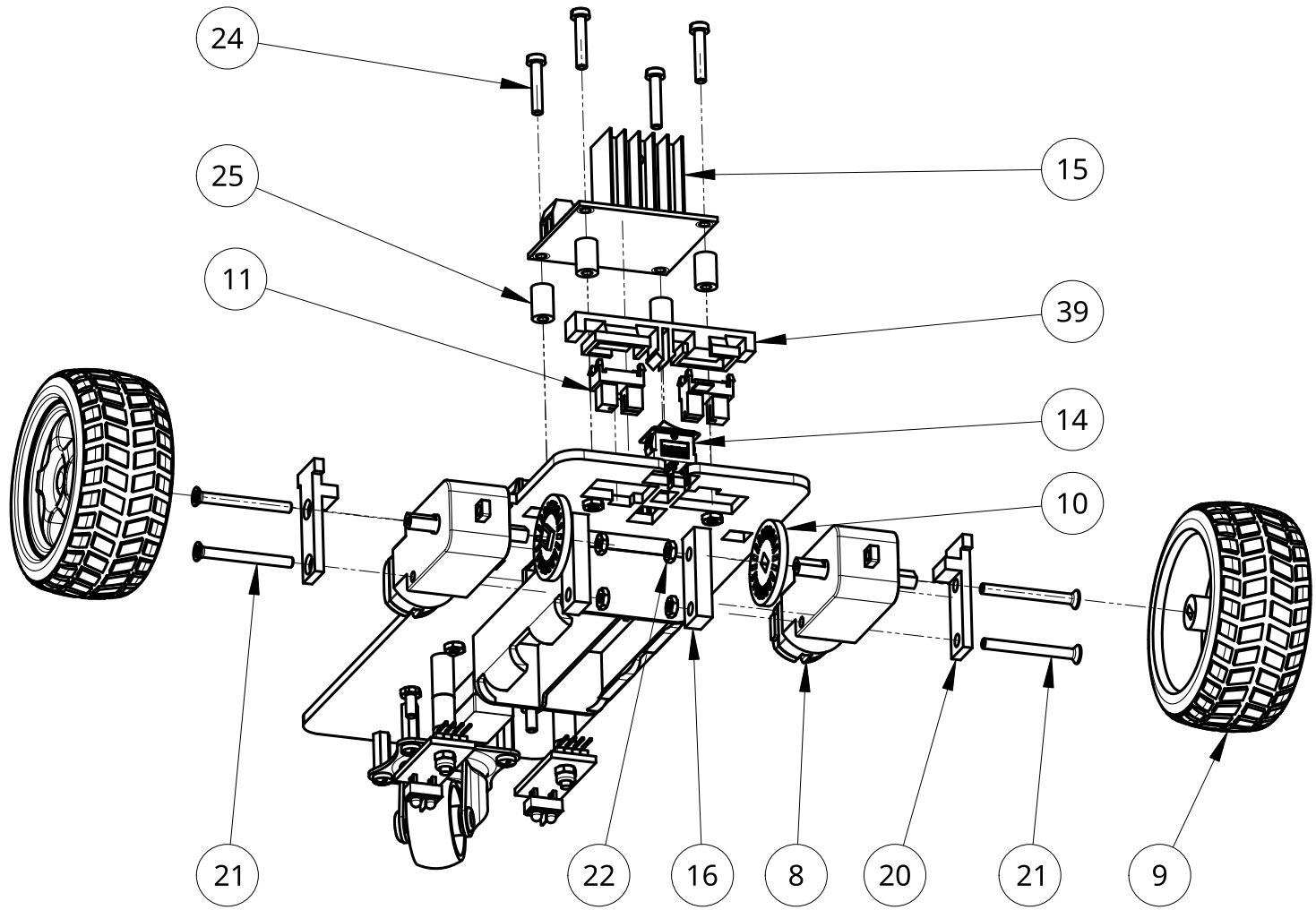
1

B

B

A

A



2

1

DWG NO.	2	SIZE	A	SCALE	1:2	SHEET	2 of 4	REV.	
---------	---	------	---	-------	-----	-------	--------	------	--

2

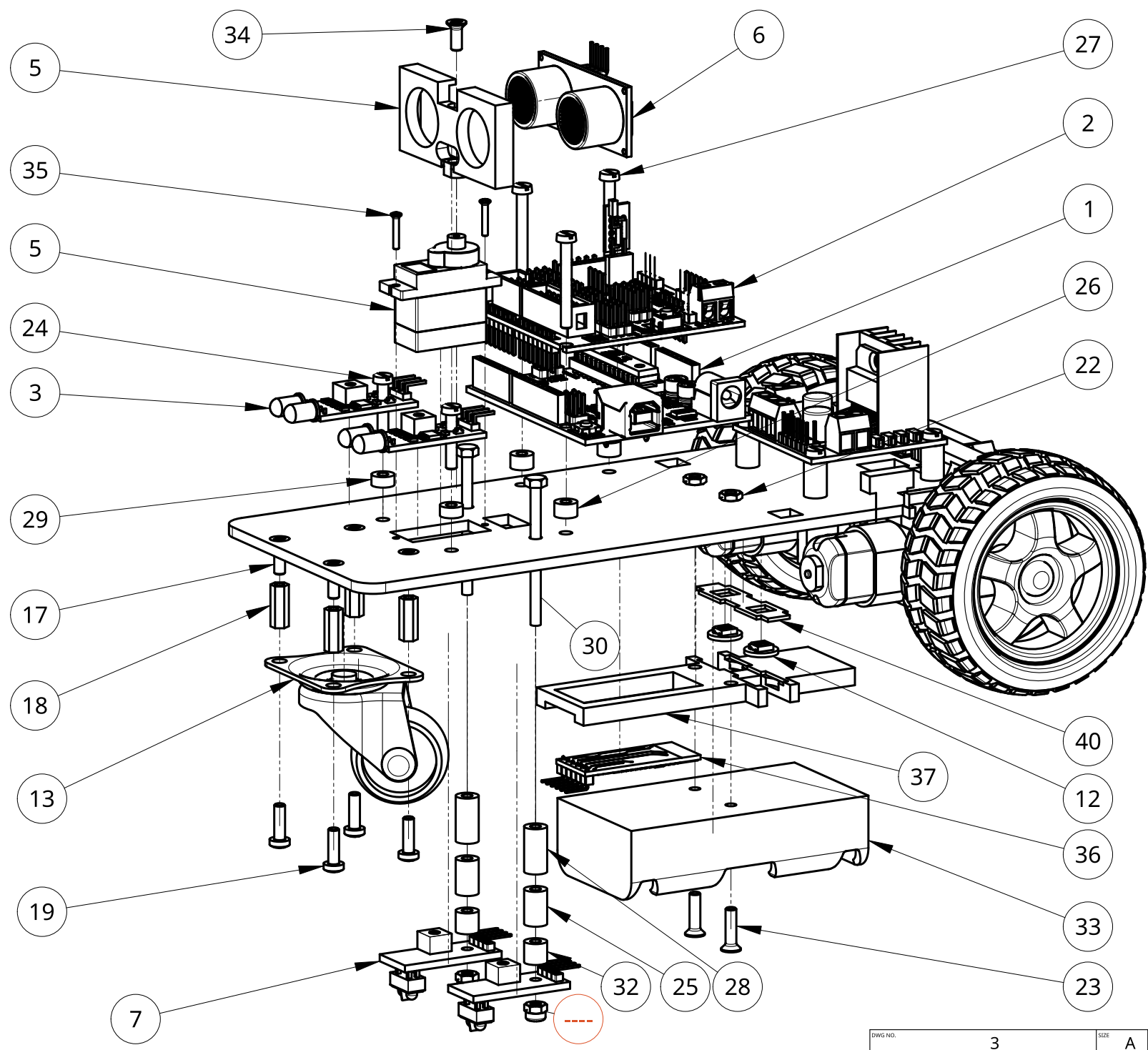
1

B

B

A

A



2

1

DWG. NO.	3	SIZE	A	SCALE	2:3	SHEET	3 of 4	REV.	
----------	---	------	---	-------	-----	-------	--------	------	--

2

1

Item	Quantity	Name	Material
1	1	Arduino UNO	N/A
2	1	Arduino R3 Sensor Shield	N/A
3	2	Infrared Obstacle Avoidance Sensor Module	N/A
4	1	Chasis	Acrylic
5	1	SG0 9G Micro Servo	N/A
6	1	HC-SR04-Ultrasonic Sensor	N/A
7	2	TCR5000	N/A
8	2	L298N motor	N/A
9	2	Wheel	N/A
10	2	Adafruit 3782 Encoder Disk	Nylon
11	2	Opto-interruptor	N/A
12	2	WS2812 LED	N/A
13	1	Caster Wheel	N/A
14	1	Power switch	N/A
15	1	L298N Motor Driver	N/A
16	2	Motor Sliding Mount	PLA
17	4	PH Countersunk flat head screw M3x0.5 x 10	Stainless Steel
18	4	Hex Fastener	Stainless Steel
19	4	PH Pan head screw M3x0.50 x 10	Stainless Steel
20	2	Motor Side Mount	PLA
21	4	PH Countersunk flat head screw M3x0.5 x 30	Stainless Steel
22	15	Hex thin nut grade A & B M3	Stainless Steel

Item	Quantity	Name	Material
23	2	PH Countersunk flat head screw M3x0.5 x 12	Stainless Steel
24	6	Slotted cheese head screw M3x0.50 x 16	Stainless Steel
25	6	Nylon Spacer (10mm)	Nylon
26	3	Nylon Spacer (4mm)	Nylon
27	3	Slotted cheese head screw M3x0.50 x 25	Stainless Steel
28	2	Nylon Spacer (13mm)	Nylon
29	2	Nylon Spacer (3mm)	Nylon
30	2	Hex Screw 3m (40mm)	Stainless Steel
31	2	Prevailing torque nut M3x0.5	Stainless Steel
32	2	Nylon Spacer (6mm)	Nylon
33	1	18650 dual battery holder	Nylon
34	1	PH Countersunk flat head screw M3x0.5 x 8	Stainless Steel
35	2	PH Raised countersunk head screw M1.6x0.35 x 10	Stainless Steel
36	1	HC-05	N/A
37	1	Bluetooth mount	PLA
38	1	Voltage divider	N/A
39	1	Opto mount	PLA
40	1	LED cover	PLA

2

1