

8 7 6 5 4 3 2 1

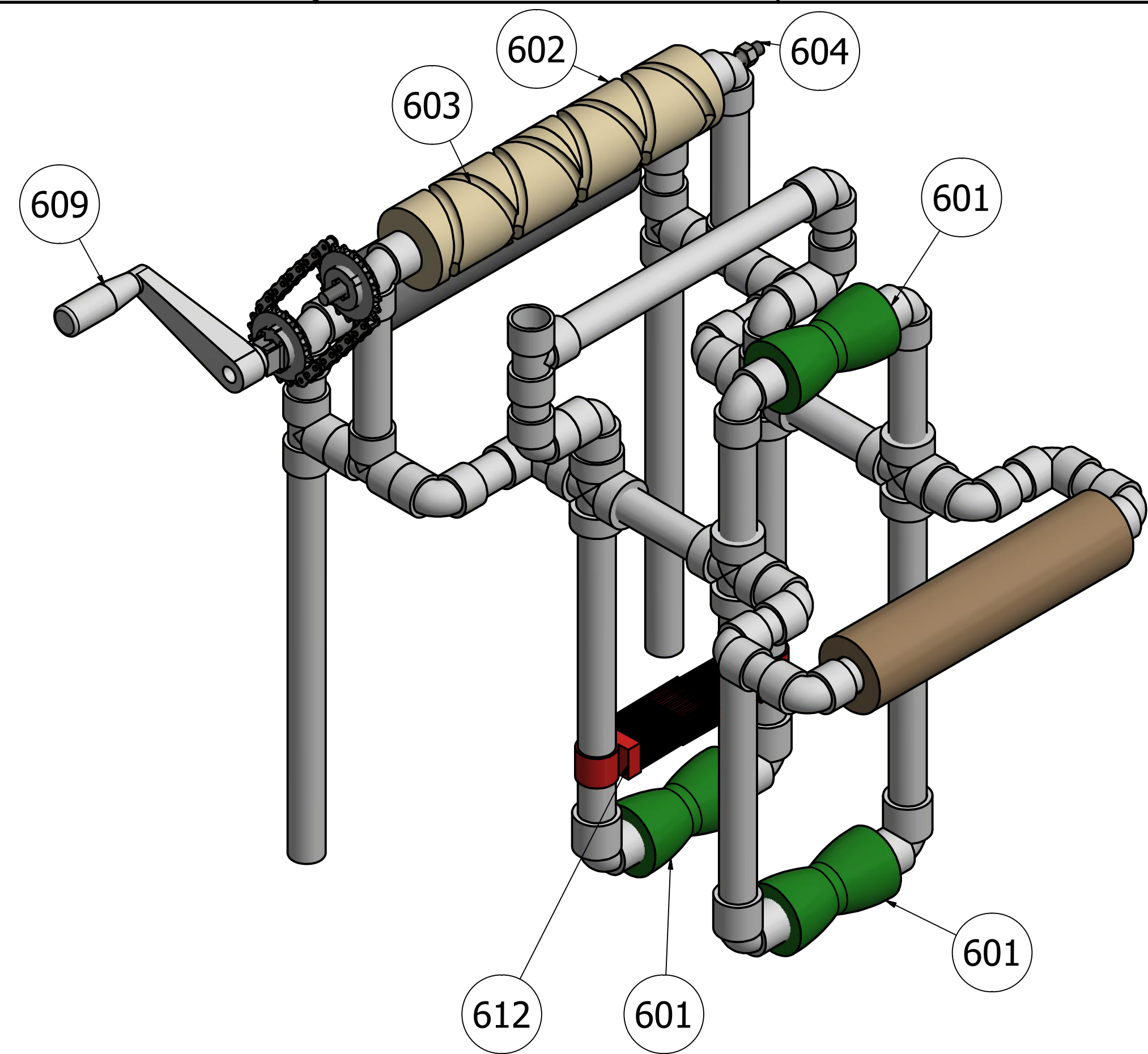
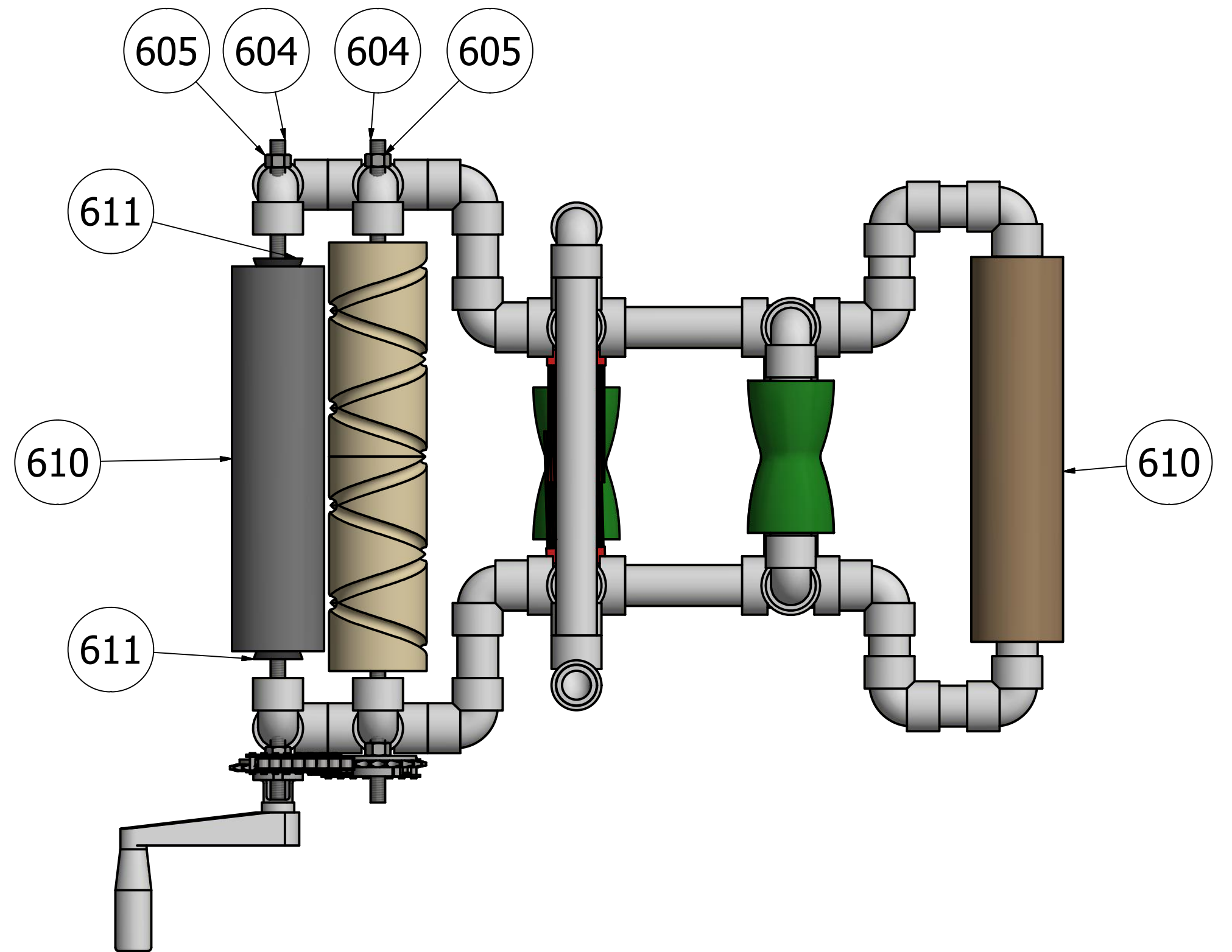
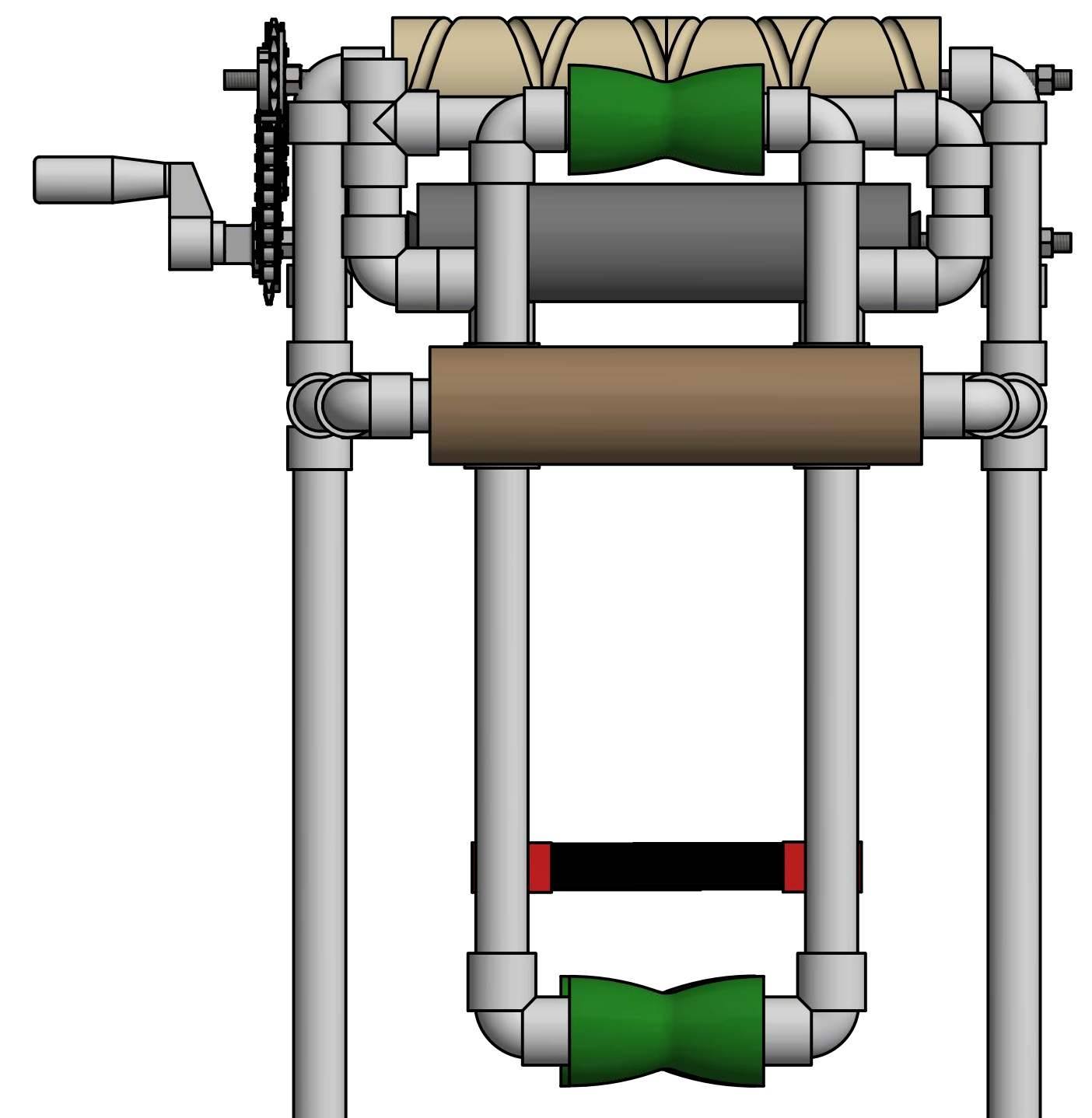
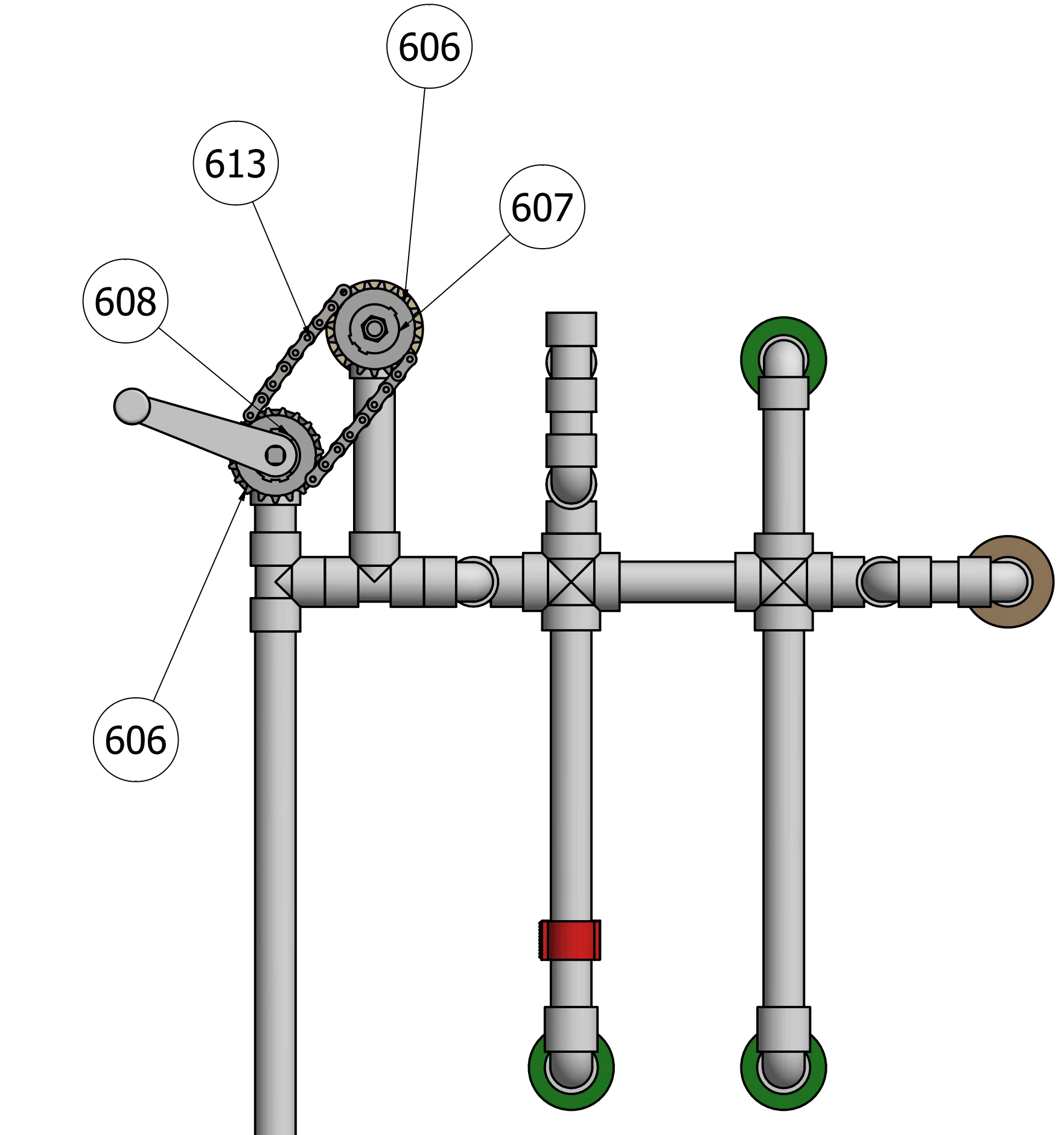


TABLE		
Part	Type	QTY
601	Beveled Roller	3
602	Grooved Roller w/ pegs	1
603	Grooved Roller w/o pegs	1
604	3/8" All thread	2 x 17"
605	3/8" Hex Nut	10
606	Bike Sprocket	2
607	Sprocket to allthread attachment	1
608	Handle to Allthread attachment	1
609	Handle	1
610	Filter Cores	2
611	1 9/16 in. x 3/8 in. Rubber Stopper	2
612	Nylon Brushes	2
613	Shortened Bike Chain	1



DRAWN Evan McDonald	11/5/2019	Rewind Filters	
CHECKED Donald Price	11/13/2019	TITLE	
QA		Rewind Filters Final Assembly (No Bucket)	
MFG Miles Pappas	11/27/2019	SIZE D	DWG NO 100-101
APPROVED Sal Coluccio		SCALE 1 / 3	REV
		SHEET 1 OF 1	

8 7 6 5 4 3 2 1