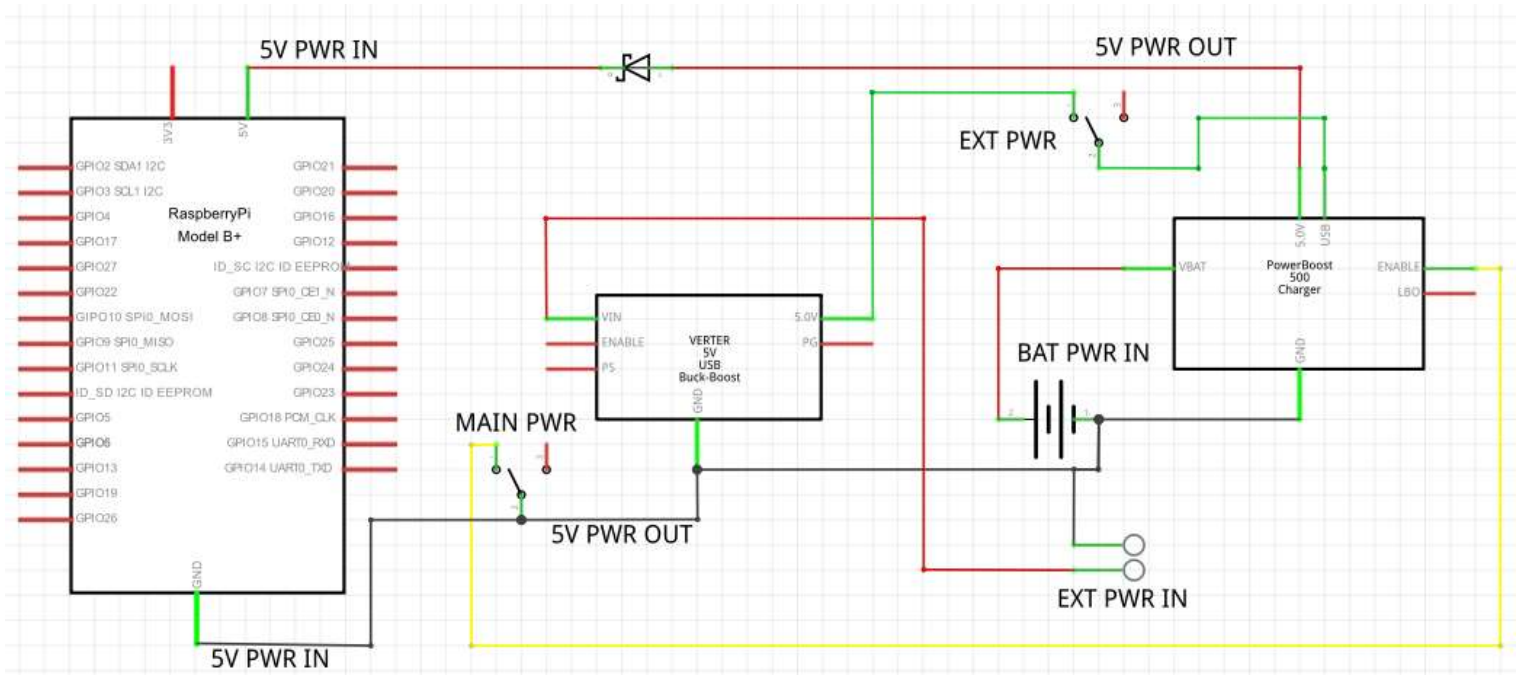


Raspberry Pi PowerHAT

by DylanD581

Schematic



Wiring Diagram

