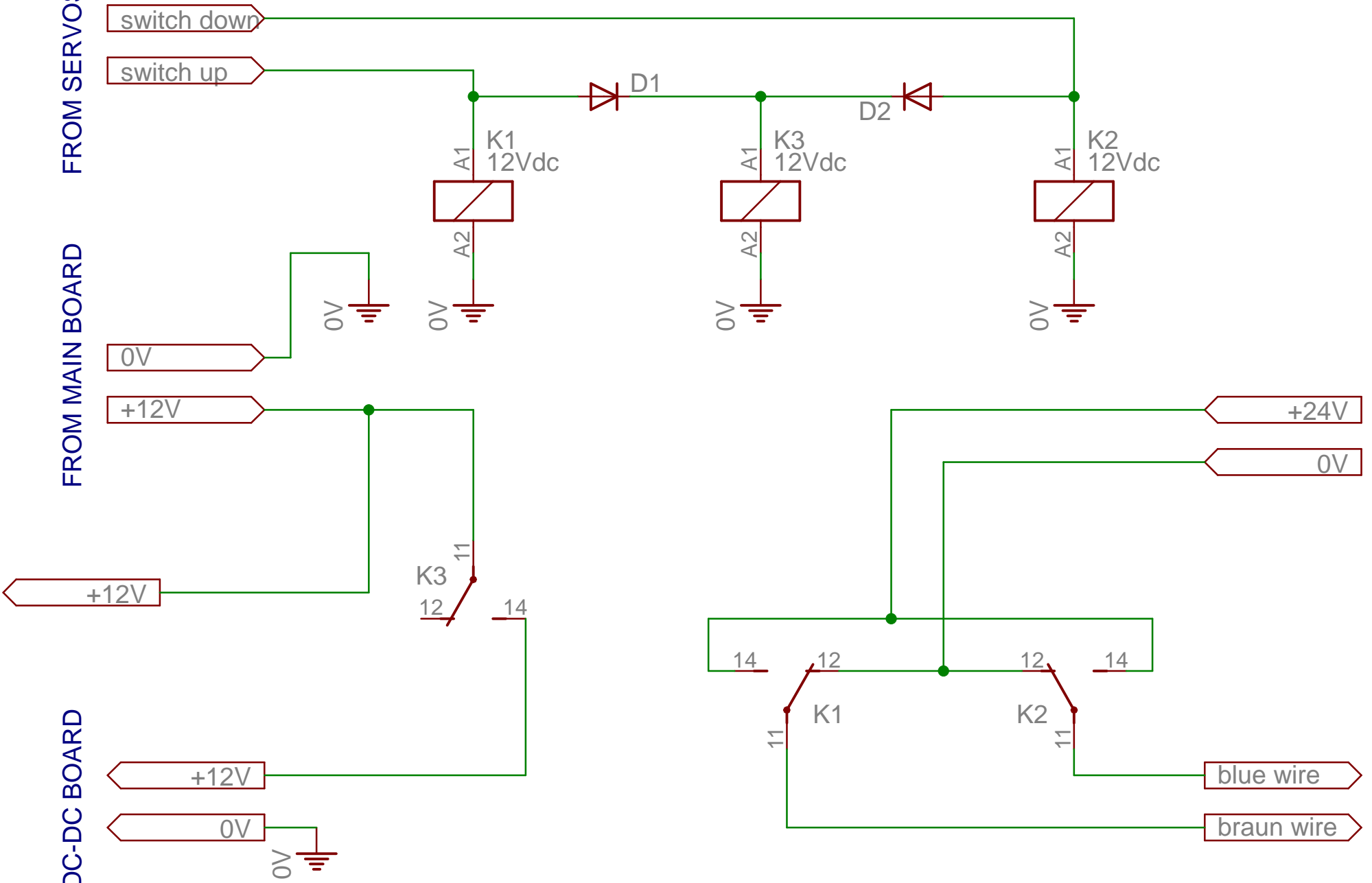


TO SERVOS BOARD

TO DC-DC BOARD

FROM MAIN BOARD

FROM SERVOS BOARD



FROM DC-DC BOARD

TO ELECTRIC JACK