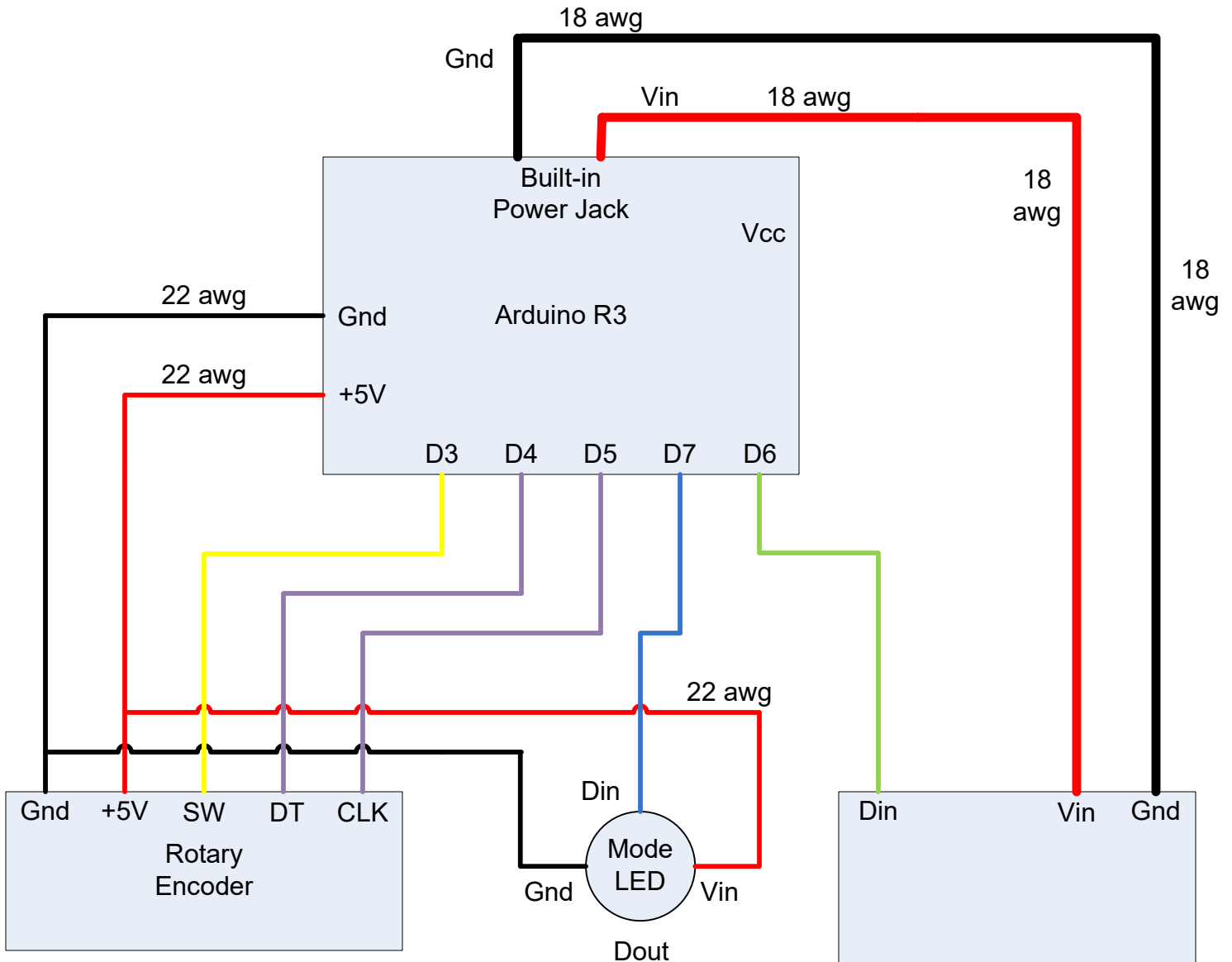


# LED Cube Wiring Diagram for using the Built-in Power Jack



Follow this wiring for an Arduino R3 when you want to use the built-in power jack. The circuitry on the Arduino cannot handle the load of the LED Cube so you must solder wires to the positive (tip) and negative (ring) of the power jack, on the bottom of the board. The Mode LED and Rotary Encoder can be powered by a +5V pin and a Gnd pin from the Arduino board. Use 18 awg wire to power the LED cube. All other wiring uses 22-28 awg wire.