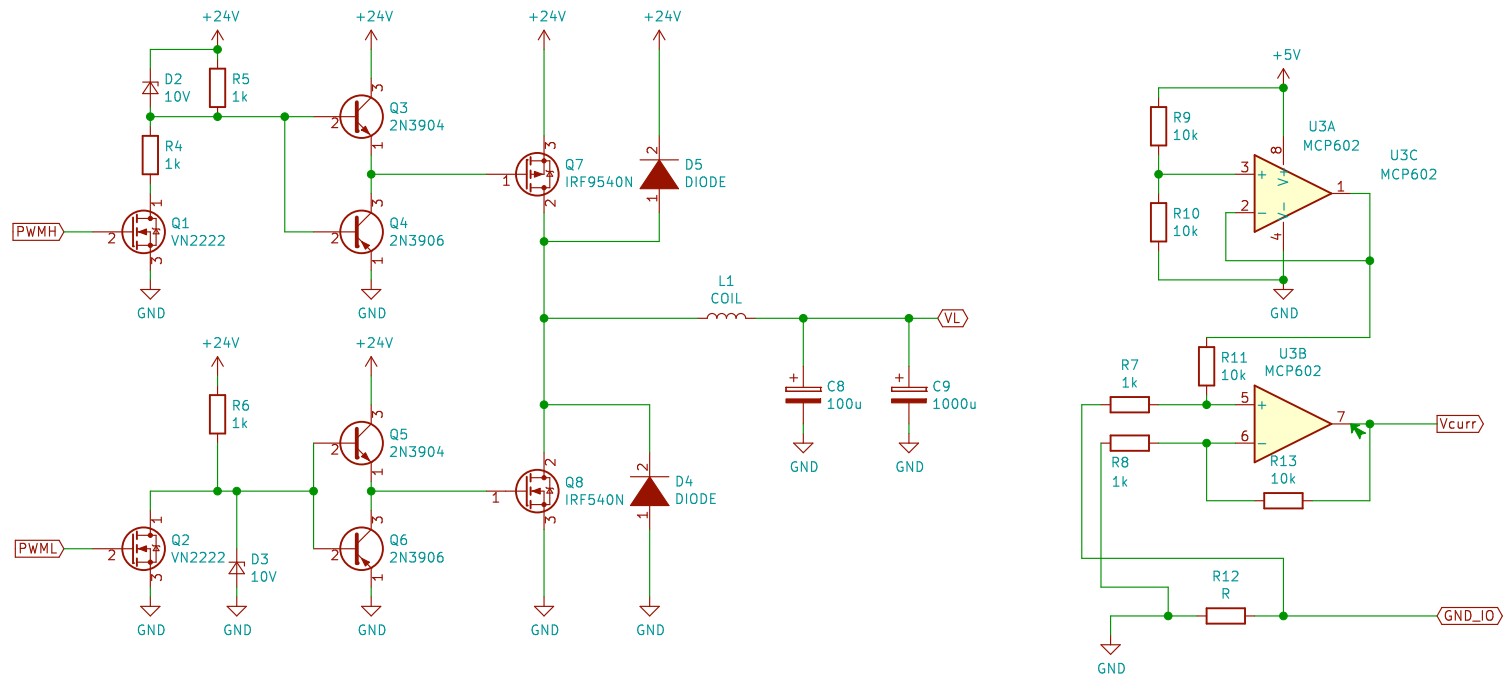


Sheet: switch

File: switch.sch

Sheet: /	
File: regulator.sch	
Title: Switch mode power supply	
Size: A4	Date:
KiCad E.D.A. kicad (5.0.1-3-g963ef8bb5)	Rev: Id: 1/2



Sheet: /switch/			
File: switch.sch			
Title: Switch mode power supply			
Size: A4	Date:	Rev:	
KiCad E.D.A. kicad (5.0.1-3-g963ef8bb5)		Id: 2/2	