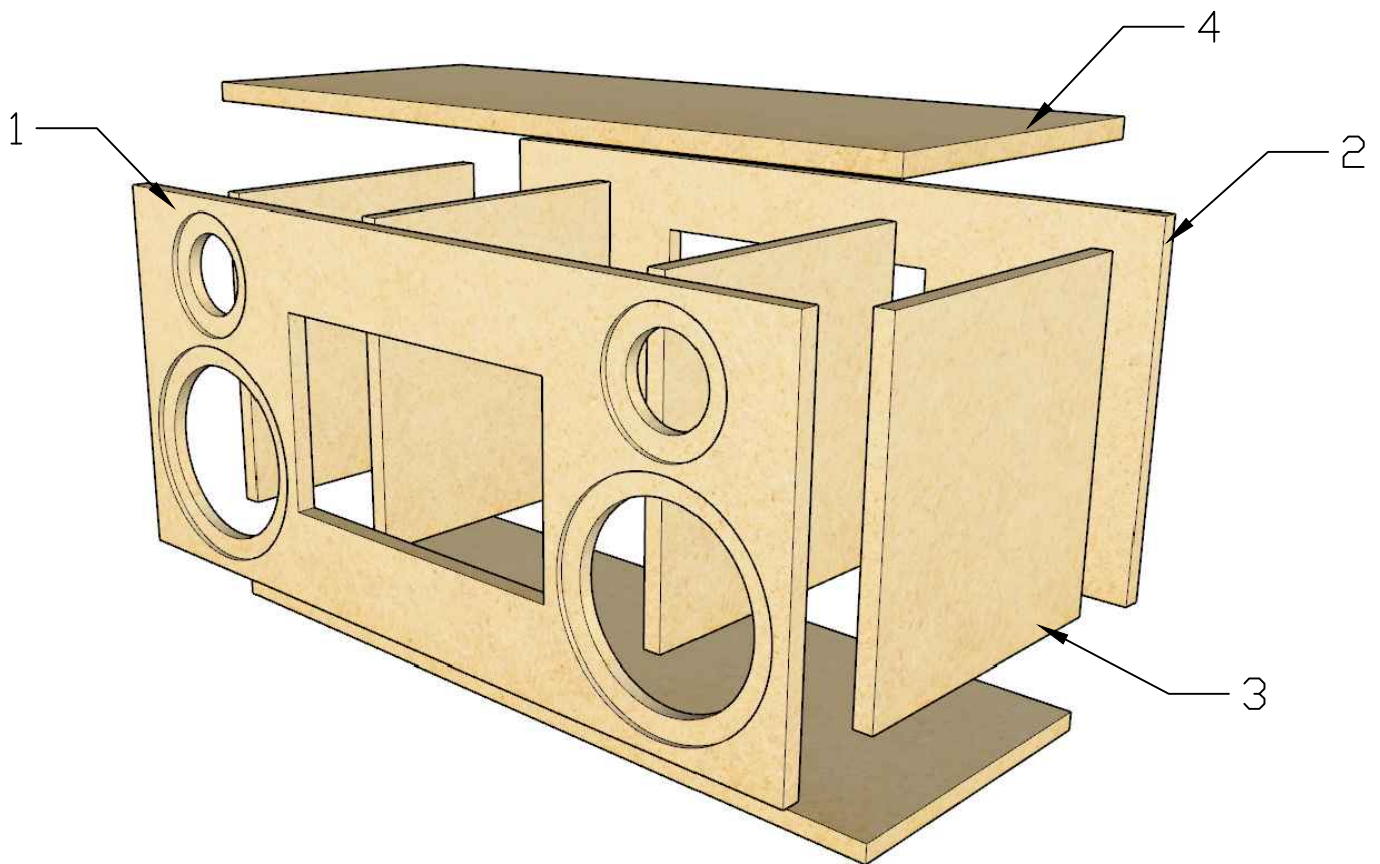
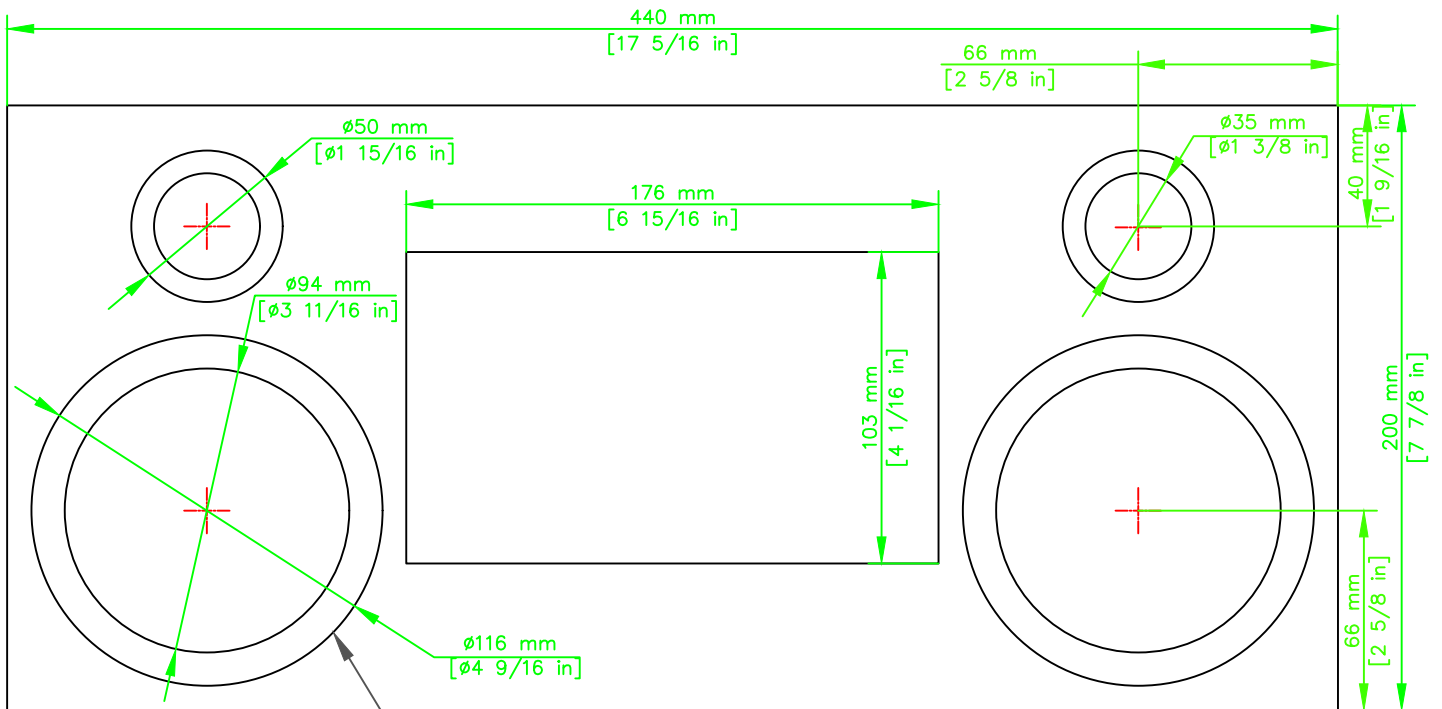
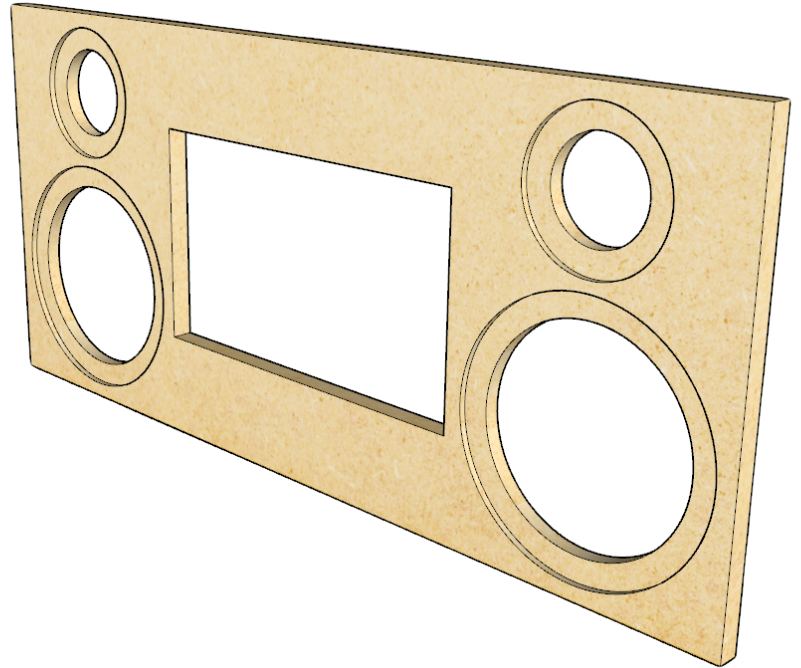


# Portable Multimedia Speaker Plans

ITEM NO.	PART NAME	QTY.
1	Front	1
2	Back	1
3	Side	4
4	Top/bottom	2

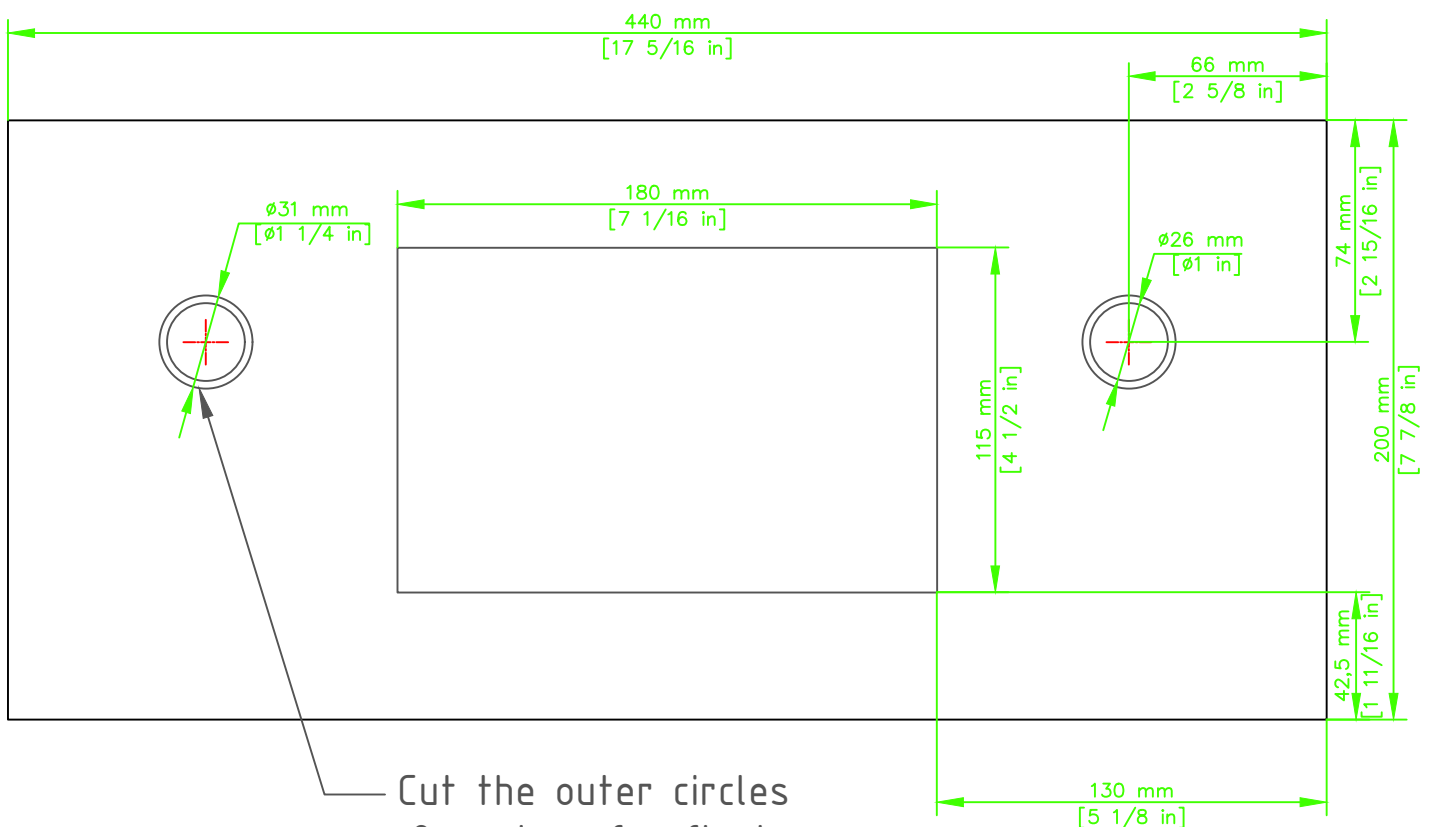
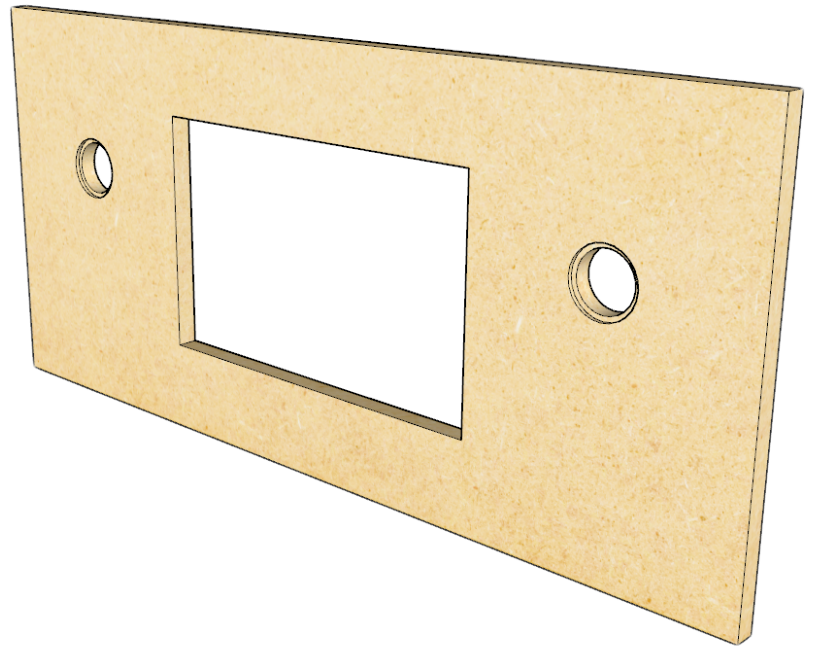


# Part name: Front



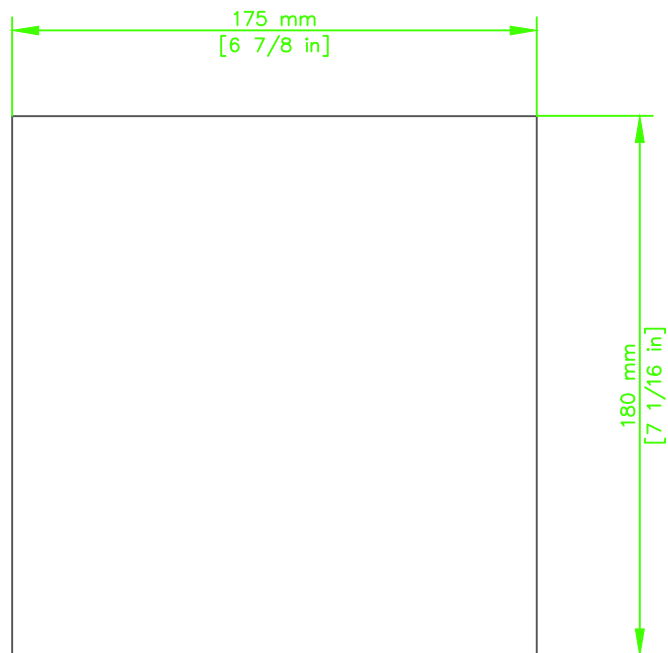
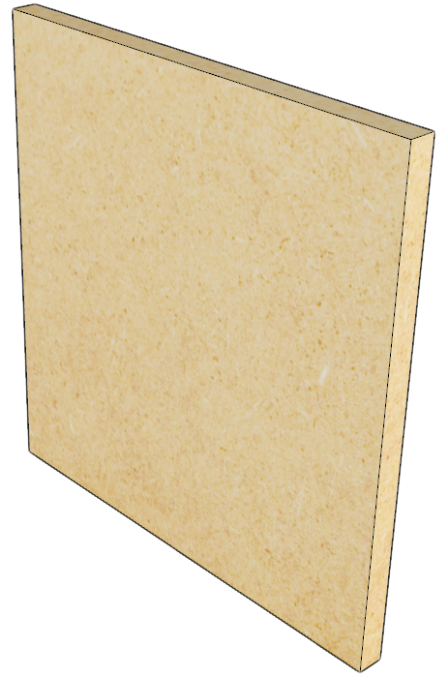
Cut the outer circles  
4mm deep for flush  
mounting of the speakers

# Part name: Back



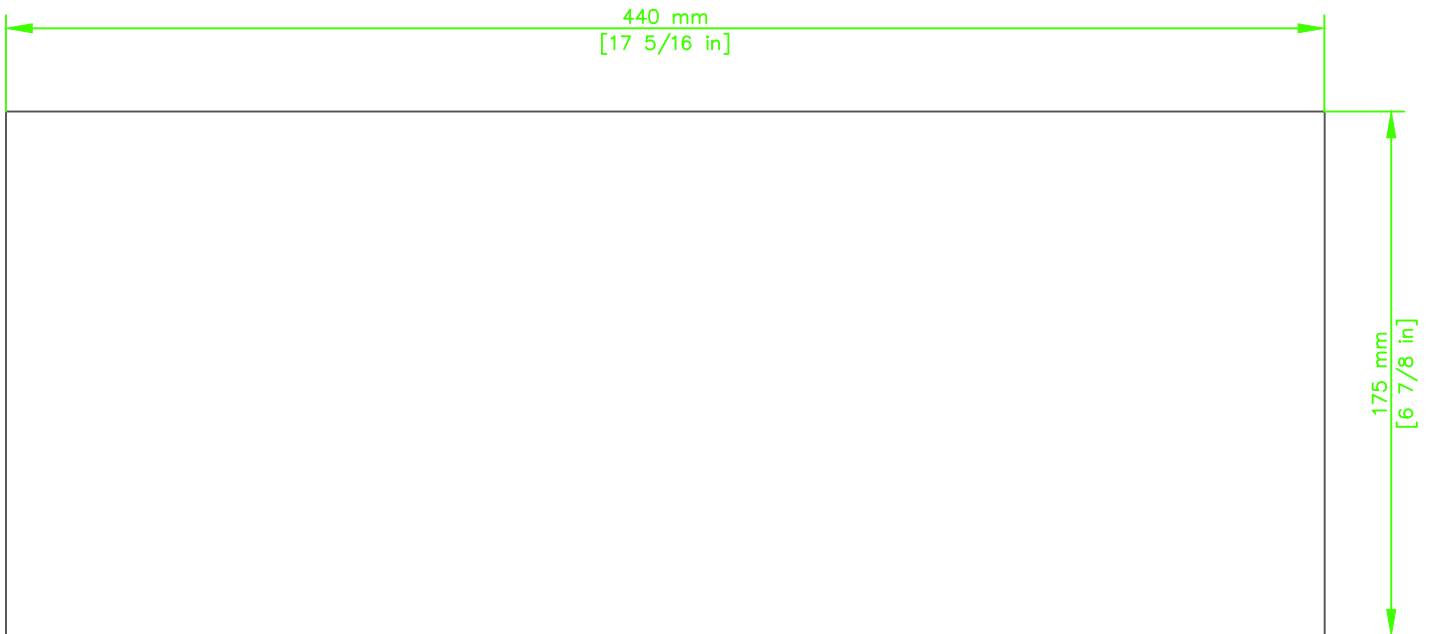
Cut the outer circles  
2mm deep for flush  
mounting the port

# Part name: Side





# Part name: Top/bottom



MATERIAL:  
10mm [3/8 in] MDF

DRAWN BY:  
Donny Terek

YOUTUBE CHANNEL:  
[youtube.com/c/DonnyTerek](https://www.youtube.com/c/DonnyTerek)

SHEET  
6 OF 7

# Part name: Control panel

