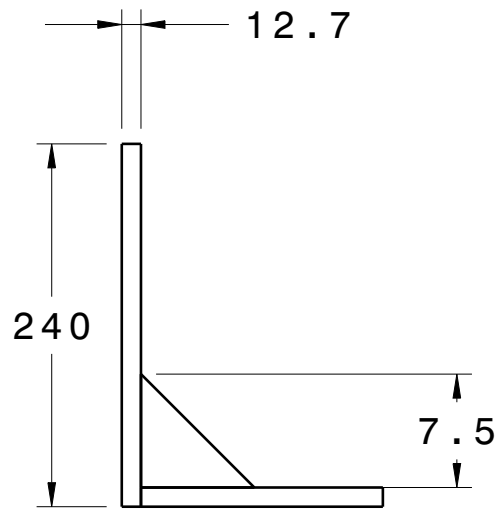
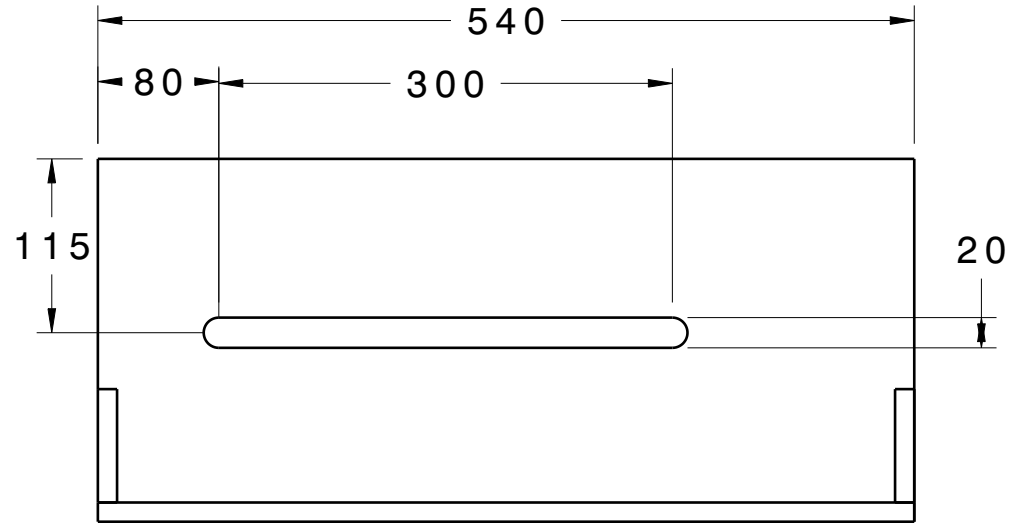


Top view
Scale: 1:5



Left view
Scale: 1:5



Front view
Scale: 1:5

#	DESCRIPTION	MADE BY	DATE	VERIFICATION
2	---	---	---	---
1	---	---	---	---
REVISIONS				

NOTES ---	GENERAL TOLERANCES X.XXX ±0.005" FRACTION ±1/16" ANGLE ±0.5°		PROJECT OpenBraille	
	MATERIALS PLYWOOD		DRAWING Plates	
	FINI DE SURFACE -- µm		NUMBER 1	
	VERIFICATION ---		DESIGNER Carlos Campos	UNITS mm

SCALE ---
