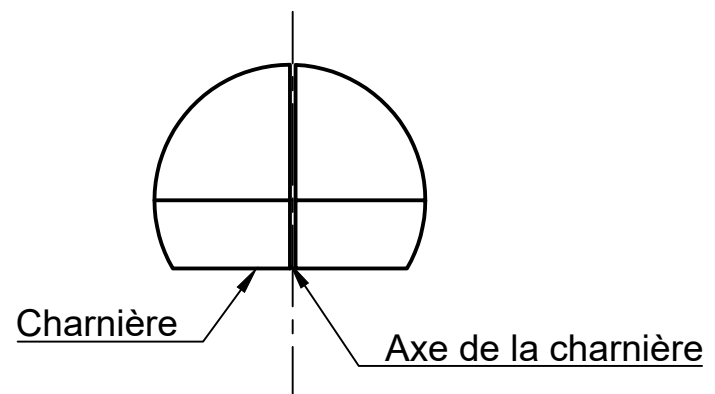


C (1:2)



Dept.	Technical reference	Created by Innokick	20.01.2022	Approved by
		Document type	Document status	
		Title Long fun	DWG No.	
Rev.	Date of issue 20.01.2022	Sheet 1/1		