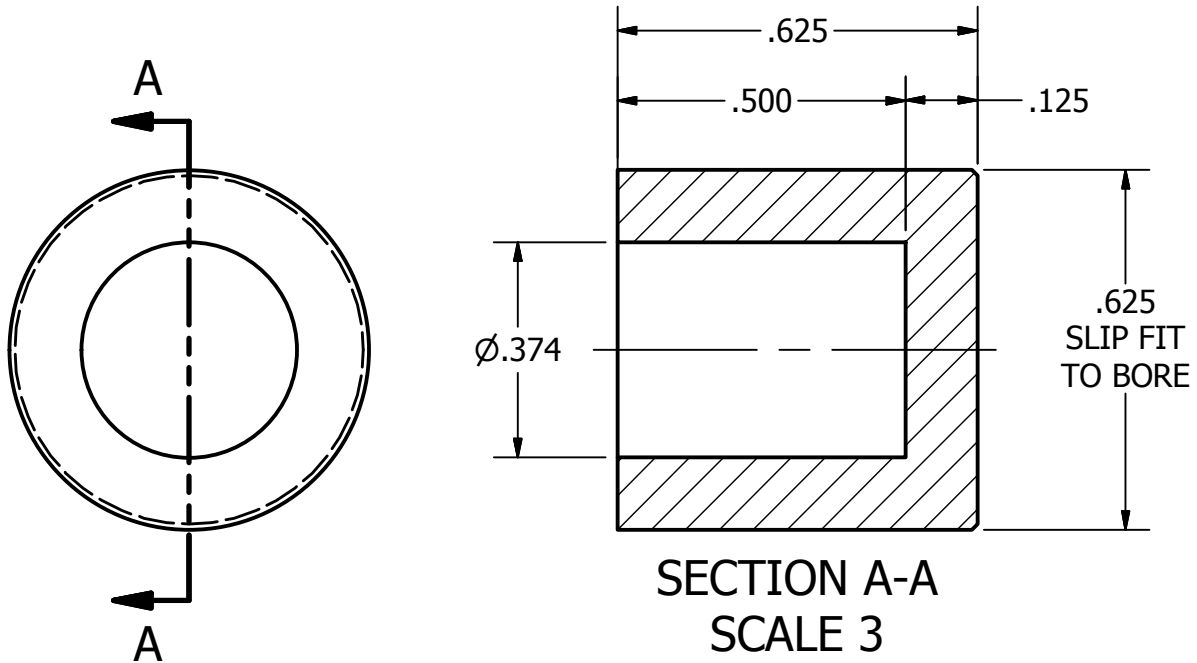


PARTS LIST			
ITEM	QTY	PART NUMBER	DESCRIPTION
1	1	Piston	MATERIAL: BRASS



DRAWN Rob	5/12/2017	TITLE		
CHECKED				
QA				
MFG				
APPROVED				
		SIZE A	DWG NO Piston	REV
		SCALE		SHEET 1 OF 1