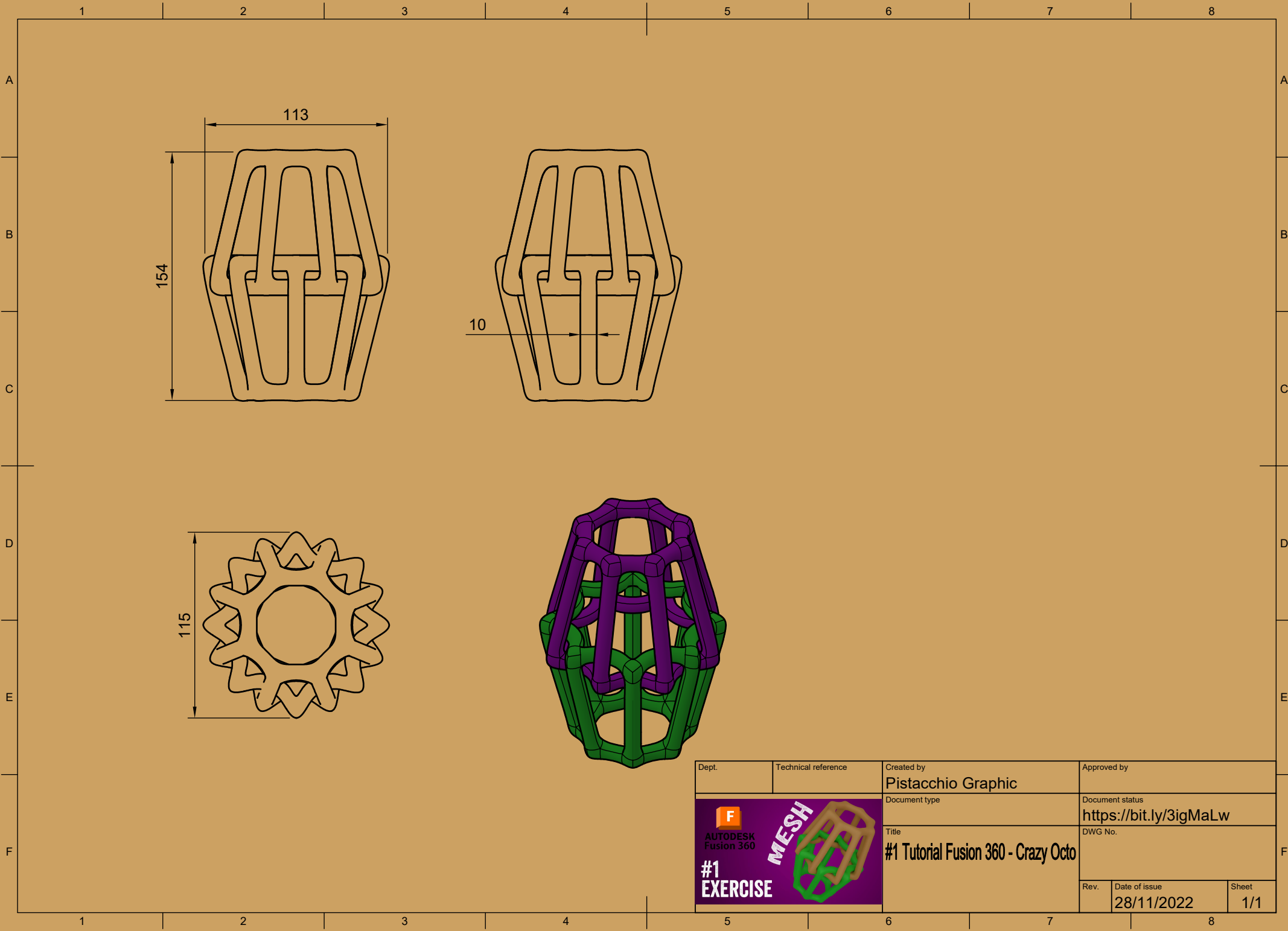

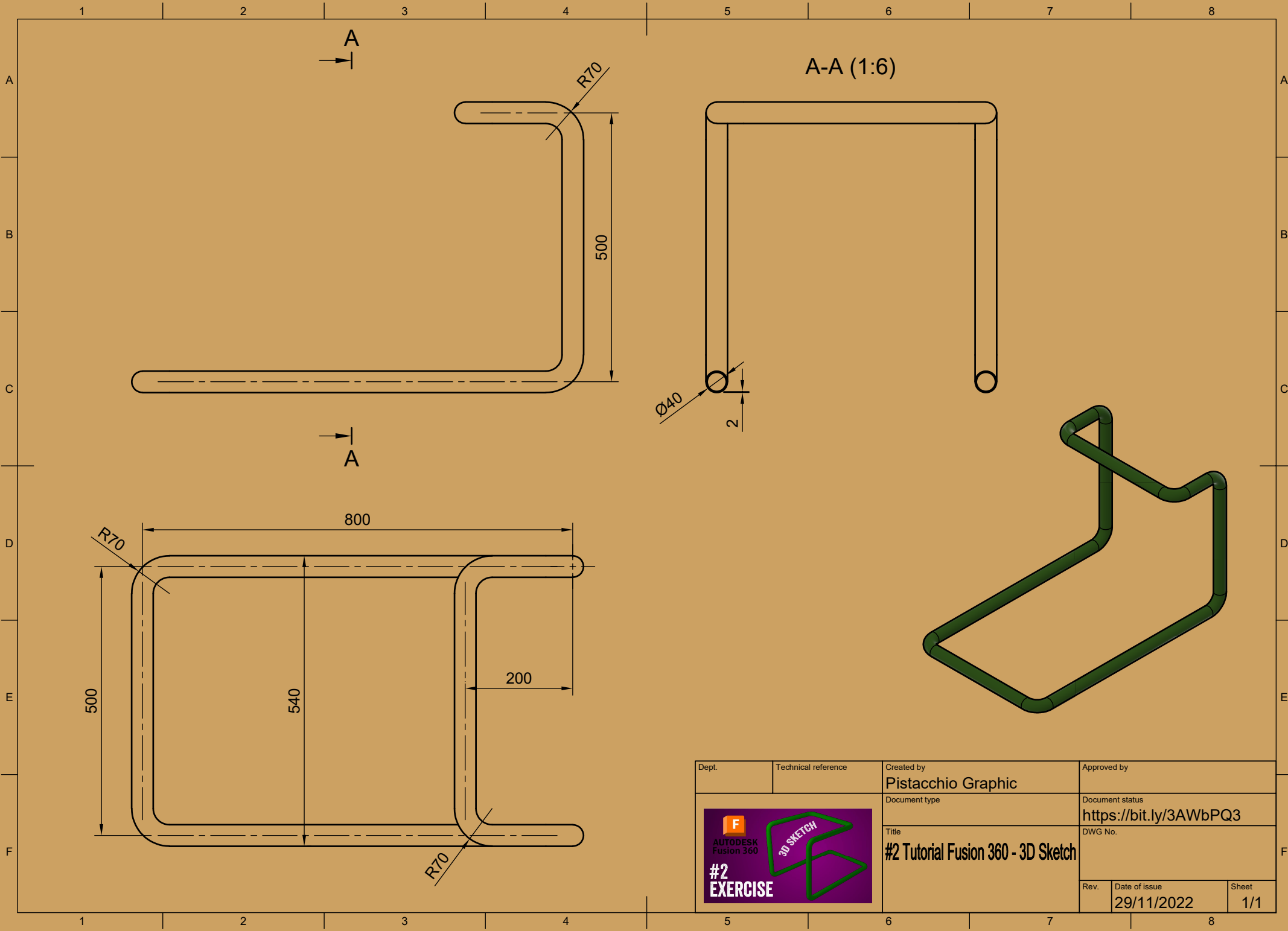



САРА

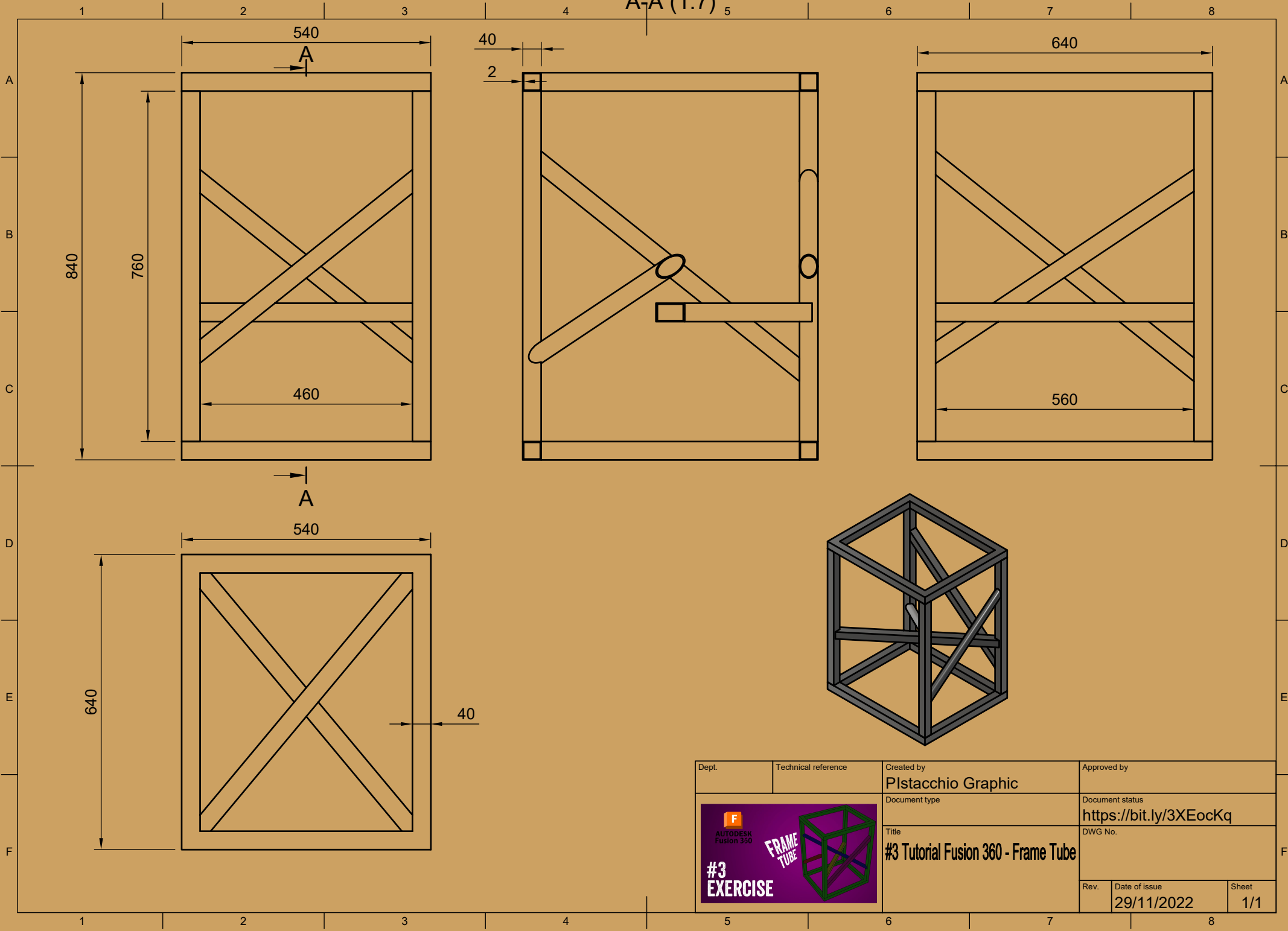


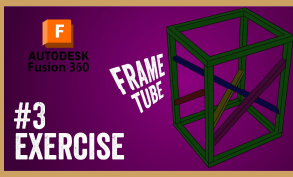
Dept.	Technical reference	Created by Pistacchio Graphic	Approved by
		Document type	Document status https://bit.ly/3igMaLw
		Title #1 Tutorial Fusion 360 - Crazy Octo	
Rev.	Date of issue 28/11/2022	Sheet 1/1	

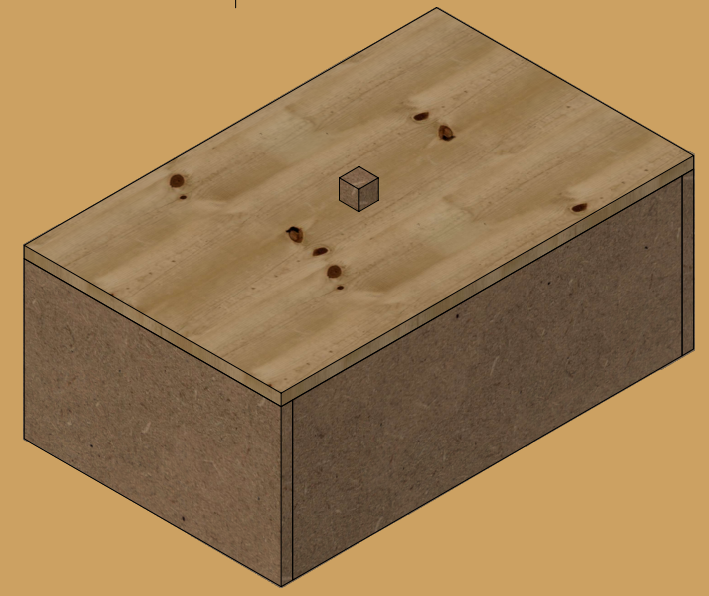
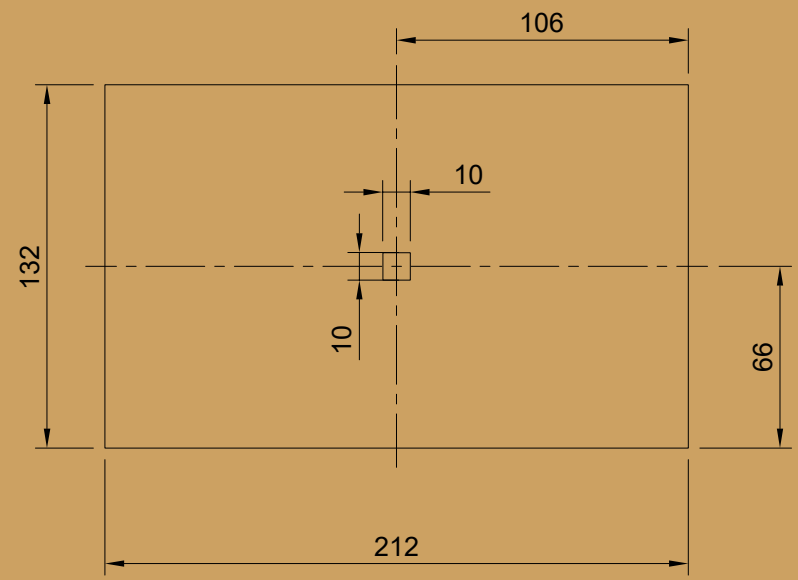
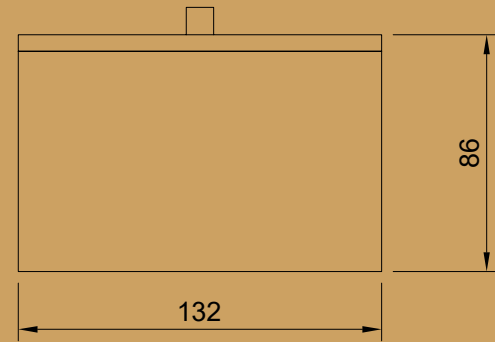
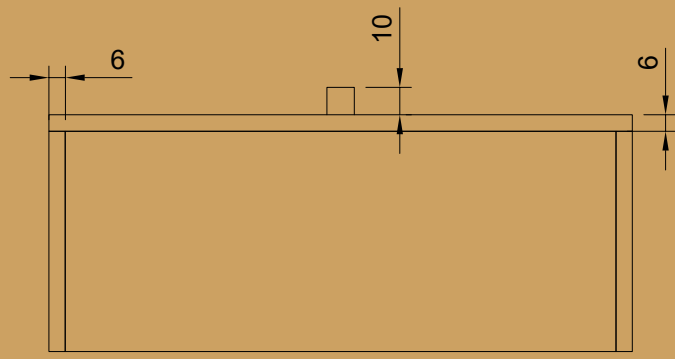



Dept.	Technical reference	Created by Pistacchio Graphic	Approved by
		Document type	Document status https://bit.ly/3AWbPQ3
		Title #2 Tutorial Fusion 360 - 3D Sketch	DWG No.
Rev.	Date of issue 29/11/2022	Sheet 1/1	

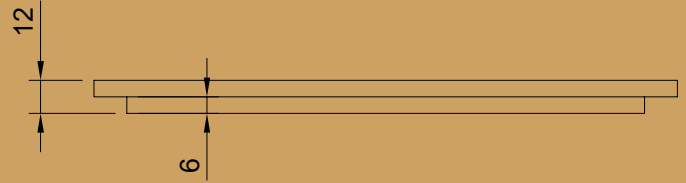
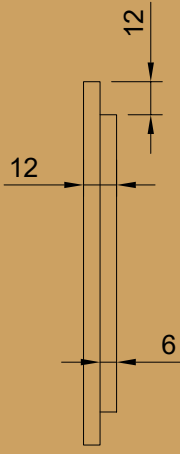
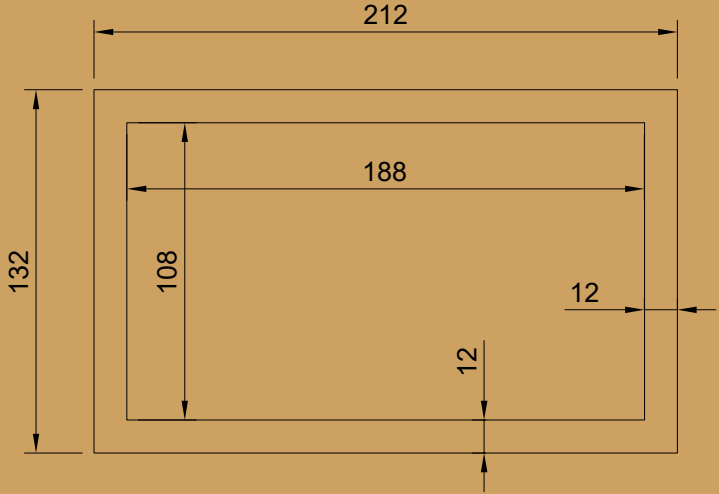
A-A (1:7)



Dept.	Technical reference	Created by Pistacchio Graphic	Approved by
		Document type	Document status https://bit.ly/3XEocKq
		Title #3 Tutorial Fusion 360 - Frame Tube	DWG No.
Rev.	Date of issue 29/11/2022	Sheet 1/1	



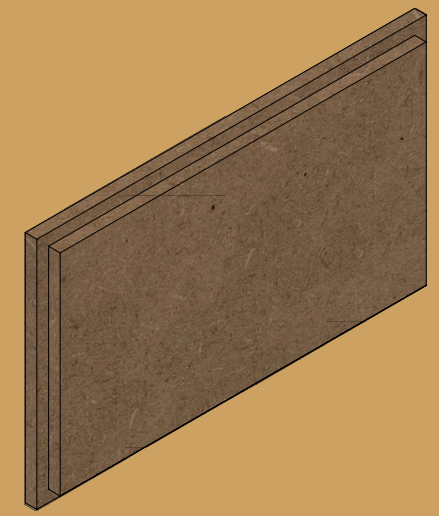
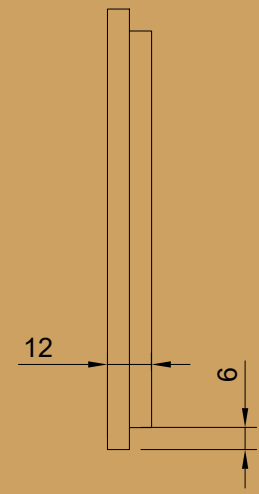
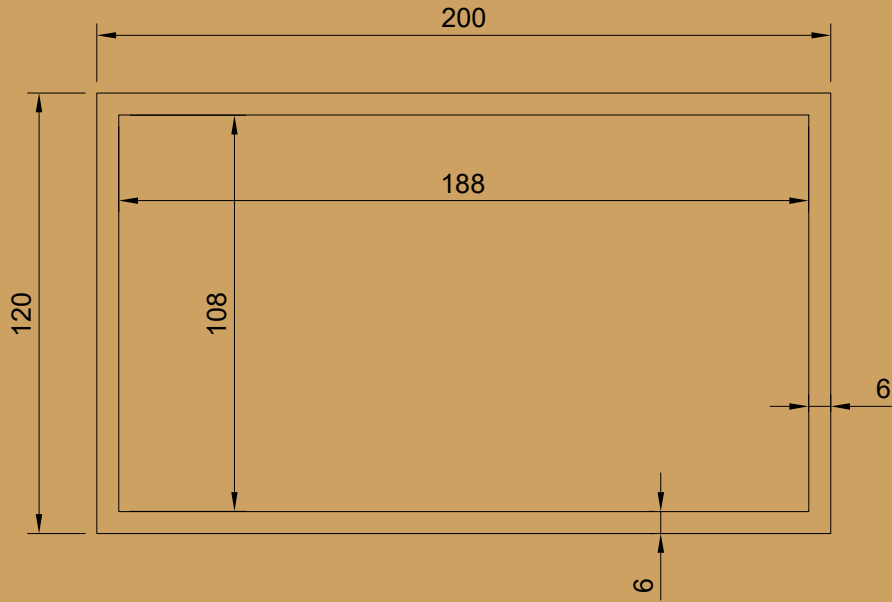
Dept.	Technical reference	Created by Pistacchio Graphic	Approved by
		Document type	Document status https://bit.ly/3Fxxa1O
		Title #4 Tutorial Fusion 360 - Simple Box	DWG No.
Rev.	Date of issue 30/11/2022	Sheet 1/1	



Dept.	Technical reference	Created by Gustavo Grigio 29/11/2022	Approved by	
		Document type Tampa	Document status	
		Title simple box	DWG No.	
		Rev.	Date of issue	Sheet 1/1

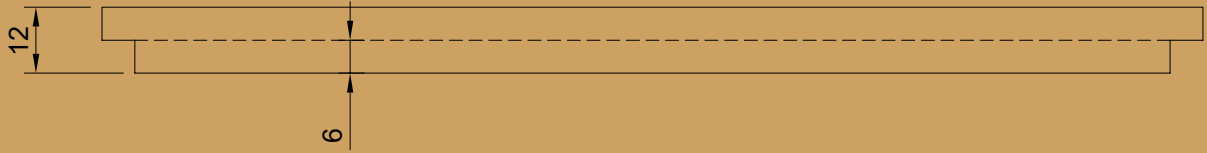
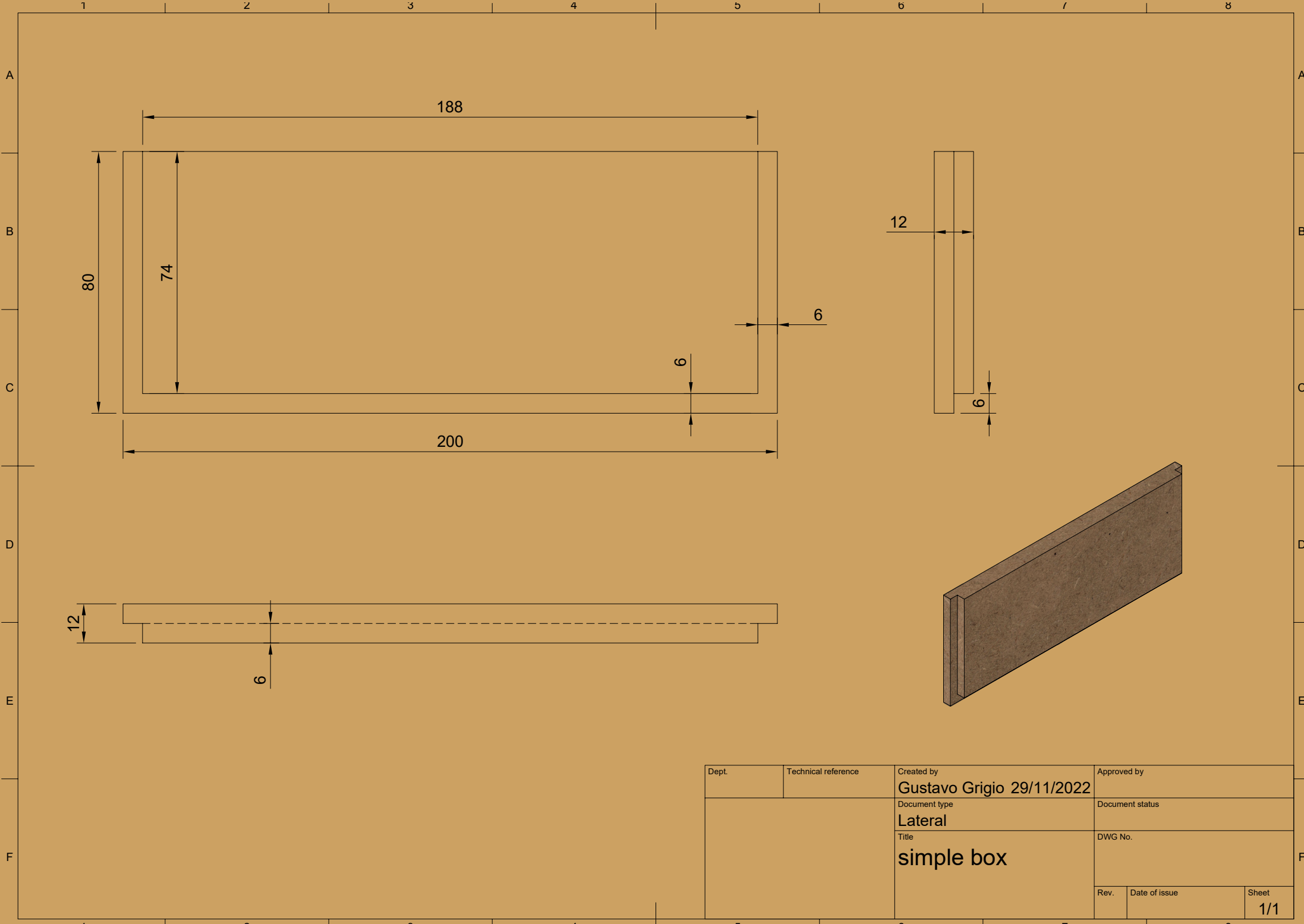
1 2 3 4 5 6 7 8

A B C D E F

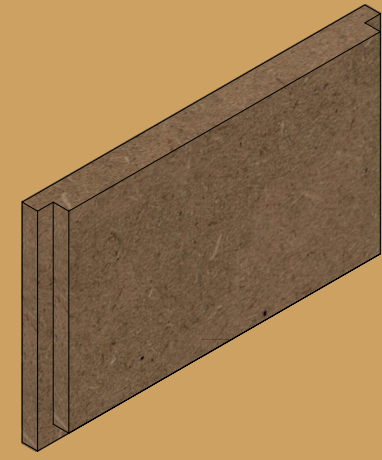
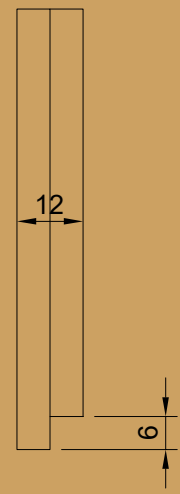
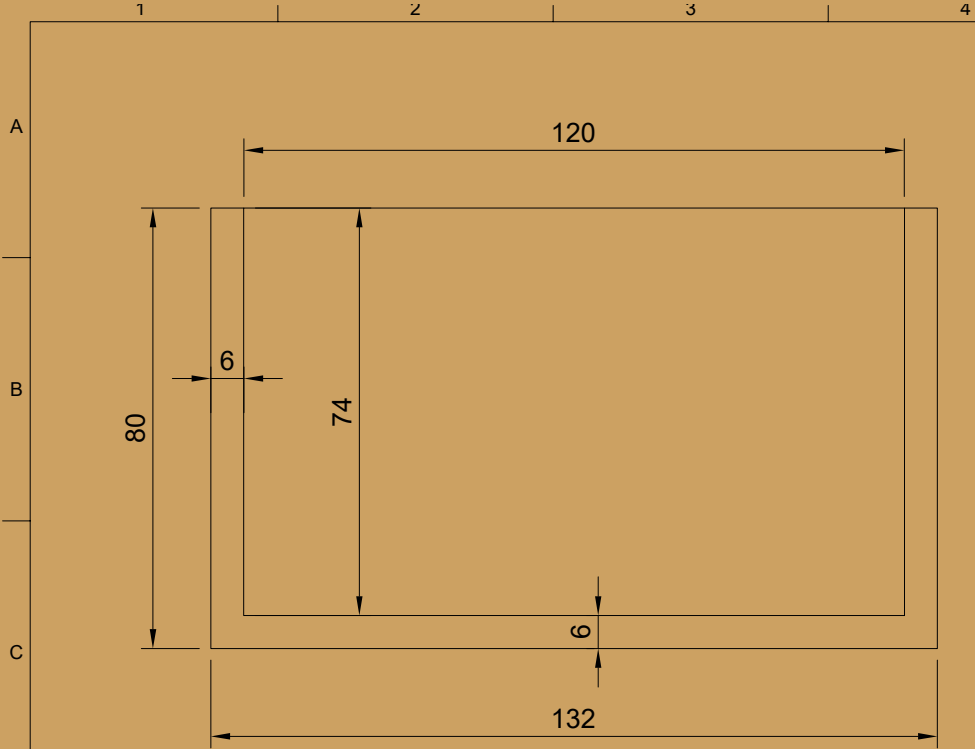


Dept.	Technical reference	Created by Gustavo Grigio 29/11/2022	Approved by	
		Document type funido	Document status	
		Title simple box	DWG No.	
		Rev.	Date of issue	Sheet 1/1

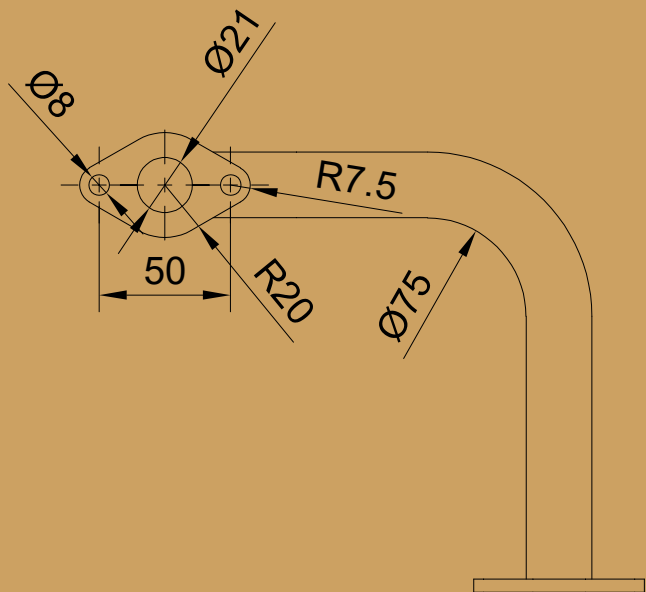
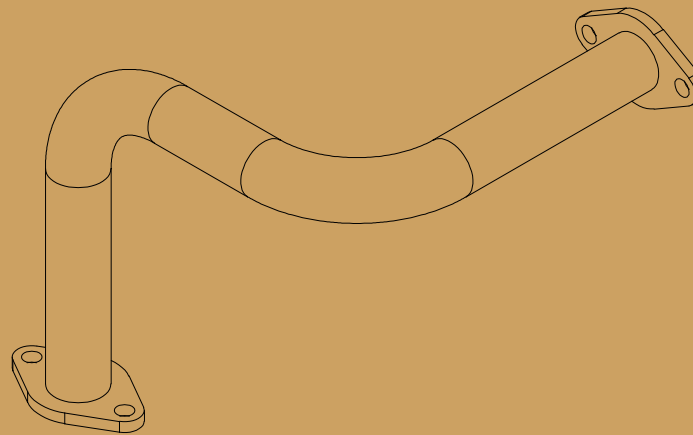
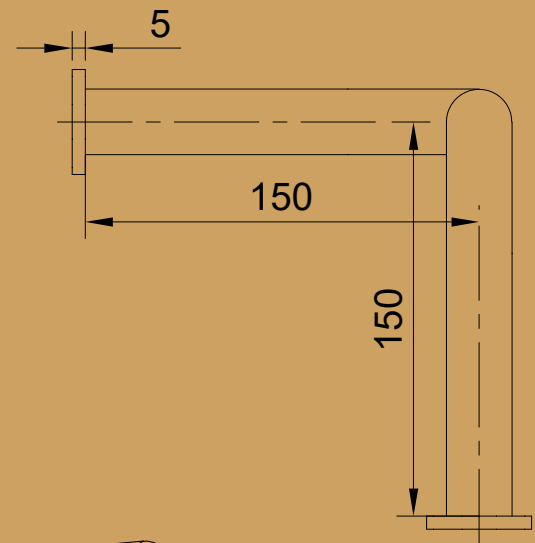
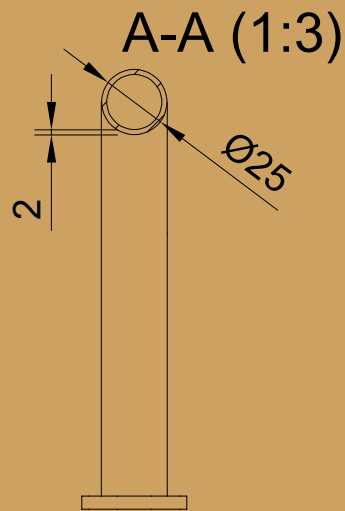
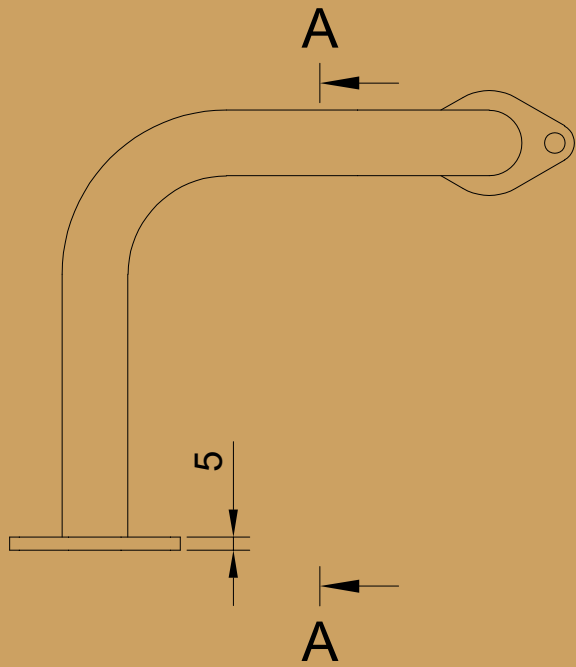
1 2 3 4 5 6 7 8




Dept.	Technical reference	Created by Gustavo Grigio 29/11/2022	Approved by
		Document type Lateral	Document status
		Title simple box	DWG No.
		Rev.	Date of issue
		Sheet 1/1	



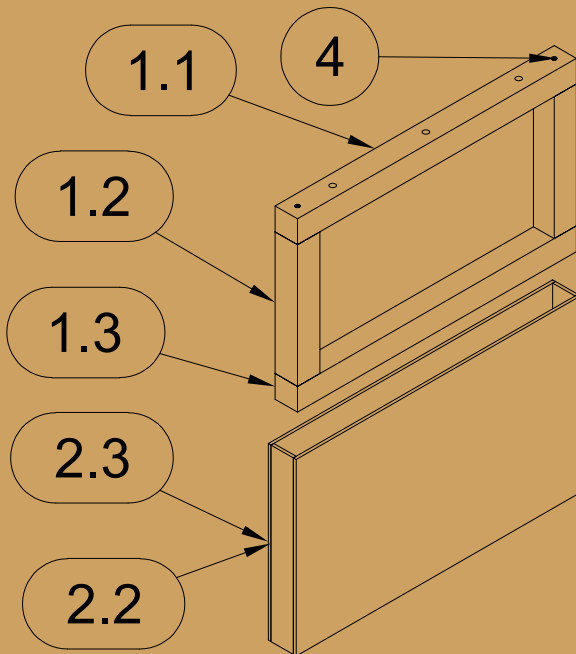
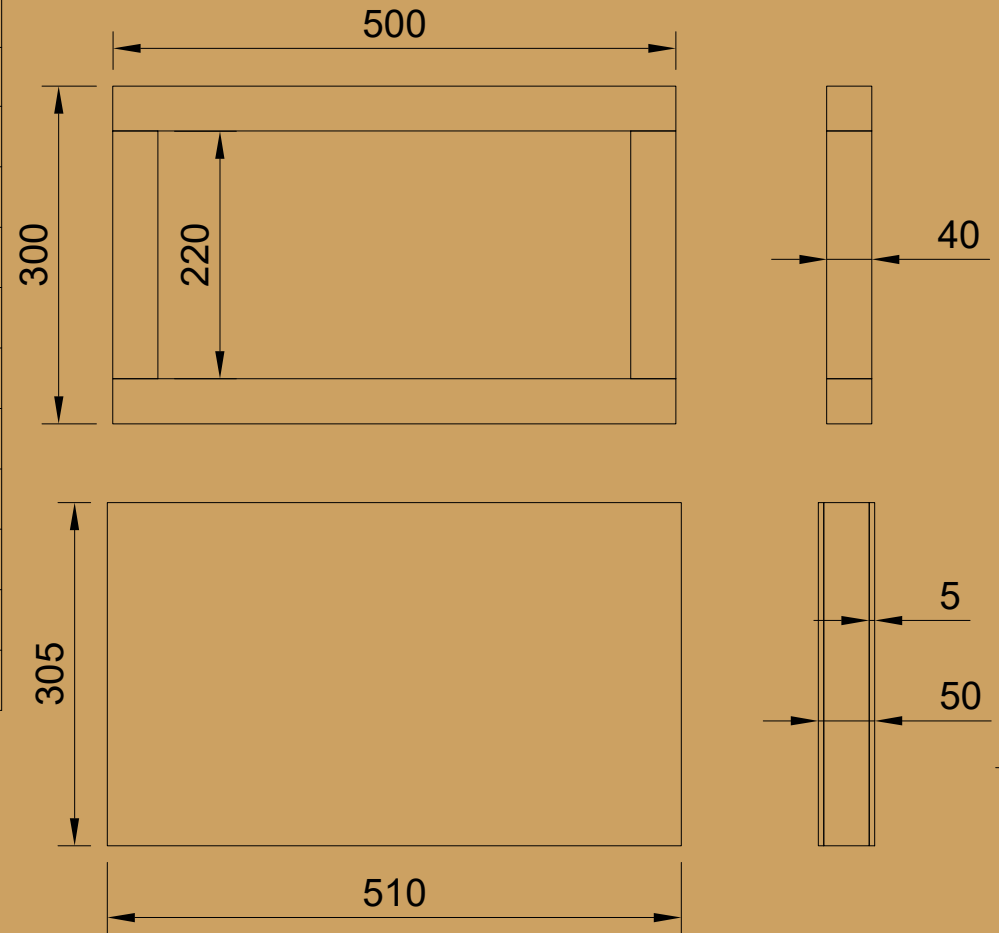
Dept.	Technical reference	Created by Gustavo Grigio 29/11/2022	Approved by	
		Document type Canto	Document status	
		Title simple box	DWG No.	
		Rev.	Date of issue	Sheet 1/1



Dept.	Technical reference	Created by Pistacchio Graphic	Approved by
		Document type	Document status https://bit.ly/3FHQdtD
		Title Fusion 360 #5 Connect Tube	DWG No.
Rev.	Date of issue 11/12/2022	Sheet 1/1	

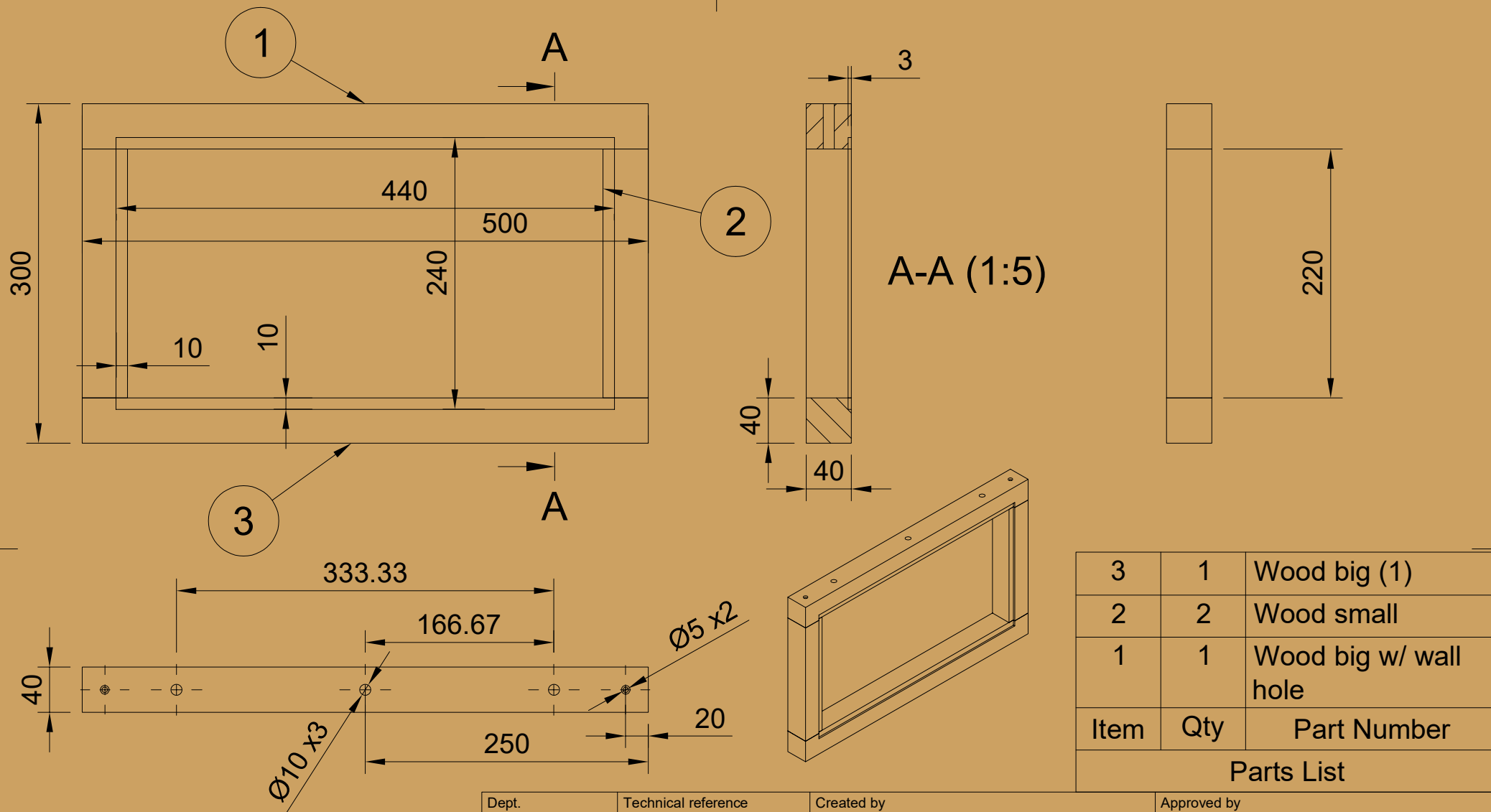
Parts List

Item	Qty	Part Number
1	1	AS Drawer
1.1	1	Wood big w/ wall hole
1.2	2	Wood small
1.3	1	Wood big (1)
1.4	1	Bottom
2	1	AS Cover
2.1	1	Front Cover
2.2	2	Side Cover
2.3	2	Up/down Cover
4	4	90031A159_Phillips Flat Head Screws for Wood



Dept.	Technical reference	Created by Pistacchio Graphic	Approved by
		Document type Secret Drawer	Document status https://bit.ly/3uTKyu8
		Title #6 Fusion 360-Secret Drawer	DWG No.
		Rev.	Date of issue 15/12/2022
			Sheet 1/1





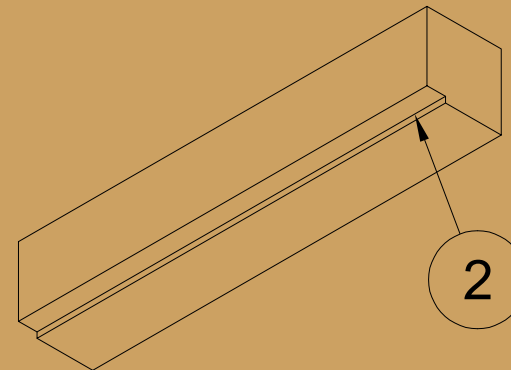
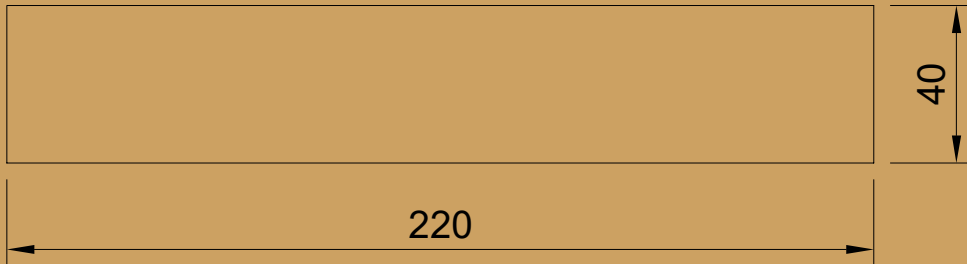
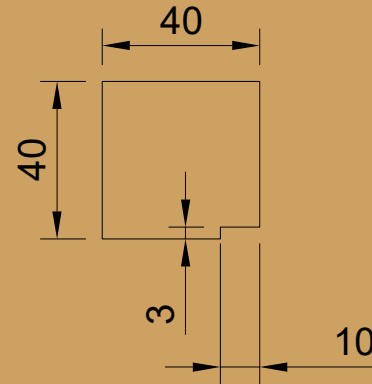
3	1	Wood big (1)
2	2	Wood small
1	1	Wood big w/ wall hole
Item	Qty	Part Number
Parts List		

Dept.	Technical reference	Created by Pistacchio Graphic	Approved by
		Document type Drawer	Document status
		Title #6 Fusion 360-Secret Drawer	DWG No.
		Rev.	Date of issue 15/12/2022
		Sheet	1/1





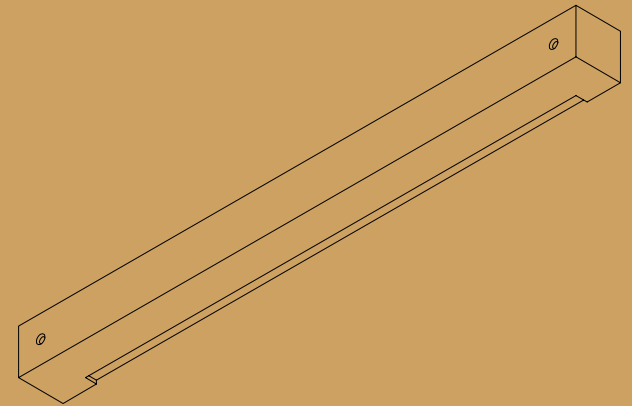
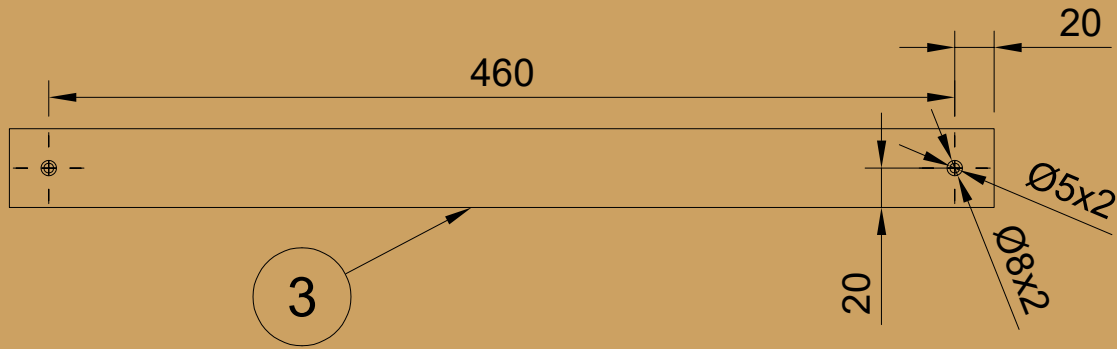
2



2

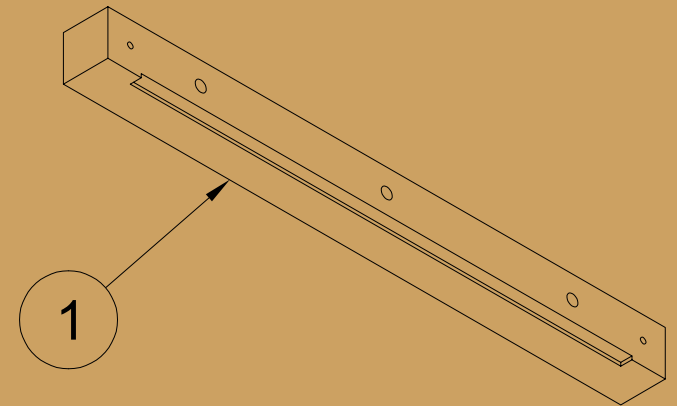
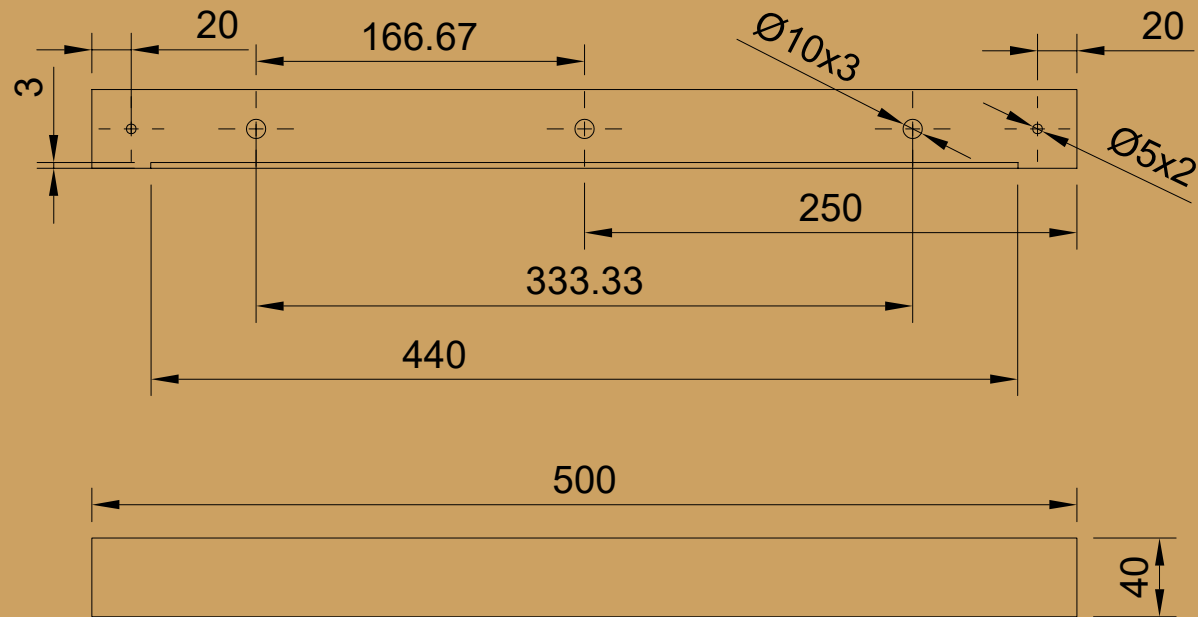
Parts List		
Item	Qty	Part Number
2	2	Wood small

Dept.	Technical reference	Created by Pistacchio Graphic	Approved by	
		Document type Wood Small	Document status	
		Title #6 Fusion 360-Secret Drawer	DWG No.	
		Rev.	Date of issue 15/12/2022	Sheet 1/1



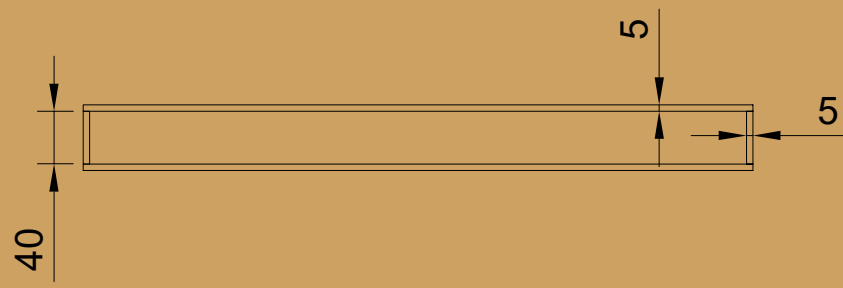
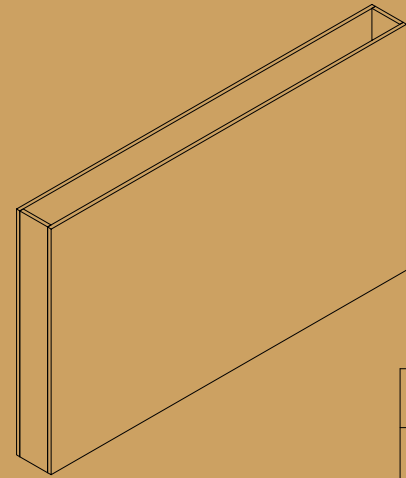
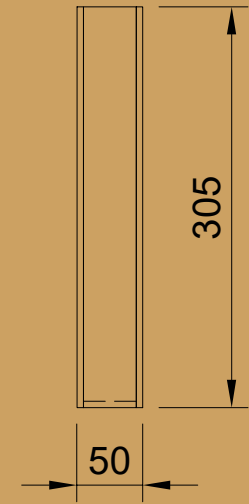
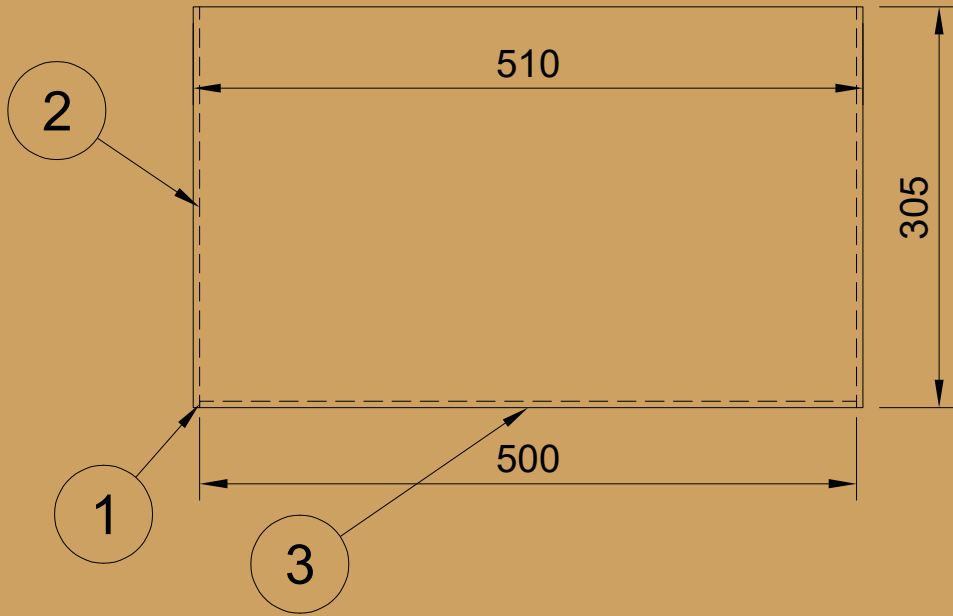
Parts List		
Item	Qty	Part Number
3	1	Wood big (1)

Dept.	Technical reference	Created by Pistacchio Graphic	Approved by	
		Document type Wood Big	Document status	
		Title #6 Fusion 360-Secret Drawer	DWG No.	
		Rev.	Date of issue 15/12/2022	Sheet 1/1



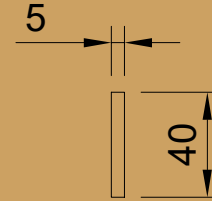
Parts List		
Item	Qty	Part Number
1	1	Wood big w/ wall hole

Dept.	Technical reference	Created by Pistacchio Graphic	Approved by	
		Document type Wood Big with wall hole	Document status	
		Title #6 Fusion 360-Secret Drawer	DWG No.	
		Rev.	Date of issue 12/12/2022	Sheet 1/1

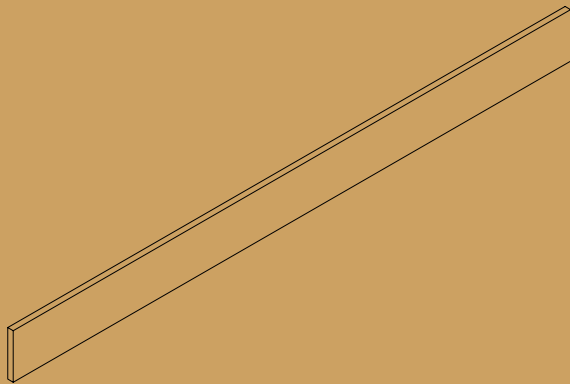


Parts List		
Item	Qty	Part Number
1	1	Front Cover
2	2	Side Cover
3	2	Up/down Cover

Dept.	Technical reference	Created by Pistacchio Graphic	Approved by	
		Document type Cover	Document status	
		Title #6 Fusion 360-Secret Drawer	DWG No.	
		Rev.	Date of issue 15/12/2022	Sheet 1/1

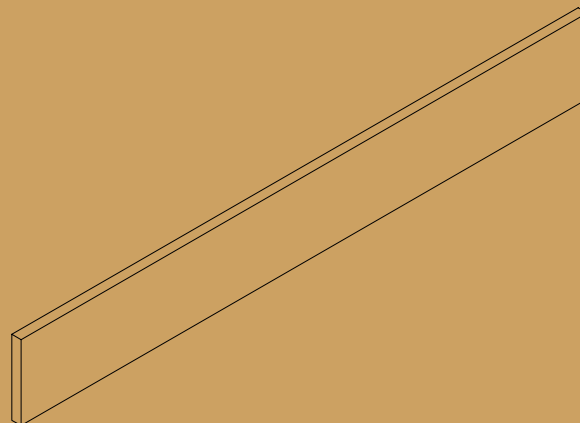
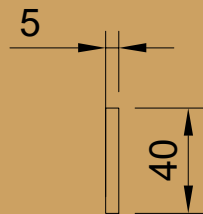
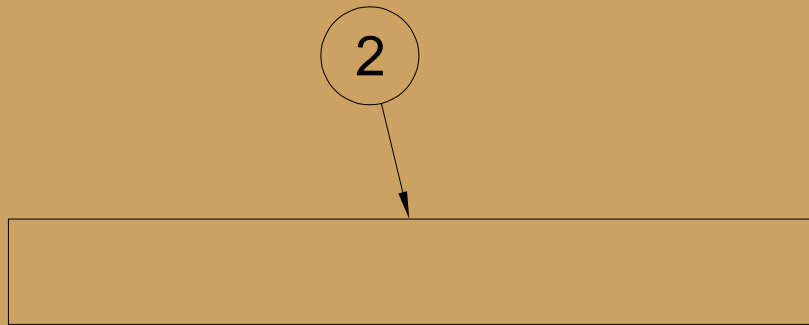


1



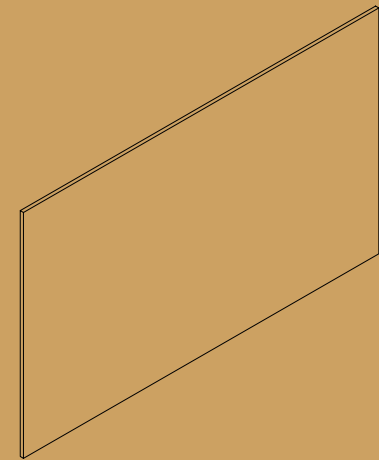
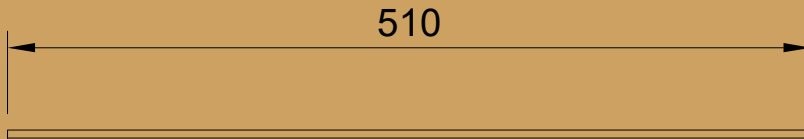
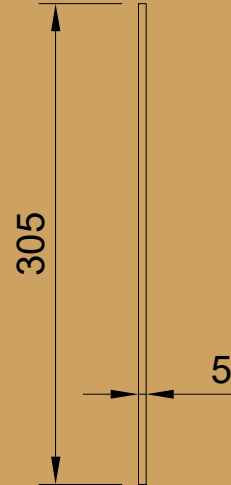
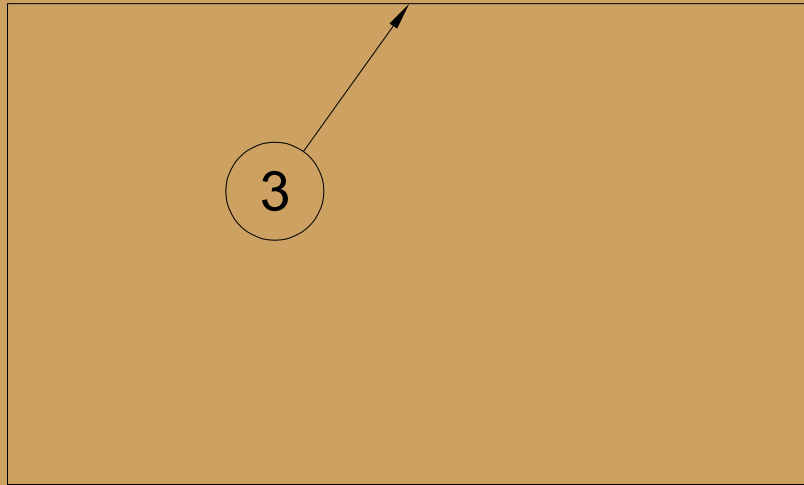
Parts List		
Item	Qty	Part Number
1	1	Front Cover

Dept.	Technical reference	Created by Pistacchio Graphic	Approved by	
		Document type Front Cover	Document status	
		Title #6 Fusion 360-Secret Drawer	DWG No.	
		Rev.	Date of issue 15/12/2022	Sheet 1/1



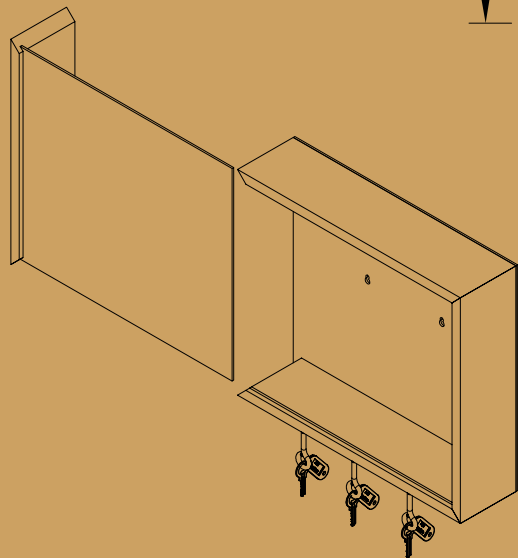
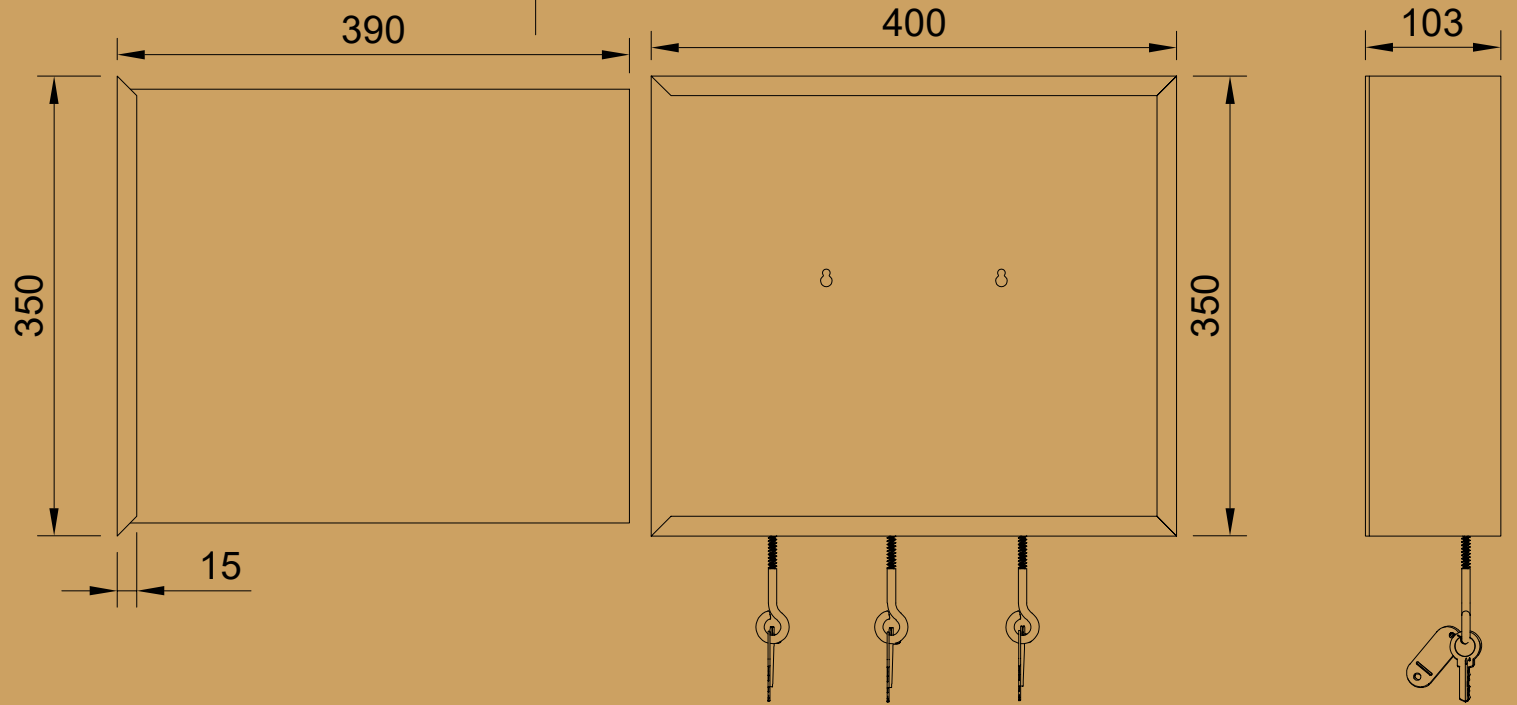
Dept.	Technical reference	Created by Pistacchio Graphic	Approved by	
		Document type Side Cover	Document status	
		Title #6 Fusion 360-Secret Drawer	DWG No.	
		Rev.	Date of issue 15/12/2022	Sheet 1/1

Parts List		
Item	Qty	Part Number
2	1	Side Cover



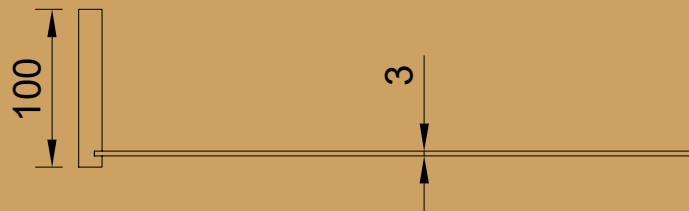
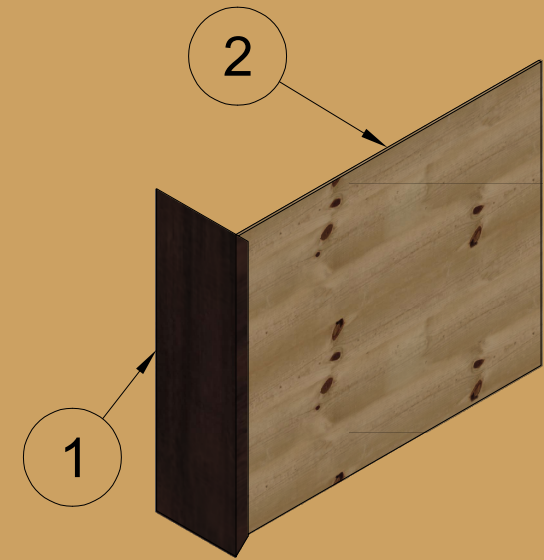
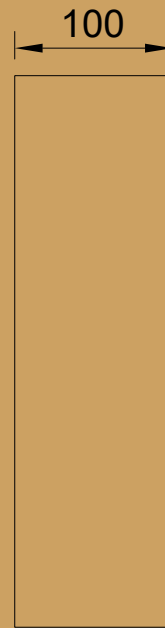
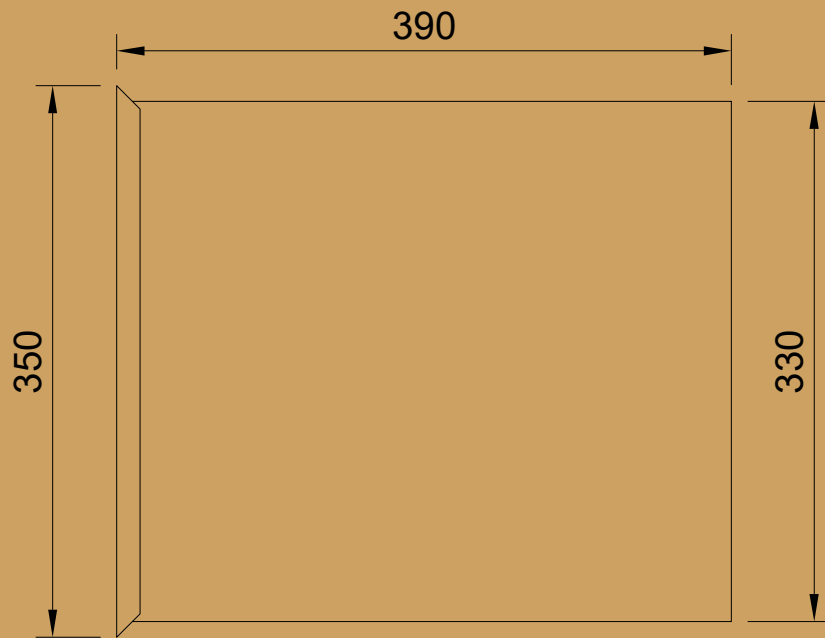
Parts List		
Item	Qty	Part Number
3	1	Up/down Cover

Dept.	Technical reference	Created by Pistacchio Graphic	Approved by	
		Document type Up/Down Cover	Document status	
		Title #6 Fusion 360-Secret Drawer	DWG No.	
		Rev.	Date of issue 15/12/2022	Sheet 1/1



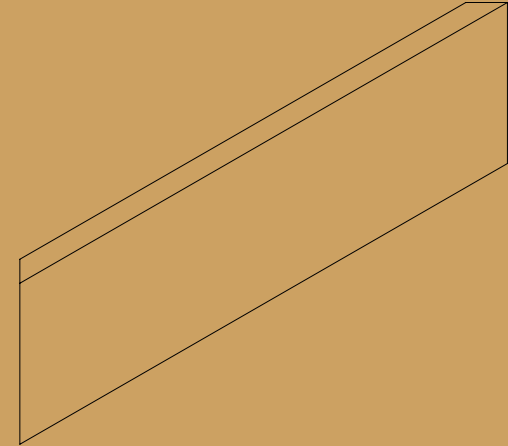
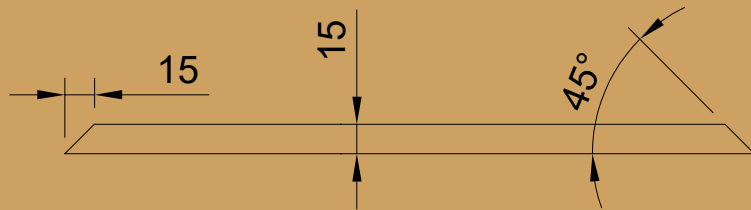
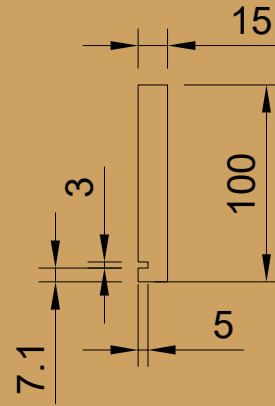
Dept.	Technical reference	Created by Pistacchio Graphic	Approved by
		Document type #7 Fusion 360 Tutorial	Document status https://bit.ly/3jmg14j
		Title Secret Canva	DWG No.
		Rev.	Date of issue 20/12/2022
			Sheet 1/1





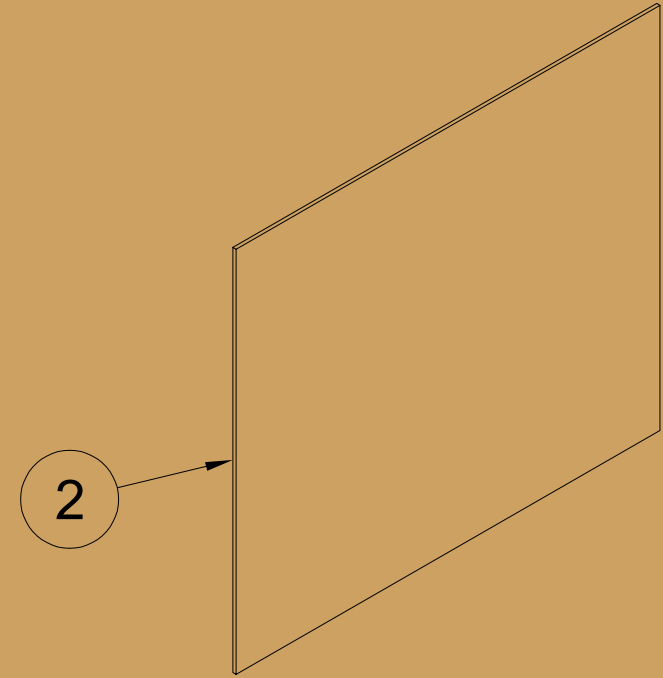
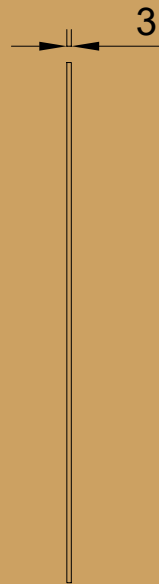
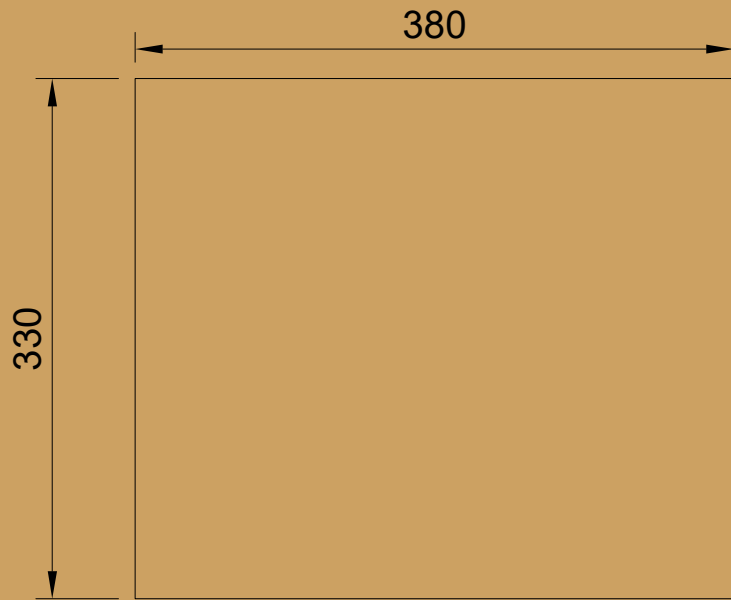
Parts List		
Item	Qty	Part Number
1	1	Side board narrow
2	1	Cover

Dept.	Technical reference	Created by Pistacchio Graphic	Approved by	
		Document type #7 Fusion 360 Tutorial	Document status	
		Title AS Cover	DWG No.	
		Rev.	Date of issue 20/12/2022	Sheet 1/1



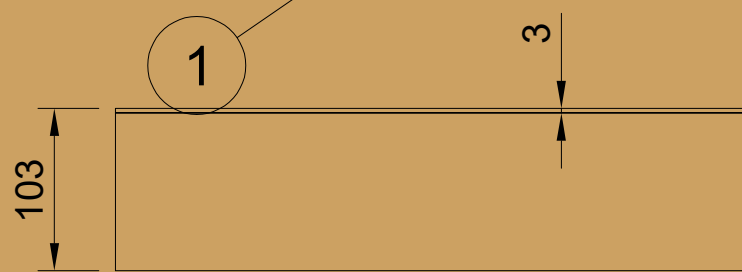
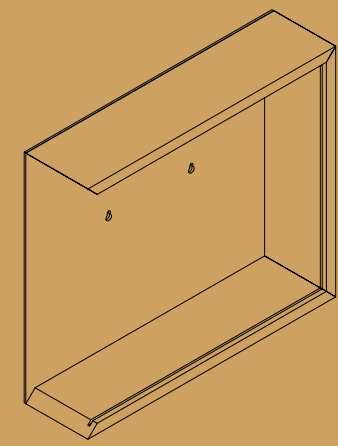
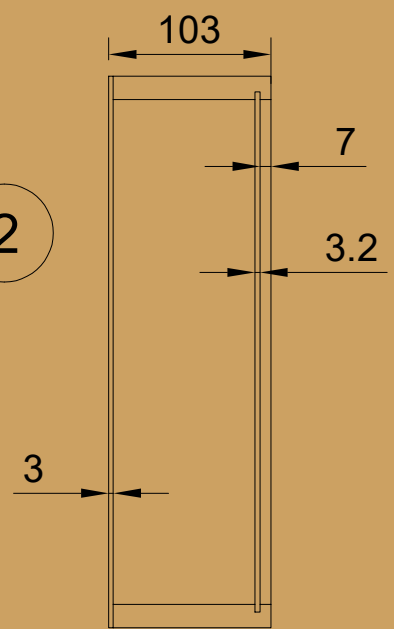
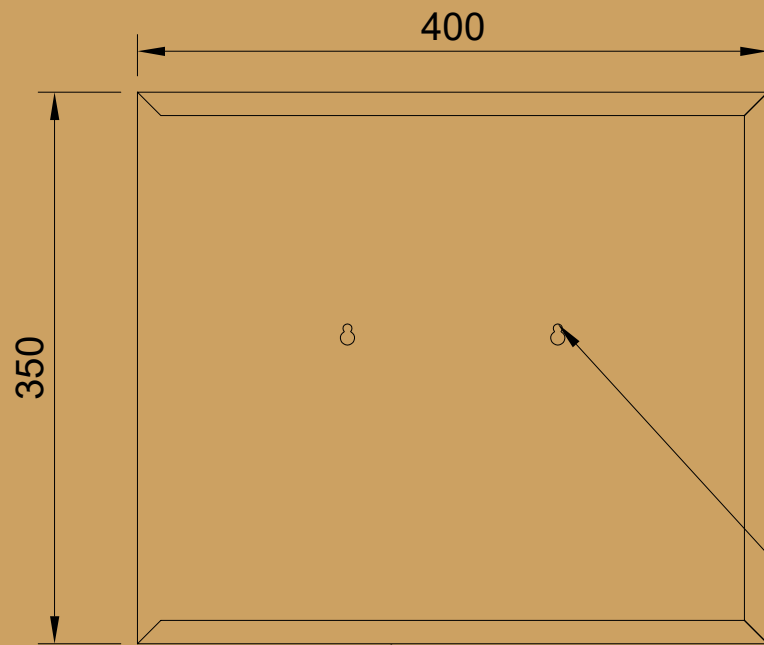
Parts List		
Item	Qty	Part Number
1	1	Side board narrow

Dept.	Technical reference	Created by Pistacchio Graphic	Approved by	
		Document type #7 Fusion 360 Tutorial	Document status	
		Title Side Board Narrow	DWG No.	
		Rev.	Date of issue 20/12/2022	Sheet 1/1



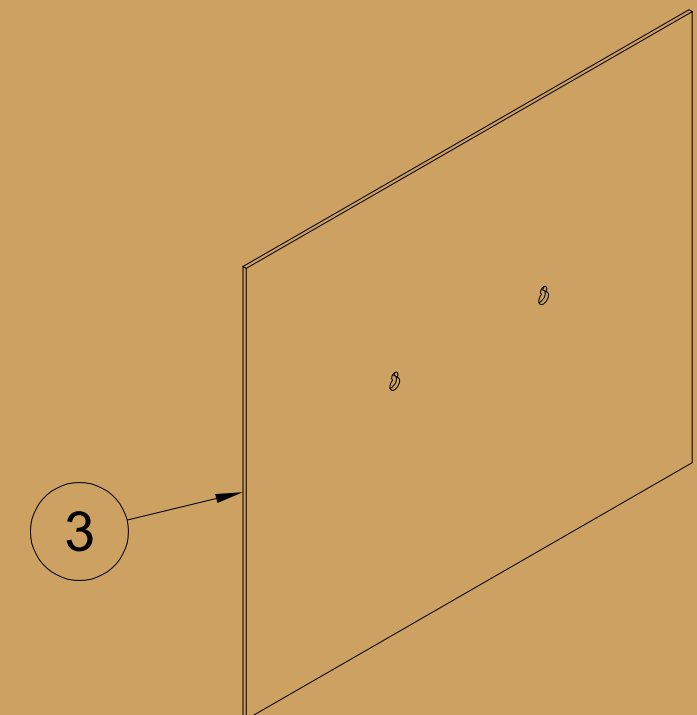
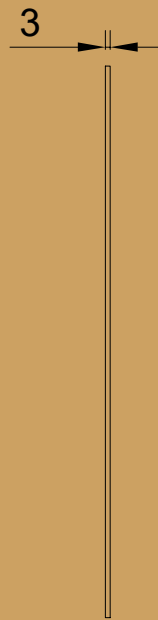
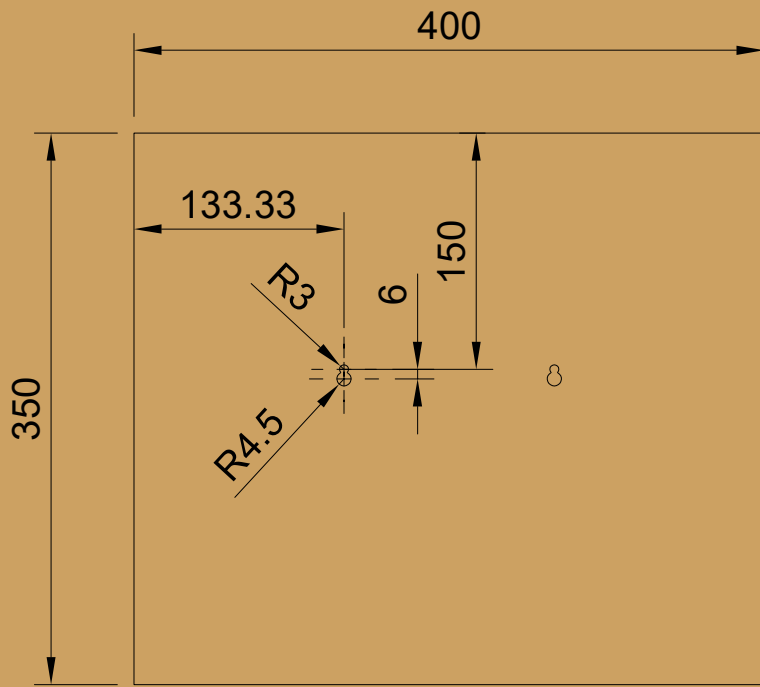
Parts List		
Item	Qty	Part Number
2	1	Cover

Dept.	Technical reference	Created by Pistacchio Graphic	Approved by	
		Document type #7 Fusion 360 Tutorial	Document status	
		Title Cover	DWG No.	
		Rev.	Date of issue 20/12/2022	Sheet 1/1



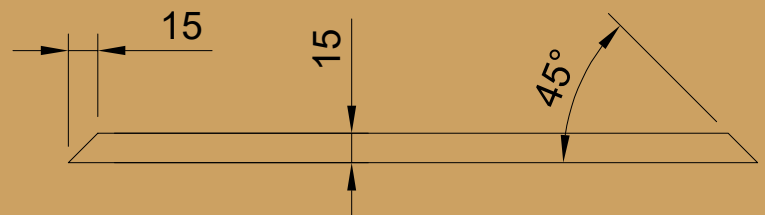
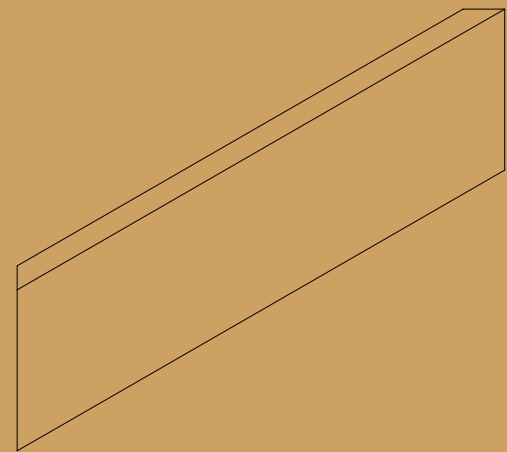
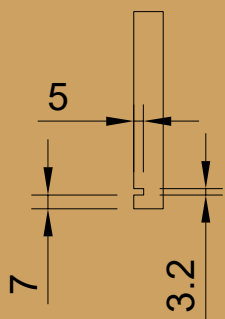
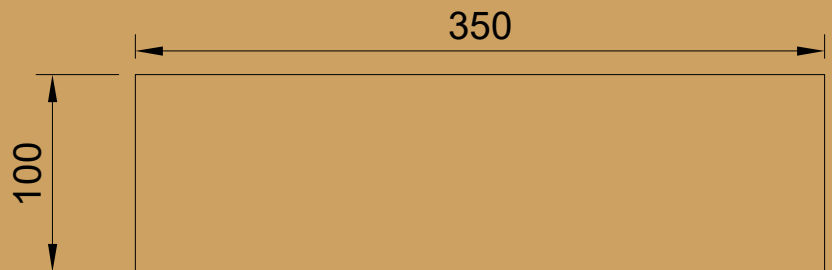
Parts List		
Item	Qty	Part Number
1	2	Up/down board
2	1	Side board
3	1	Bottom

Dept.	Technical reference	Created by Pistacchio Graphic	Approved by	
		Document type #7 Fusion 360 Tutorial	Document status	
		Title AS Canva	DWG No.	
		Rev.	Date of issue 20/12/2022	Sheet 1/1



Parts List		
Item	Qty	Part Number
3	1	Bottom

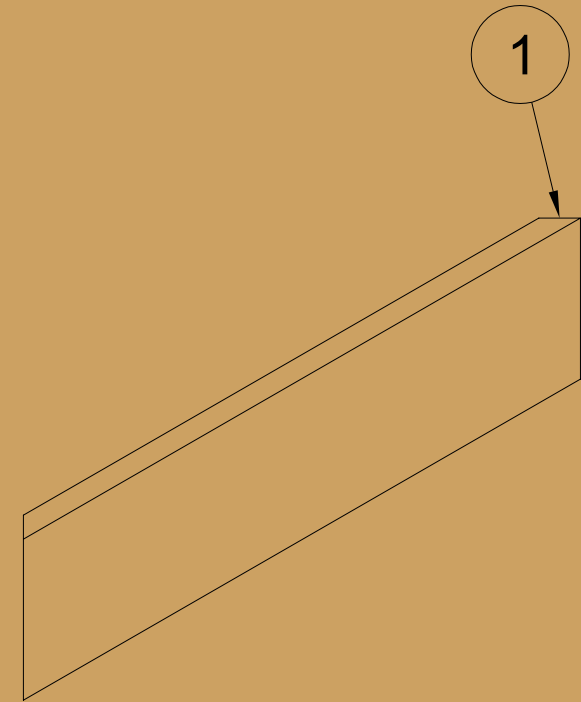
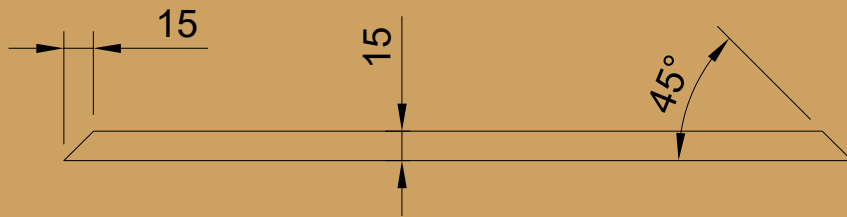
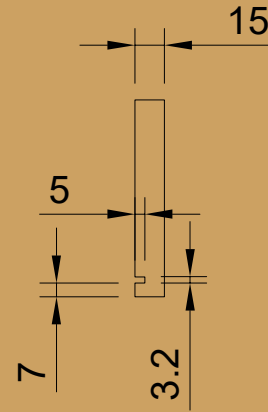
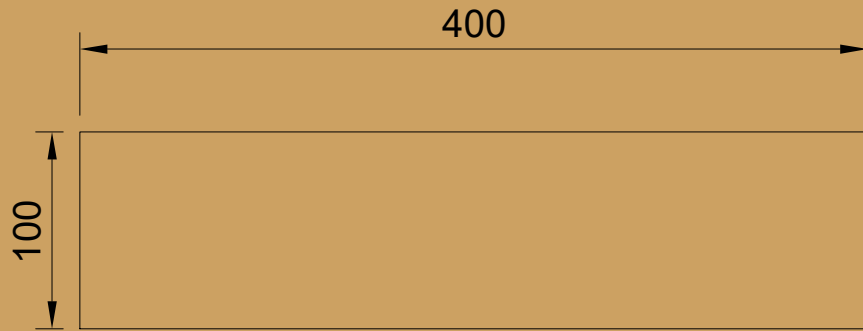
Dept.	Technical reference	Created by Pistacchio Graphic	Approved by	
		Document type #7 Fusion 360 Tutorial	Document status	
		Title Bottom	DWG No.	
		Rev.	Date of issue 20/12/2022	Sheet 1/1



2

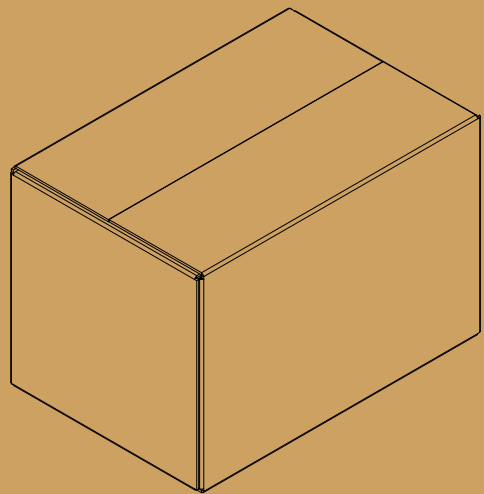
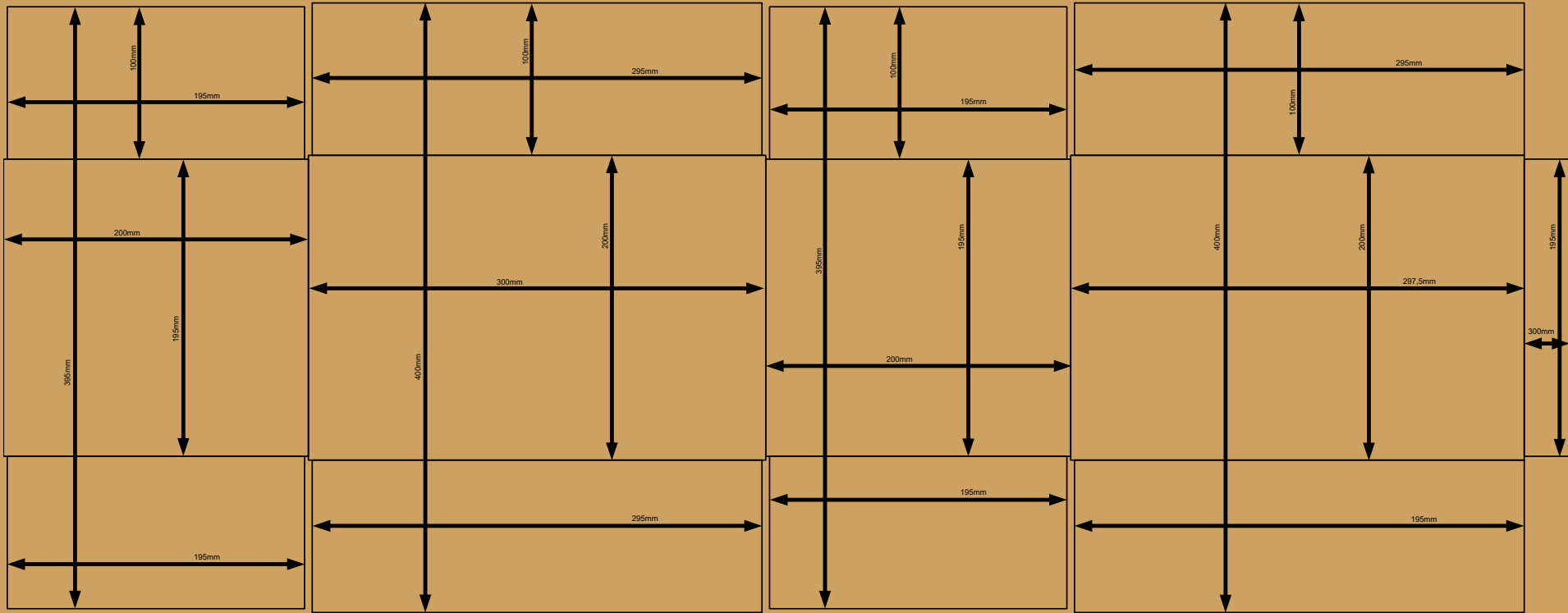
Parts List		
Item	Qty	Part Number
2	1	Side board

Dept.	Technical reference	Created by Pistacchio Graphic	Approved by	
		Document type #7 Fusion 360 Tutorial	Document status	
		Title Side Board	DWG No.	
		Rev.	Date of issue 20/12/2022	Sheet 1/1



Parts List		
Item	Qty	Part Number
1	1	Up/down board

Dept.	Technical reference	Created by Pistacchio Graphic	Approved by	
		Document type #7 Fusion 360 Tutorial	Document status	
		Title Up Down Side Board	DWG No.	
		Rev.	Date of issue 20/12/2022	Sheet 1/1



Dept.	Technical reference	Created by Pistacchio Graphic	Approved by
		Document type Fusion 360 #8 Tutorial	Document status https://bit.ly/3WpyIJW
		Title Cardbox	DWG No.
		Rev.	Date of issue 25/12/2022
			Sheet 1/1



