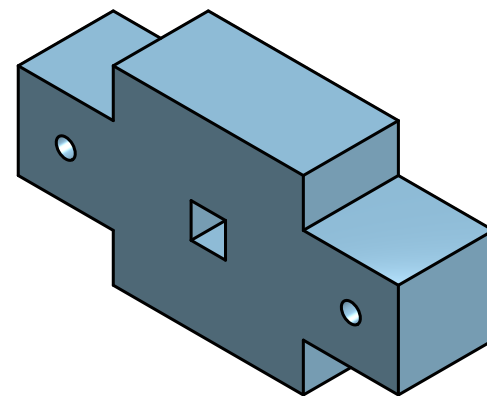
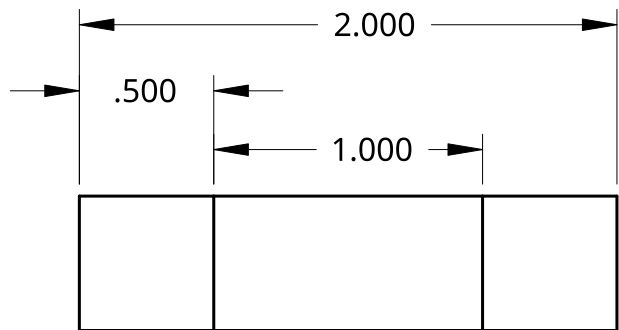


2

1

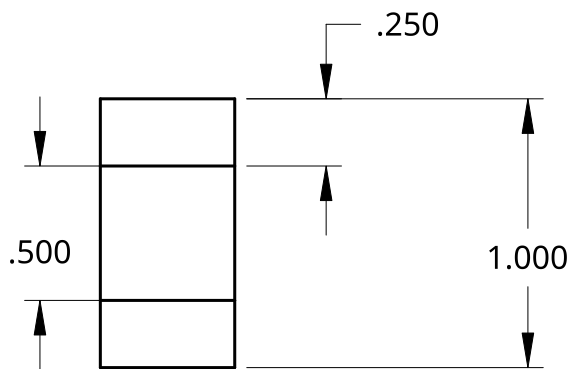
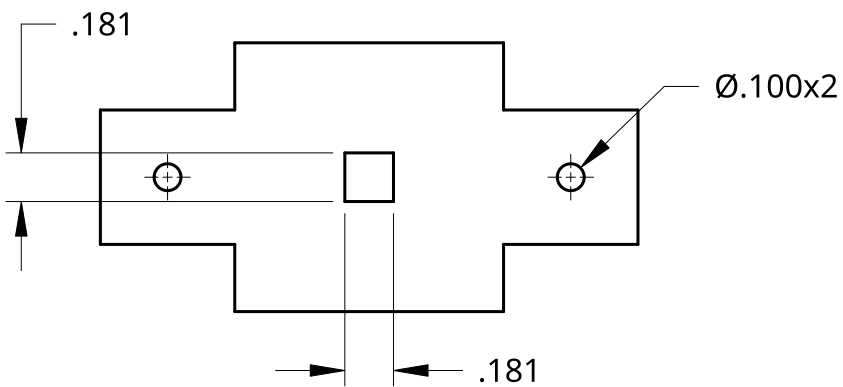
B

B



A

A



NOTE:

- UNITS ARE IN INCHES (IN)
- SHEET SCALE IS 1.4:1

UNLESS OTHERWISE SPECIFIED, DIMENSIONS ARE IN INCHES

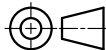
.XX = ±.0-
 .XXX = ±.00-
 .XXXX = ±.000-
 ANGULAR = ± °
 FRACTIONAL = ±

SURFACE FINISH

DO NOT SCALE DRAWING

BREAK ALL SHARP EDGES AND REMOVE BURRS

THIRD ANGLE PROJECTION



	NAME	DATE
DRAWN	MIRANDA ML	01/08/2024
CHECKED		
APPROVED		
	MATERIAL	FINISH
	PLA	

TITLE		
Peg Holder		
SIZE	DWG. NO.	REV.
A		
SCALE	WEIGHT	SHEET
1.4:1	14.866 g	1 of 1

2

1