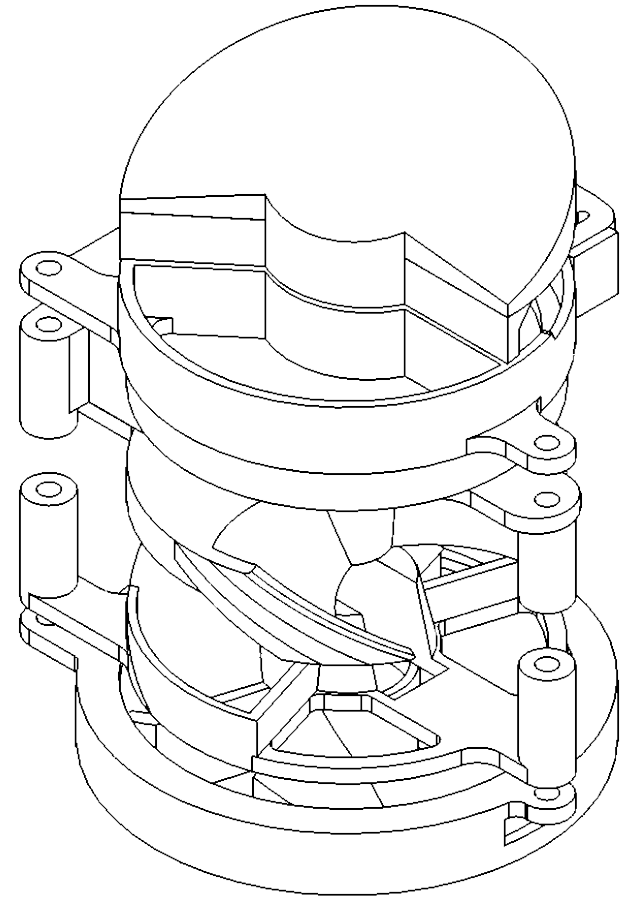
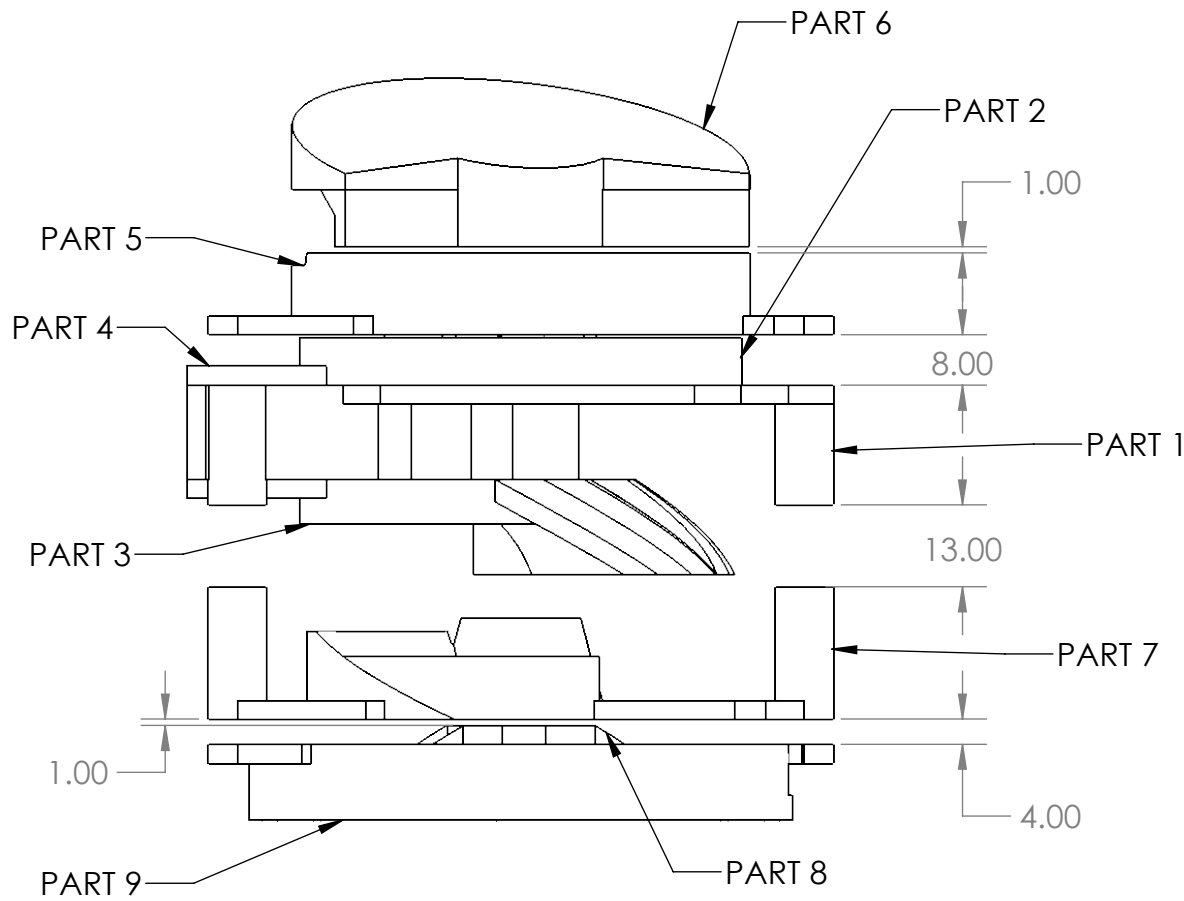


2

1

B

B



A

A

UNLESS OTHERWISE SPECIFIED:		NAME	DATE	TITLE: ASSEMBLY OF PARTS 1-10
DIMENSIONS ARE IN MILLIMETERS	DRAWN			
	CHECKED			
	ENG APPR.			
	MFG APPR.			
INTERPRET GEOMETRIC TOLERANCING PER:	Q.A.			SIZE DWG. NO. REV
MATERIAL PLA PLASTIC	COMMENTS: 3D PRINTED, NO CLEANUP NECESSARY			
FINISH PRINT FINISH				SCALE: 1:2
DO NOT SCALE DRAWING				

2

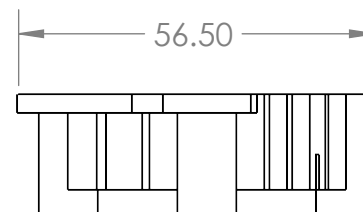
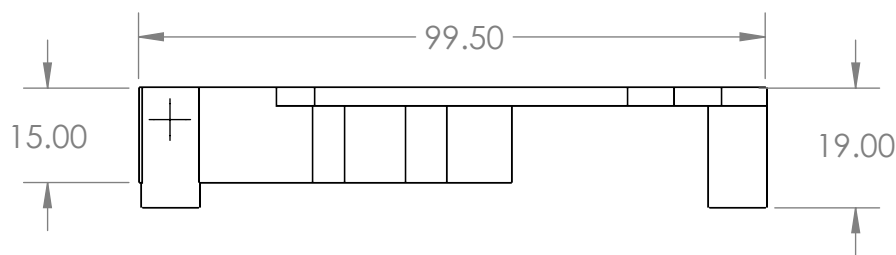
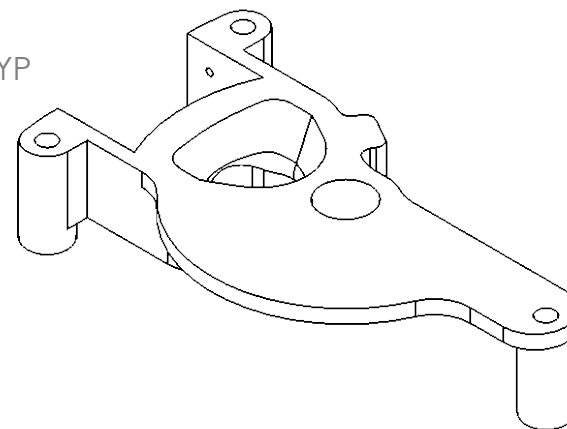
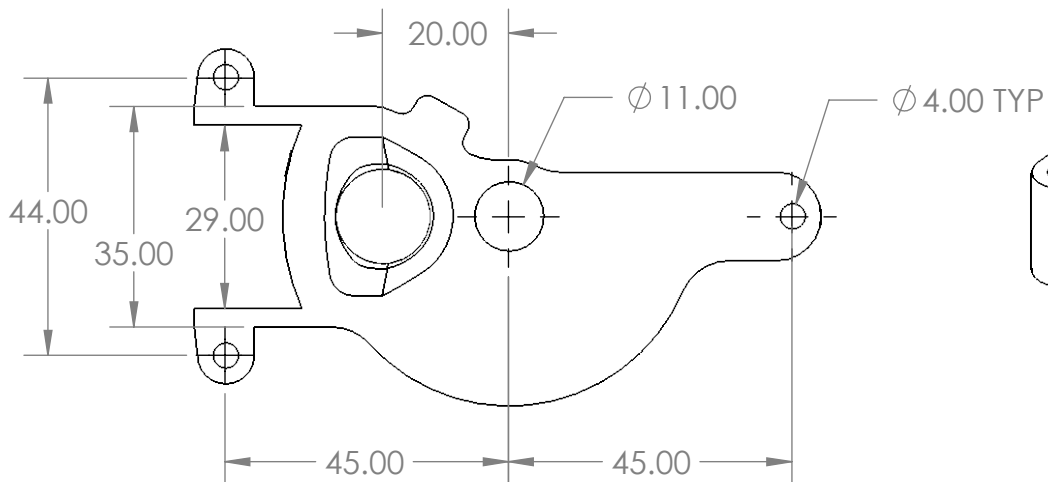
1

2

1

B

B



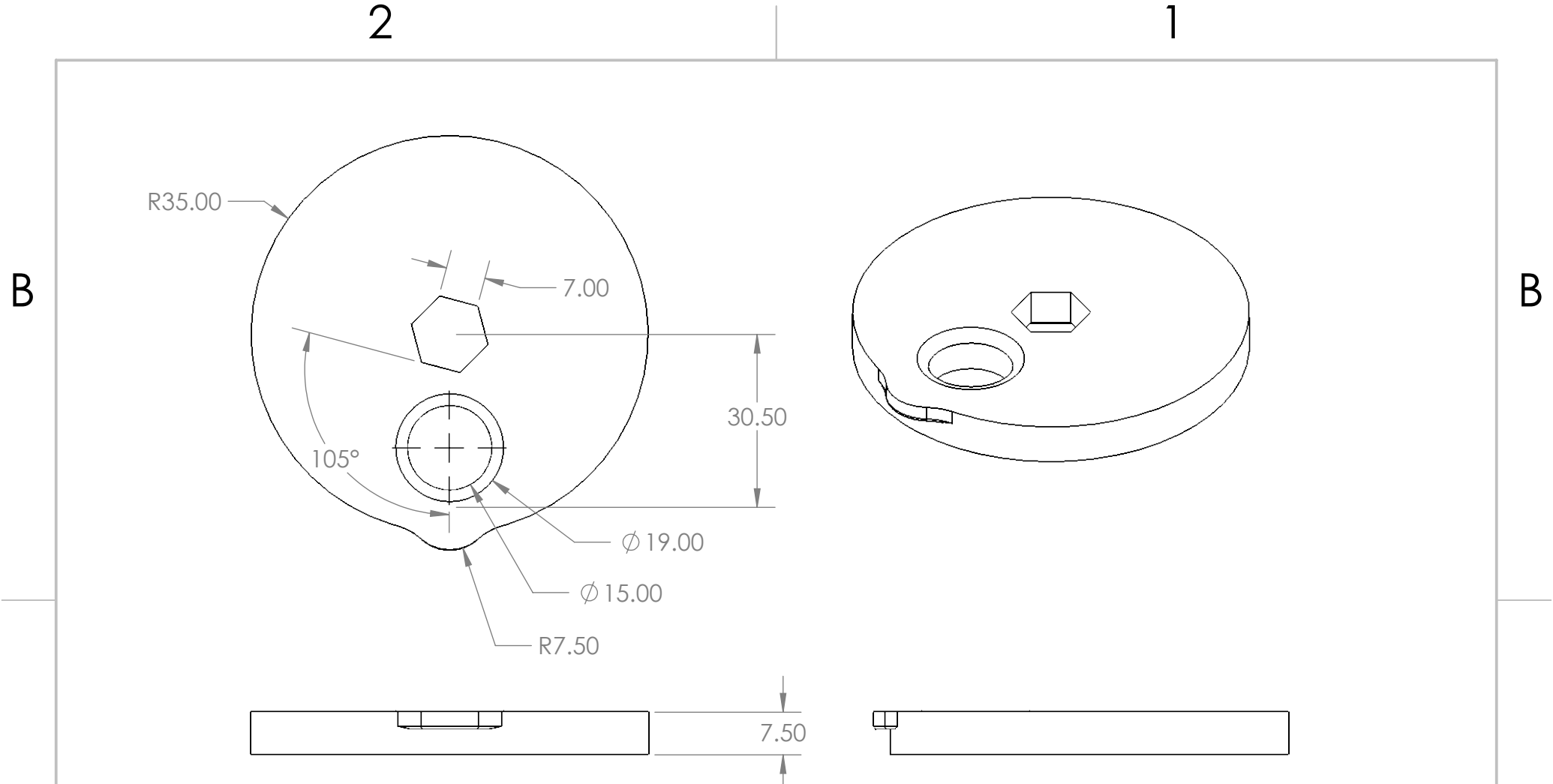
A

A

UNLESS OTHERWISE SPECIFIED:		NAME	DATE	TITLE: PART 1	
DIMENSIONS ARE IN MILLIMETERS	DRAWN				
	CHECKED				
	ENG APPR.				
INTERPRET GEOMETRIC TOLERANCING PER:				SIZE DWG. NO. REV	
MATERIAL PLA PLASTIC	Q.A.				
FINISH PRINT FINISH	COMMENTS: 3D PRINTED, NO CLEANUP NECESSARY			SCALE: 1:2	
DO NOT SCALE DRAWING					

2

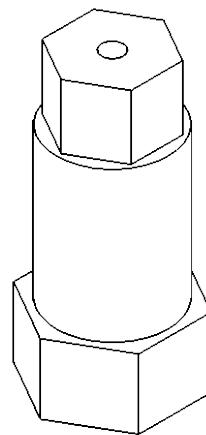
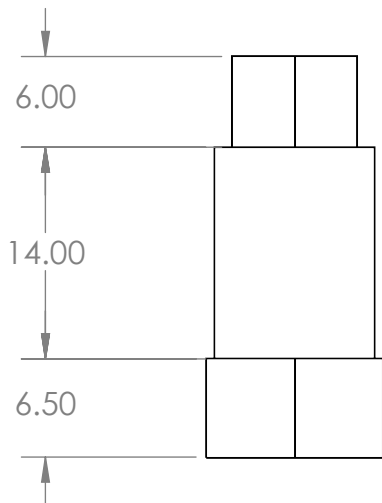
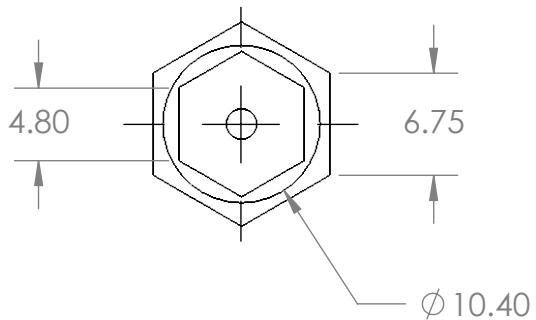
1



UNLESS OTHERWISE SPECIFIED:		NAME	DATE	TITLE: PART 2a	
DIMENSIONS ARE IN MILLIMETERS	DRAWN				
	CHECKED				
	ENG APPR.				
	MFG APPR.				
INTERPRET GEOMETRIC TOLERANCING PER:	Q.A.				
MATERIAL PLA PLASTIC	COMMENTS: 3D PRINTED, NO CLEANUP NECESSARY			SIZE A	DWG. NO.
FINISH PRINT FINISH					REV
DO NOT SCALE DRAWING				SCALE: 1:1	

2

1



B

B

A

A

UNLESS OTHERWISE SPECIFIED:		NAME	DATE	TITLE: PART 2b		
DIMENSIONS ARE IN MILLIMETERS	DRAWN					
	CHECKED					
	ENG APPR.					
	MFG APPR.					
INTERPRET GEOMETRIC TOLERANCING PER:	Q.A.			SIZE DWG. NO. REV A		
MATERIAL PLA PLASTIC	COMMENTS: 3D PRINTED, NO CLEANUP NECESSARY					
FINISH PRINT FINISH						
DO NOT SCALE DRAWING	SCALE: 2:1					

2

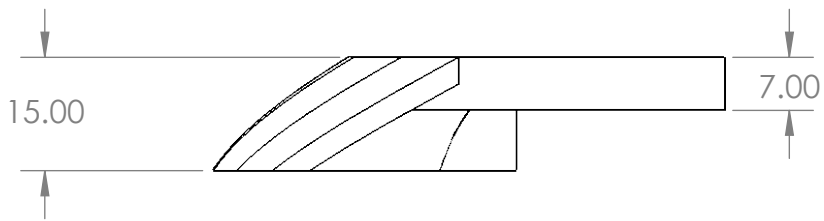
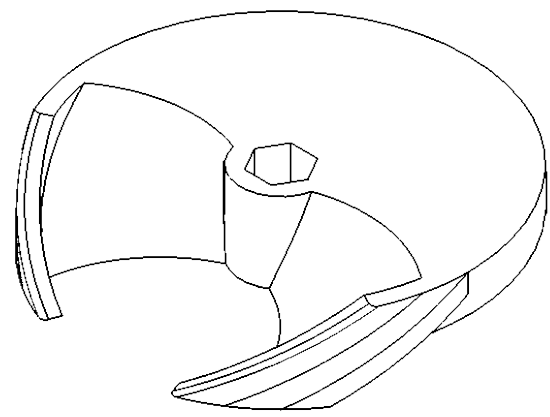
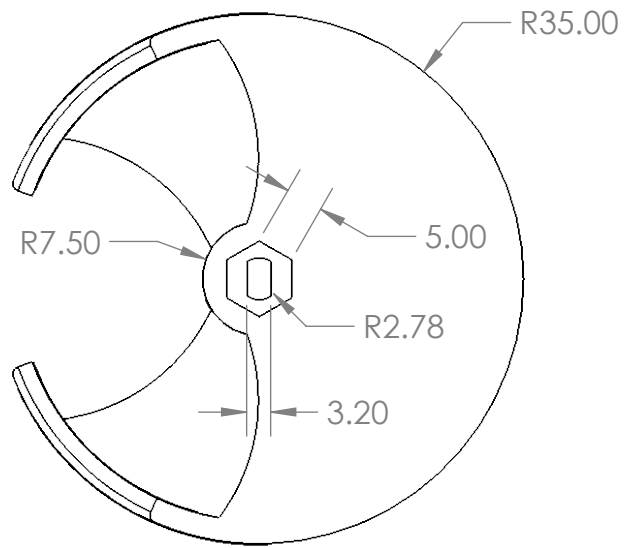
1

2

1

B

B



A

A

UNLESS OTHERWISE SPECIFIED:		NAME	DATE	TITLE: PART 3	
DIMENSIONS ARE IN MILLIMETERS	DRAWN				
	CHECKED				
	ENG APPR.				
	MFG APPR.				
INTERPRET GEOMETRIC TOLERANCING PER:	Q.A.				
MATERIAL PLA PLASTIC	COMMENTS: 3D PRINTED, NO CLEANUP NECESSARY			SIZE A	DWG. NO.
FINISH PRINT FINISH					REV
DO NOT SCALE DRAWING				SCALE: 1:1	

2

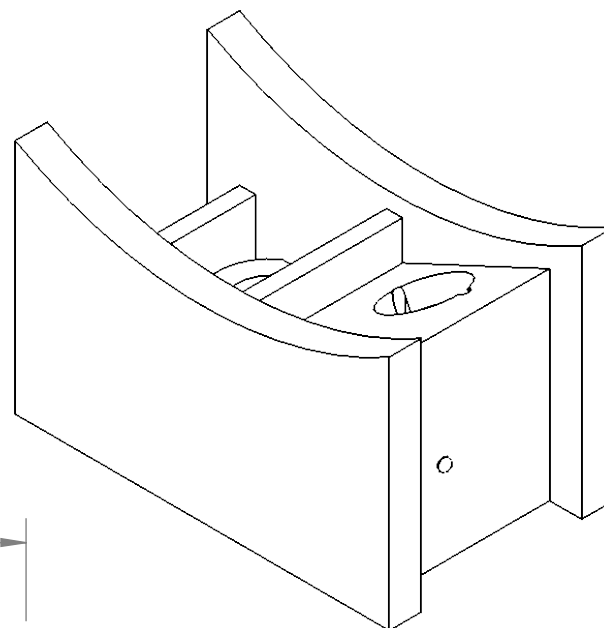
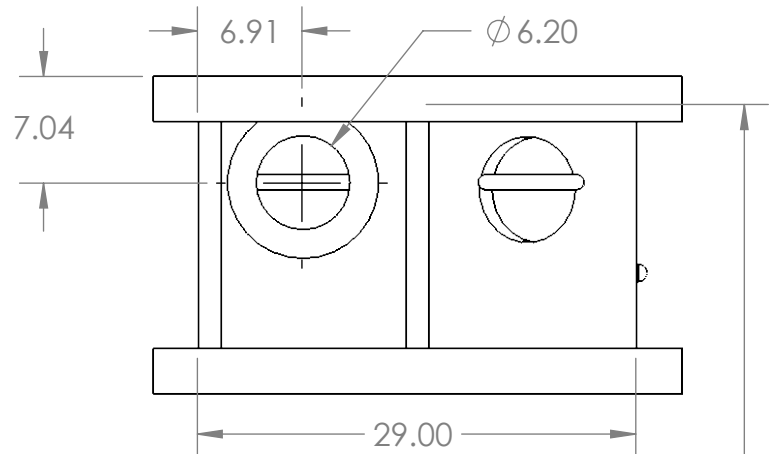
1

2

1

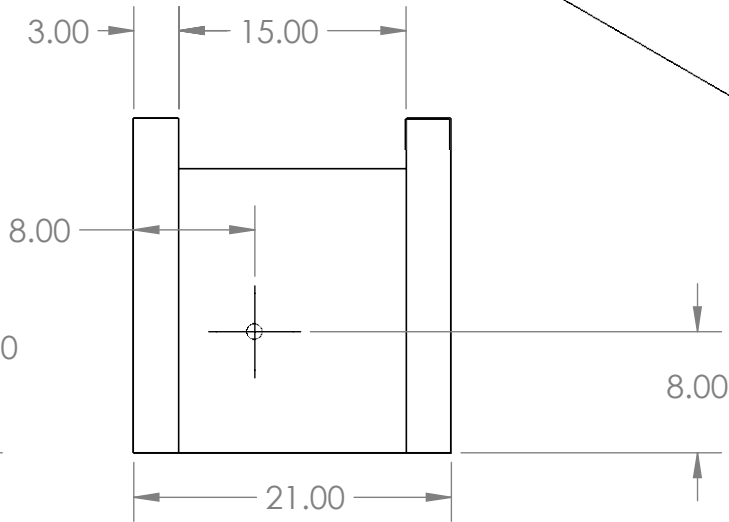
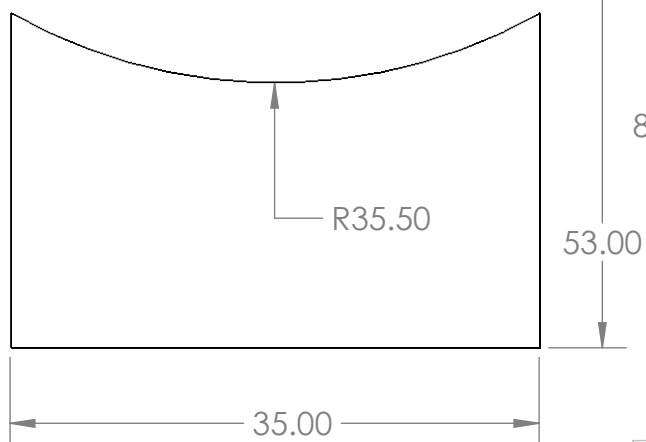
B

B



A

A



UNLESS OTHERWISE SPECIFIED:		NAME	DATE	TITLE: PART 4
DIMENSIONS ARE IN MILLIMETERS	DRAWN			
	CHECKED			
	ENG APPR.			
	MFG APPR.			
INTERPRET GEOMETRIC TOLERANCING PER:	Q.A.			SIZE DWG. NO. REV
MATERIAL PLA PLASTIC	COMMENTS: 3D PRINTED, NO CLEANUP NECESSARY			
FINISH PRINT FINISH				
DO NOT SCALE DRAWING				SCALE: 2:1

2

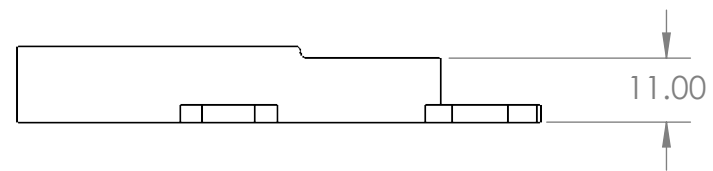
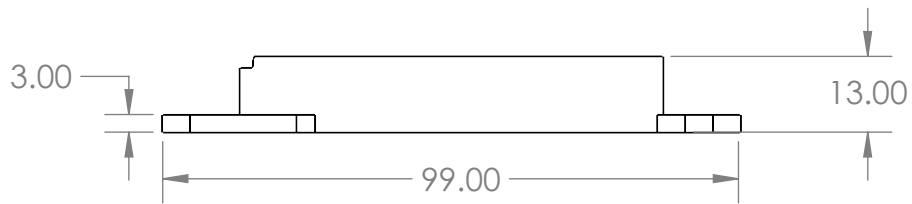
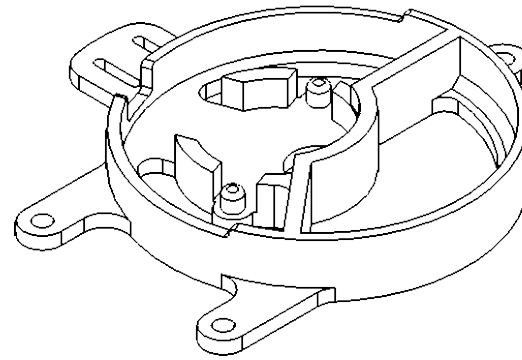
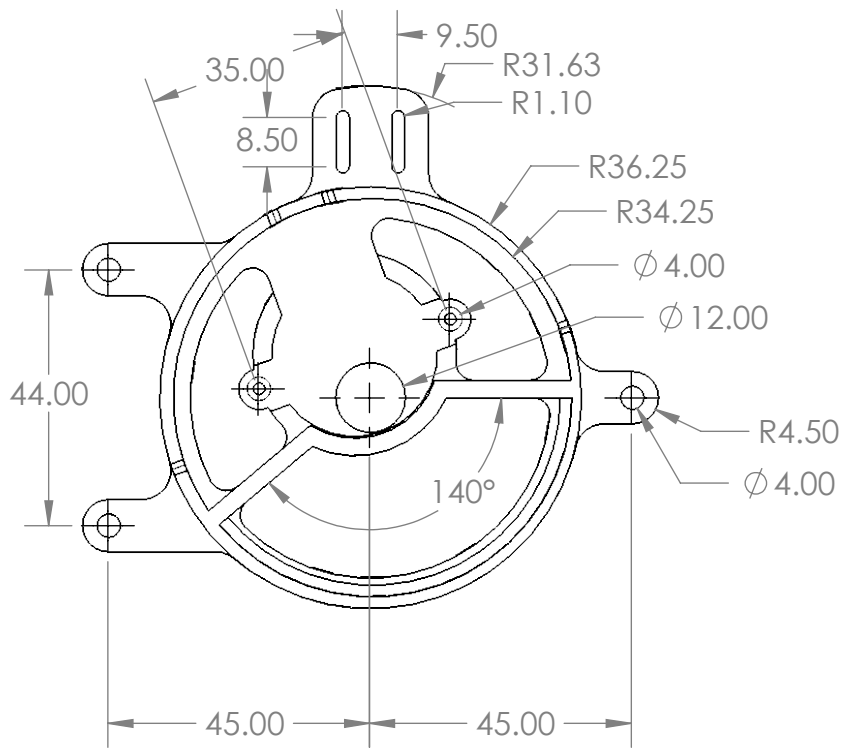
1

2

1

B

B



A

A

UNLESS OTHERWISE SPECIFIED:		NAME	DATE	TITLE: PART 5	
DIMENSIONS ARE IN MILLIMETERS	DRAWN				
	CHECKED				
	ENG APPR.				
	MFG APPR.			SIZE DWG. NO. REV	
INTERPRET GEOMETRIC TOLERANCING PER:	Q.A.				
MATERIAL PLA PLASTIC	COMMENTS: 3D PRINTED, NO CLEANUP NECESSARY			A	
FINISH PRINT FINISH					
DO NOT SCALE DRAWING				SCALE: 1:2	

2

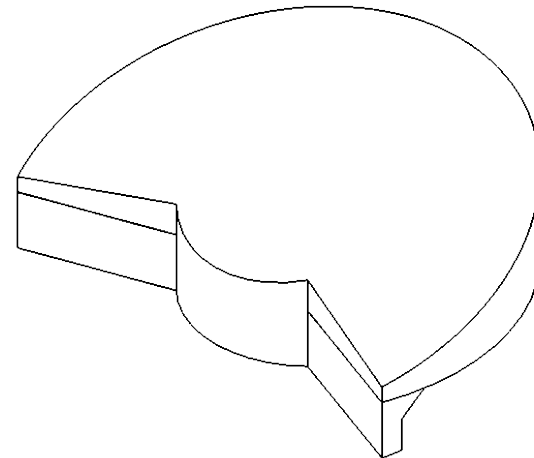
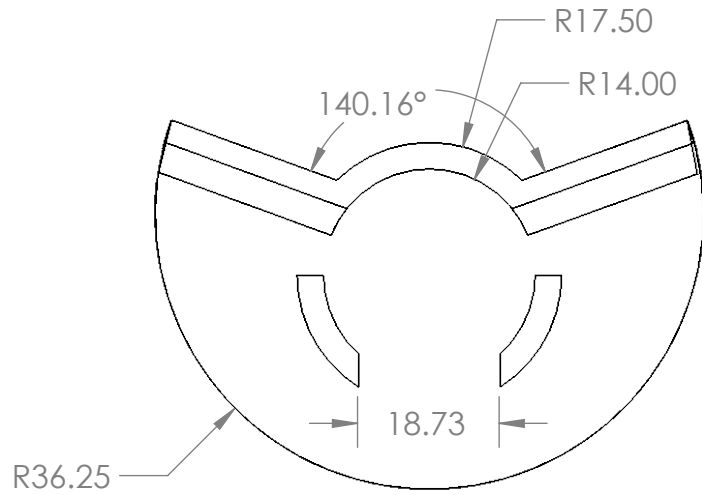
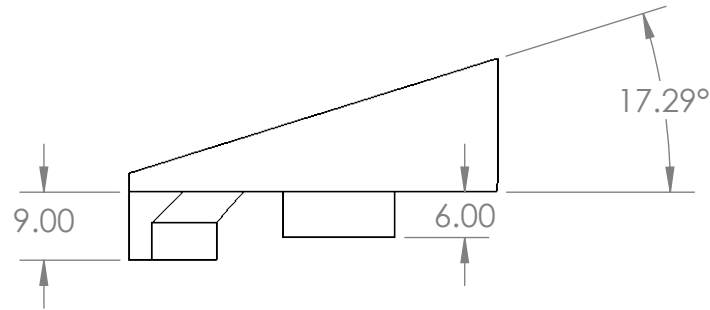
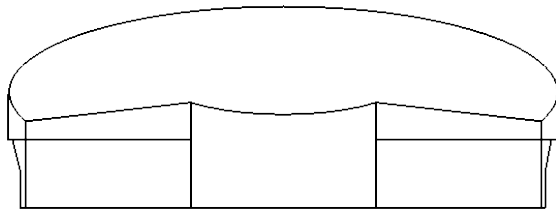
1

2

1

B

B



A

A

UNLESS OTHERWISE SPECIFIED:		NAME	DATE	TITLE: PART 6		
DIMENSIONS ARE IN MILLIMETERS	DRAWN					
	CHECKED					
	ENG APPR.					
	MFG APPR.			SIZE	DWG. NO.	REV
INTERPRET GEOMETRIC TOLERANCING PER:	Q.A.			A		
MATERIAL	COMMENTS: 3D PRINTED, NO CLEANUP NECESSARY					
FINISH						
DO NOT SCALE DRAWING				SCALE: 1:1		

2

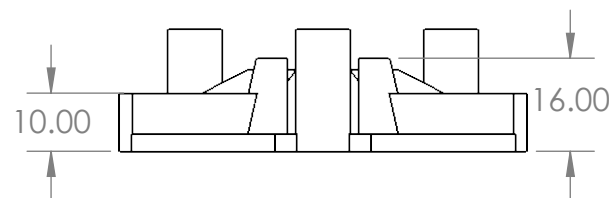
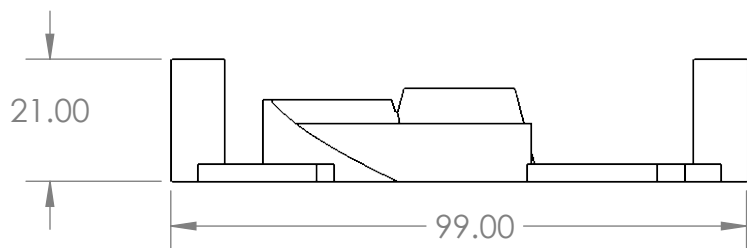
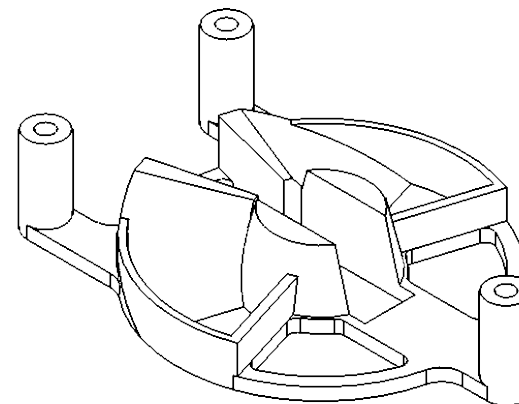
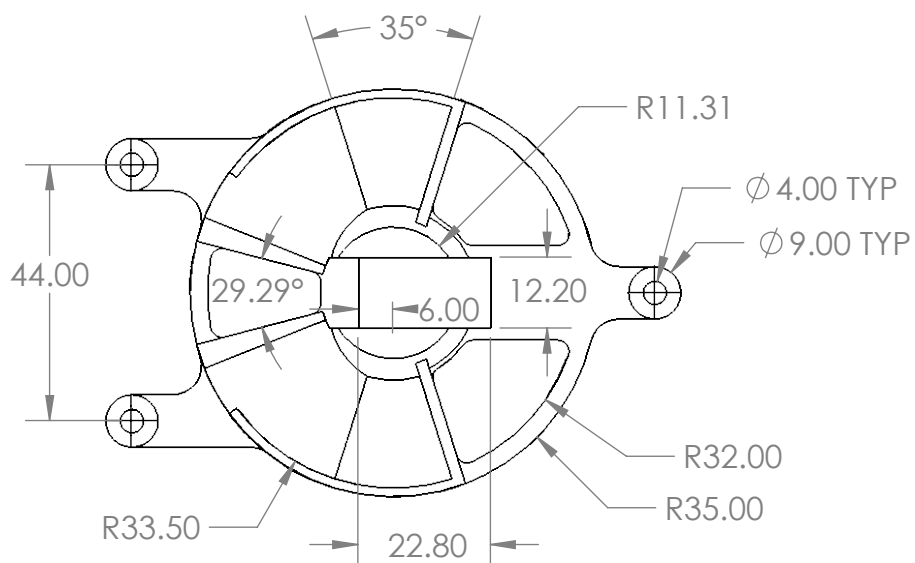
1

2

1

B

B



A

A

UNLESS OTHERWISE SPECIFIED:		NAME	DATE	TITLE: PART 7		
DIMENSIONS ARE IN MILLIMETERS	DRAWN					
	CHECKED					
	ENG APPR.					
	MFG APPR.			SIZE	DWG. NO.	REV
INTERPRET GEOMETRIC TOLERANCING PER:	Q.A.			A		
MATERIAL PLA PLASTIC	COMMENTS: 3D PRINTED, NO CLEANUP NECESSARY			SCALE: 1:2		
FINISH PRINT FINISH						
DO NOT SCALE DRAWING						

2

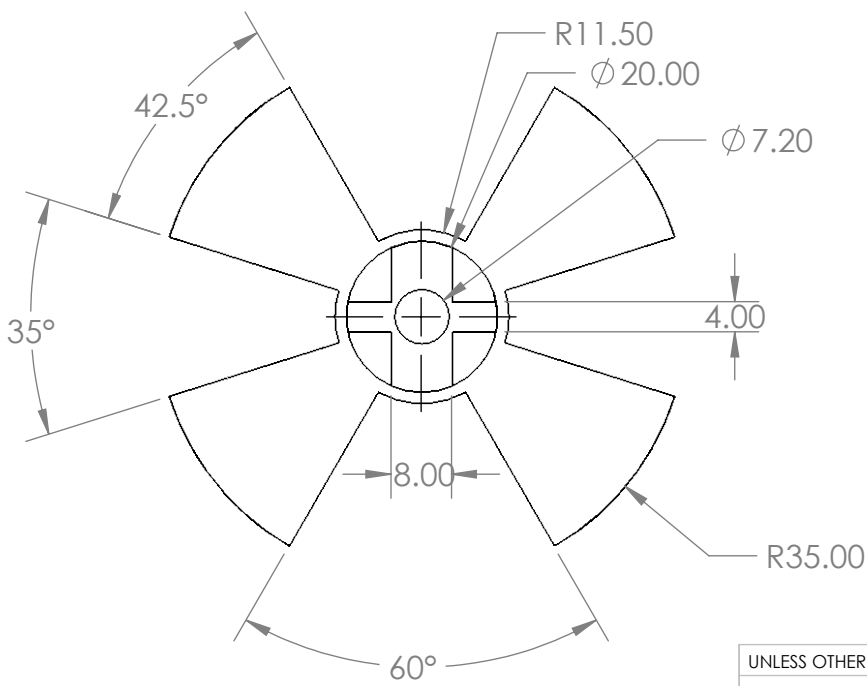
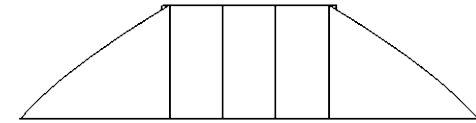
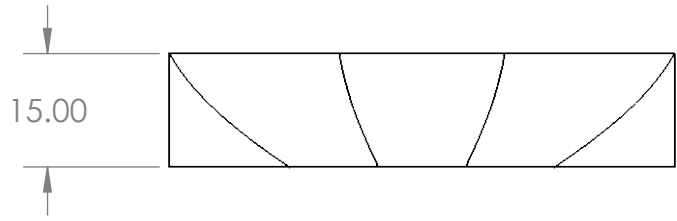
1

2

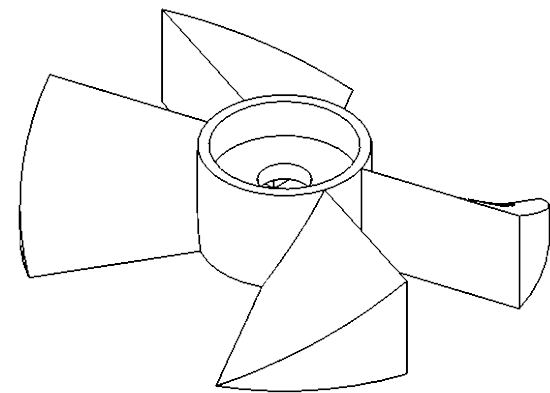
1

B

B



BOTTOM VIEW



A

A

UNLESS OTHERWISE SPECIFIED:		NAME	DATE	TITLE: PART 8		
DIMENSIONS ARE IN MILLIMETERS	DRAWN					
	CHECKED					
	ENG APPR.					
	MFG APPR.			SIZE	DWG. NO.	REV
INTERPRET GEOMETRIC TOLERANCING PER:	Q.A.			A		
MATERIAL PLA PLASTIC	COMMENTS: 3D PRINTED, NO CLEANUP NECESSARY					
FINISH PRINT FINISH						
DO NOT SCALE DRAWING				SCALE: 1:1		

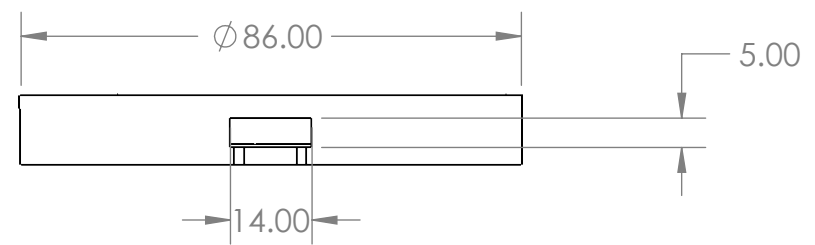
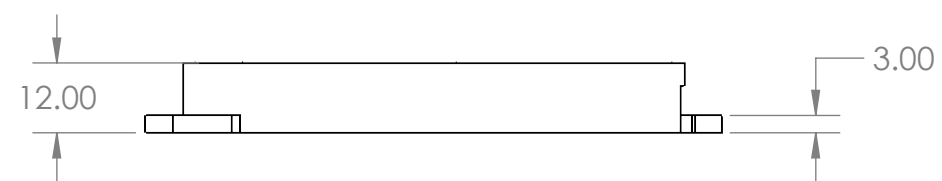
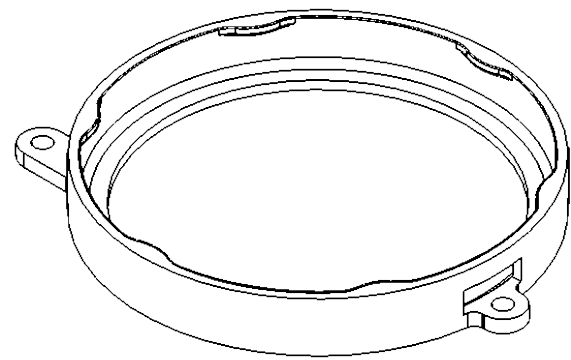
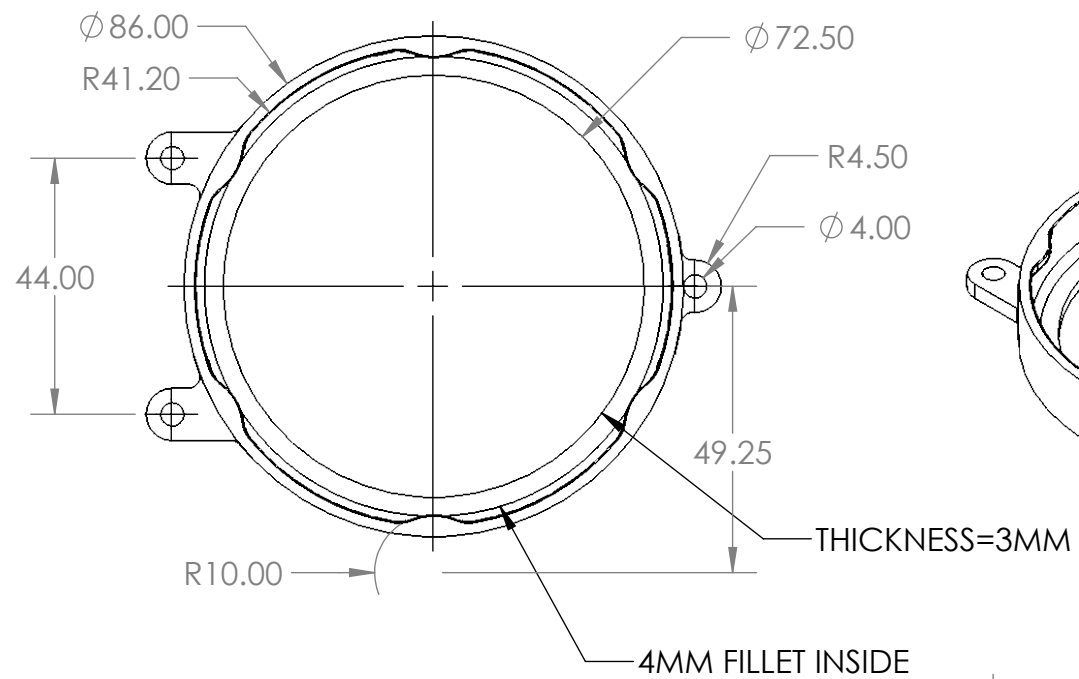
2

1

2 1

B

B

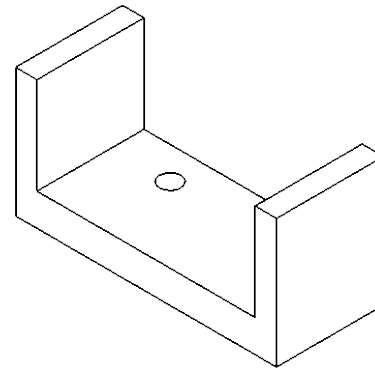
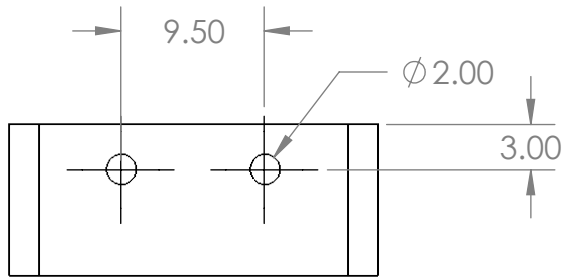


A

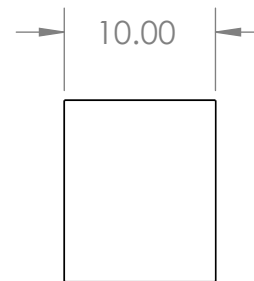
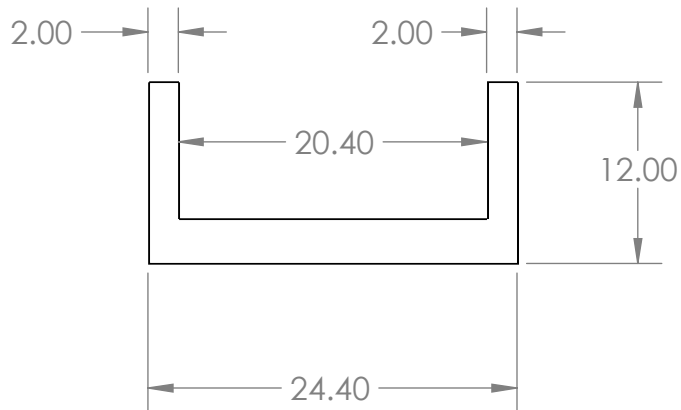
A

UNLESS OTHERWISE SPECIFIED:		NAME	DATE	TITLE: PART 9
DIMENSIONS ARE IN MILLIMETERS	DRAWN			
	CHECKED			
	ENG APPR.			
	MFG APPR.			
INTERPRET GEOMETRIC TOLERANCING PER:	Q.A.			
MATERIAL PLA PLASTIC	COMMENTS: 3D PRINTED, NO CLEANUP NECESSARY			SIZE A
FINISH PRINT FINISH				DWG. NO.
DO NOT SCALE DRAWING				REV
				SCALE: 1:2

B



B



A

UNLESS OTHERWISE SPECIFIED:		NAME	DATE	TITLE: PART 10		
DIMENSIONS ARE IN MILLIMETERS	DRAWN					
	CHECKED					
	ENG APPR.					
	MFG APPR.			SIZE	DWG. NO.	REV
INTERPRET GEOMETRIC TOLERANCING PER:	Q.A.			A		
MATERIAL PLA PLASTIC	COMMENTS: 3D PRINTED, NO CLEANUP NECESSARY			SCALE: 2:1		
FINISH PRINT FINISH						
DO NOT SCALE DRAWING						

A

2

1

2

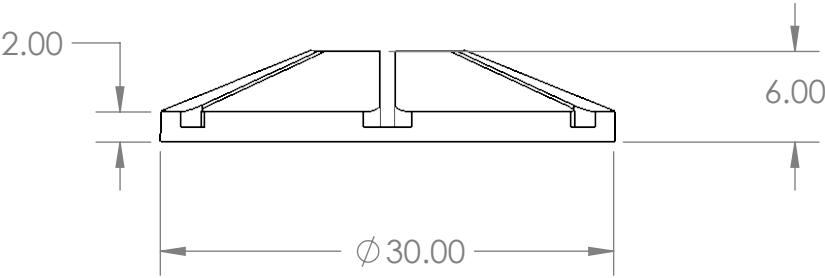
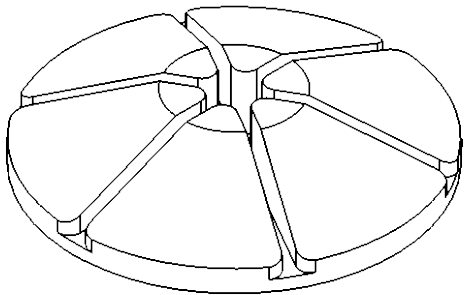
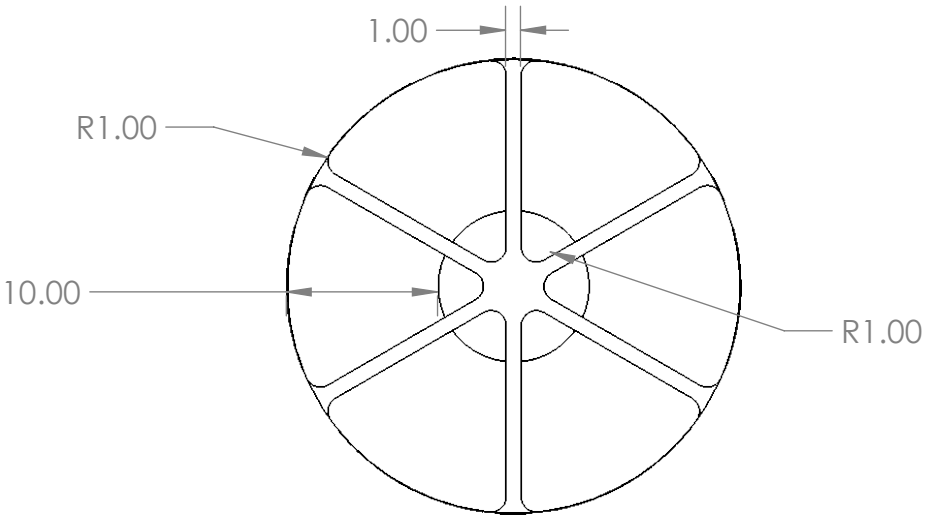
1

2

1

B

B



A

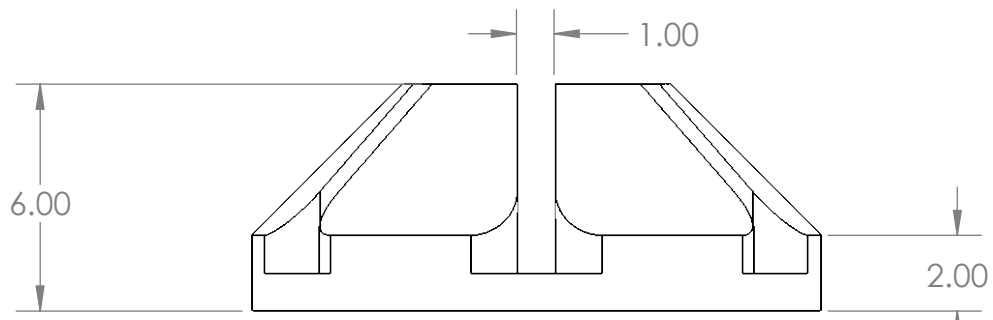
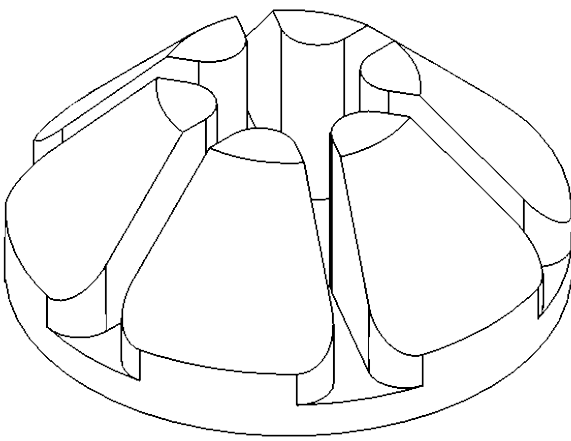
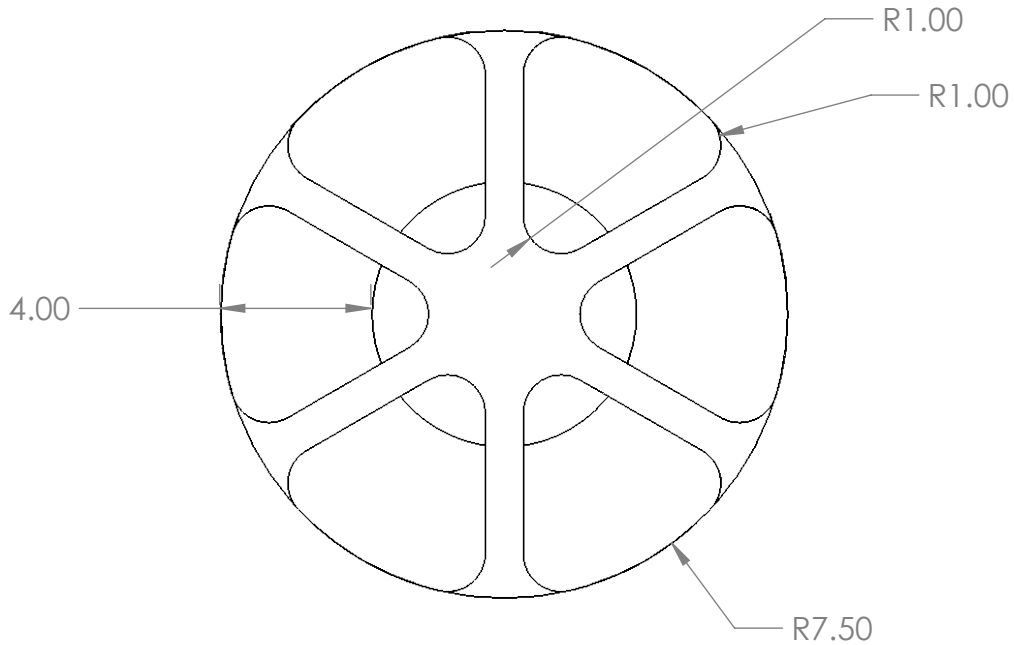
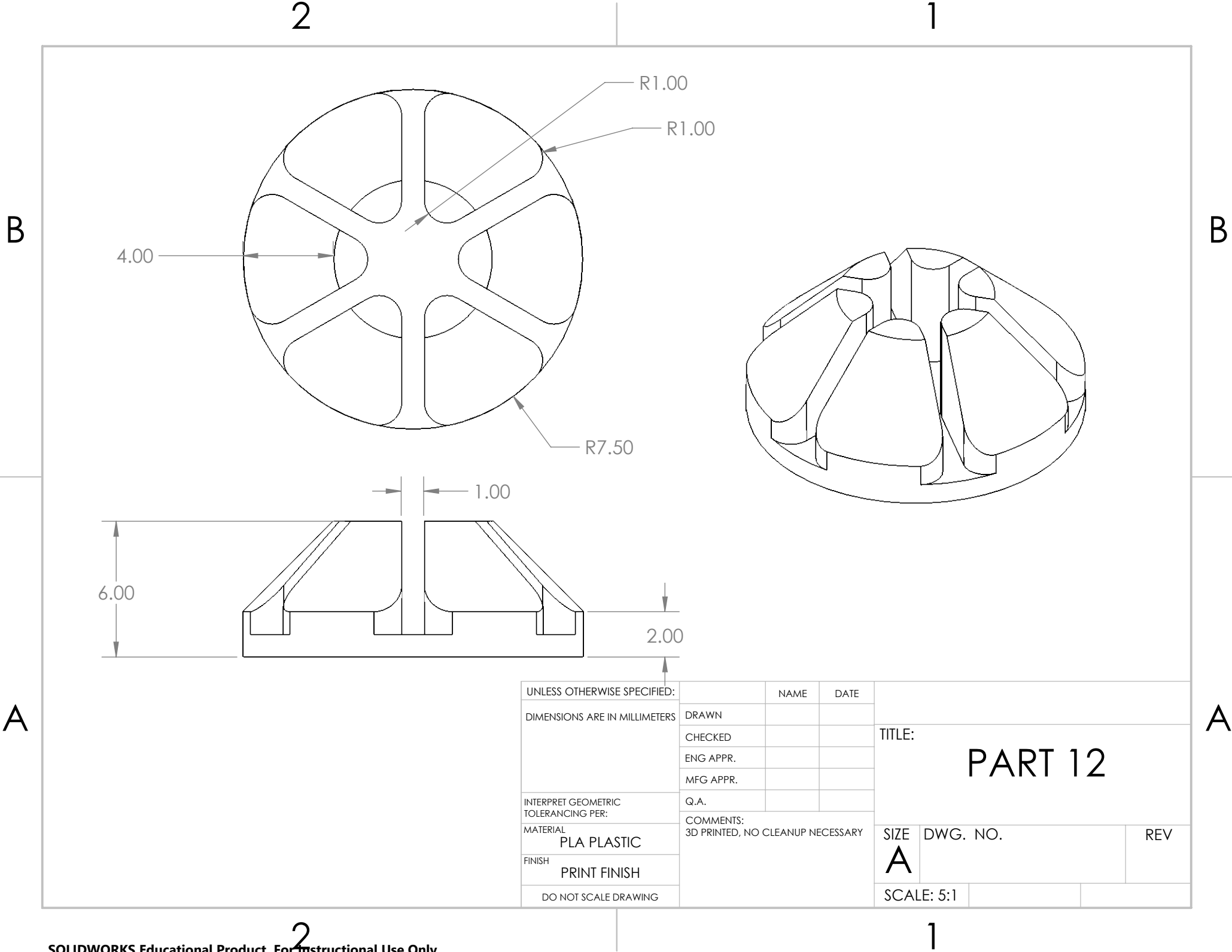
A

UNLESS OTHERWISE SPECIFIED:		NAME	DATE
DIMENSIONS ARE IN MILLIMETERS	DRAWN		
	CHECKED		
	ENG APPR.		
	MFG APPR.		
INTERPRET GEOMETRIC TOLERANCING PER:	Q.A.		
MATERIAL PLA PLASTIC	COMMENTS: 3D PRINTED, NO CLEANUP NECESSARY		
FINISH PRINT FINISH			
DO NOT SCALE DRAWING			

TITLE: PART 11		
SIZE A	DWG. NO.	REV
SCALE: 2:1		

2

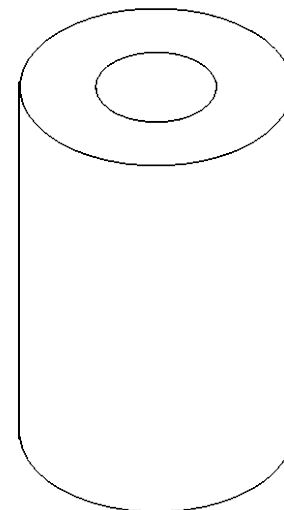
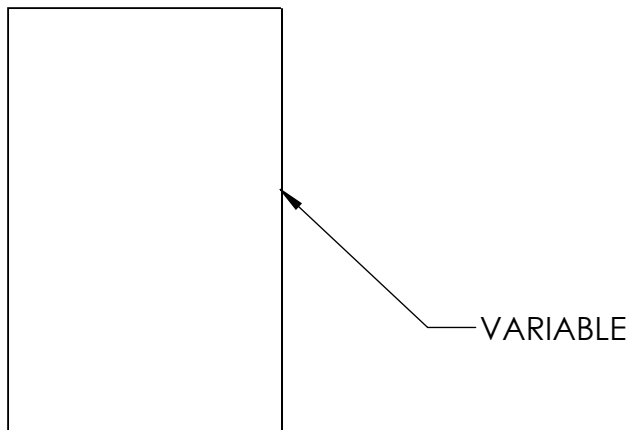
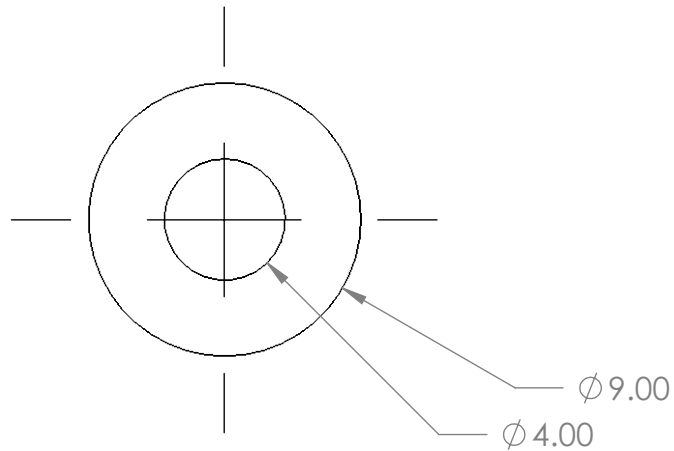
1



UNLESS OTHERWISE SPECIFIED:		NAME	DATE	TITLE: PART 12
DIMENSIONS ARE IN MILLIMETERS	DRAWN			
	CHECKED			
	ENG APPR.			
	MFG APPR.			
INTERPRET GEOMETRIC TOLERANCING PER:	Q.A.			
MATERIAL PLA PLASTIC	COMMENTS: 3D PRINTED, NO CLEANUP NECESSARY			SIZE A
FINISH PRINT FINISH				DWG. NO.
DO NOT SCALE DRAWING				REV
	SCALE: 5:1			

2

1



B

B

A

A

UNLESS OTHERWISE SPECIFIED:		NAME	DATE	TITLE: SPACER EXAMPLE		
DIMENSIONS ARE IN MILLIMETERS	DRAWN					
	CHECKED					
	ENG APPR.					
	MFG APPR.					
INTERPRET GEOMETRIC TOLERANCING PER:	Q.A.			SIZE A	DWG. NO.	REV
MATERIAL PLA PLASTIC	COMMENTS: 3D PRINTED, NO CLEANUP NECESSARY					
FINISH PRINT FINISH						
DO NOT SCALE DRAWING	SCALE: 5:1					

2

1