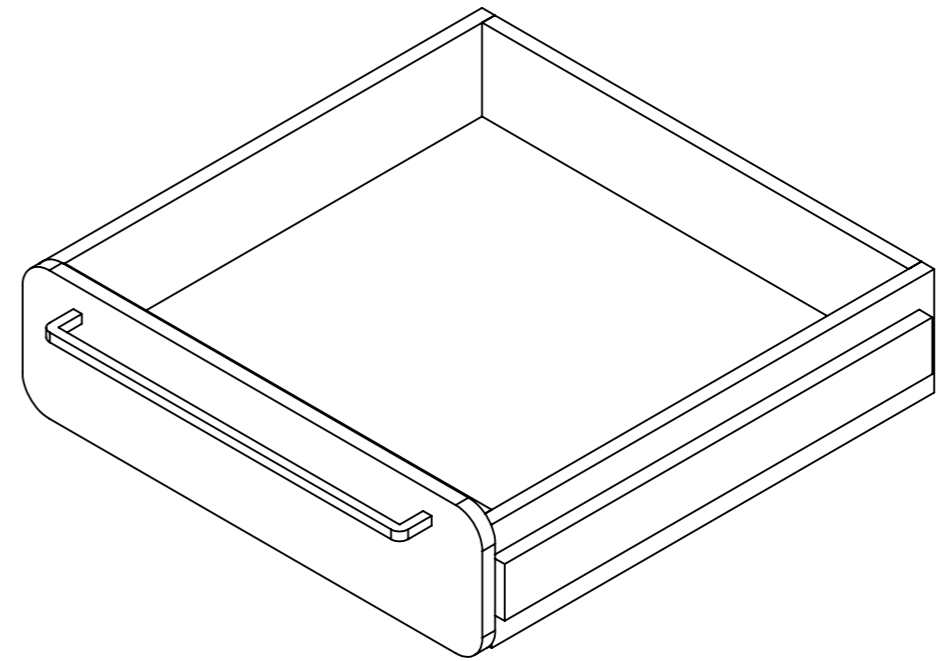
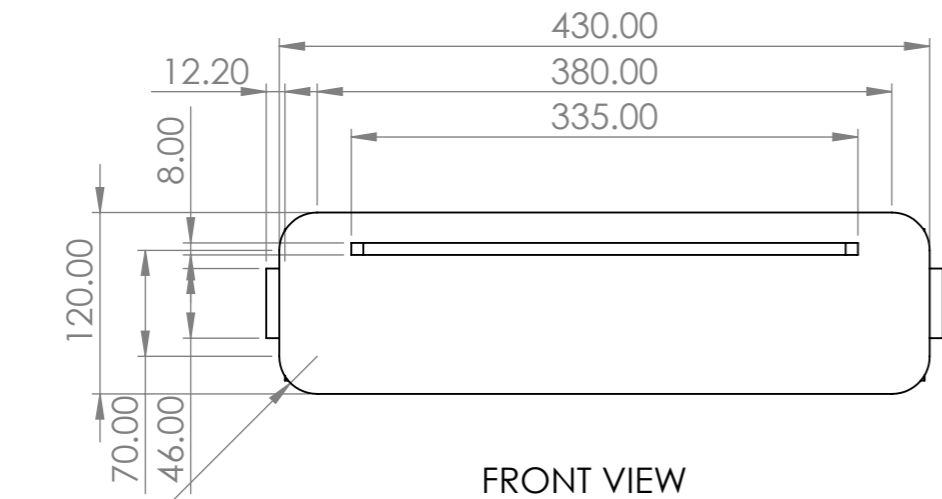


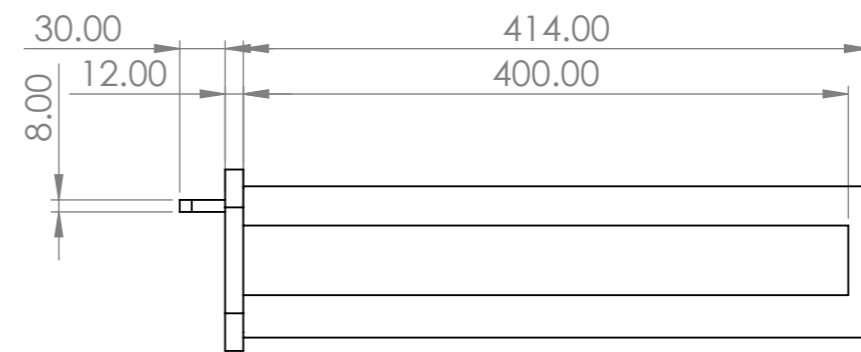
TOP VIEW



ISOMETRIC VIEW



FRONT VIEW



SIDE VIEW

UNLESS OTHERWISE SPECIFIED: DIMENSIONS ARE IN MILLIMETERS SURFACE FINISH: TOLERANCES: LINEAR: ANGULAR:			FINISH:		DEBURR AND BREAK SHARP EDGES		DO NOT SCALE DRAWING		REVISION			
DRAWN Yvette McMaster			SIGNATURE		DATE 16/10/21		TITLE: <b>Part 1: Drawer Small Assembly</b>					
CHK'D			APPV'D		MFG		Q.A		MATERIAL:		DWG NO. 2	
A3			WEIGHT:		SCALE:1:5		SHEET 1 of 1					