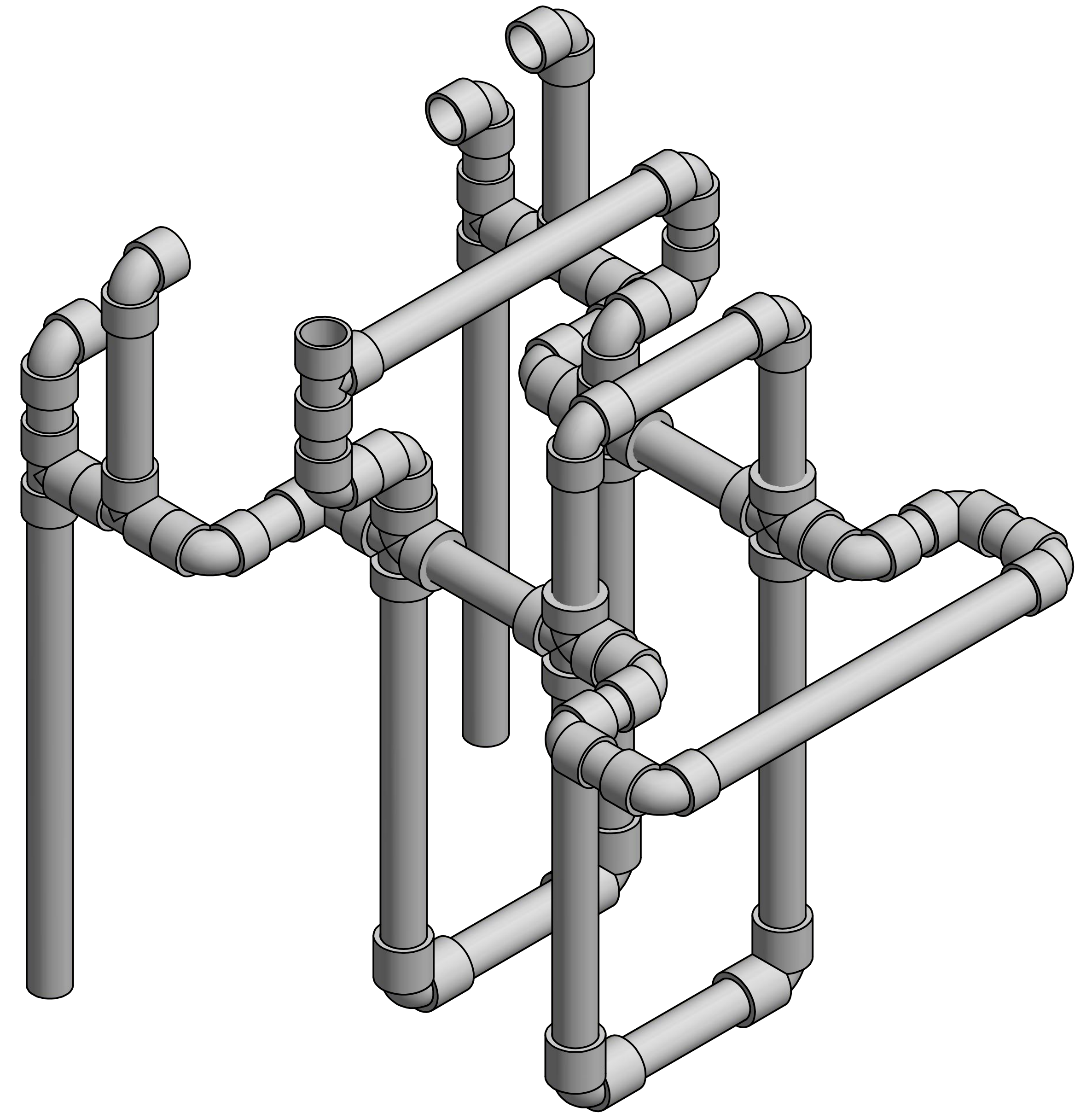
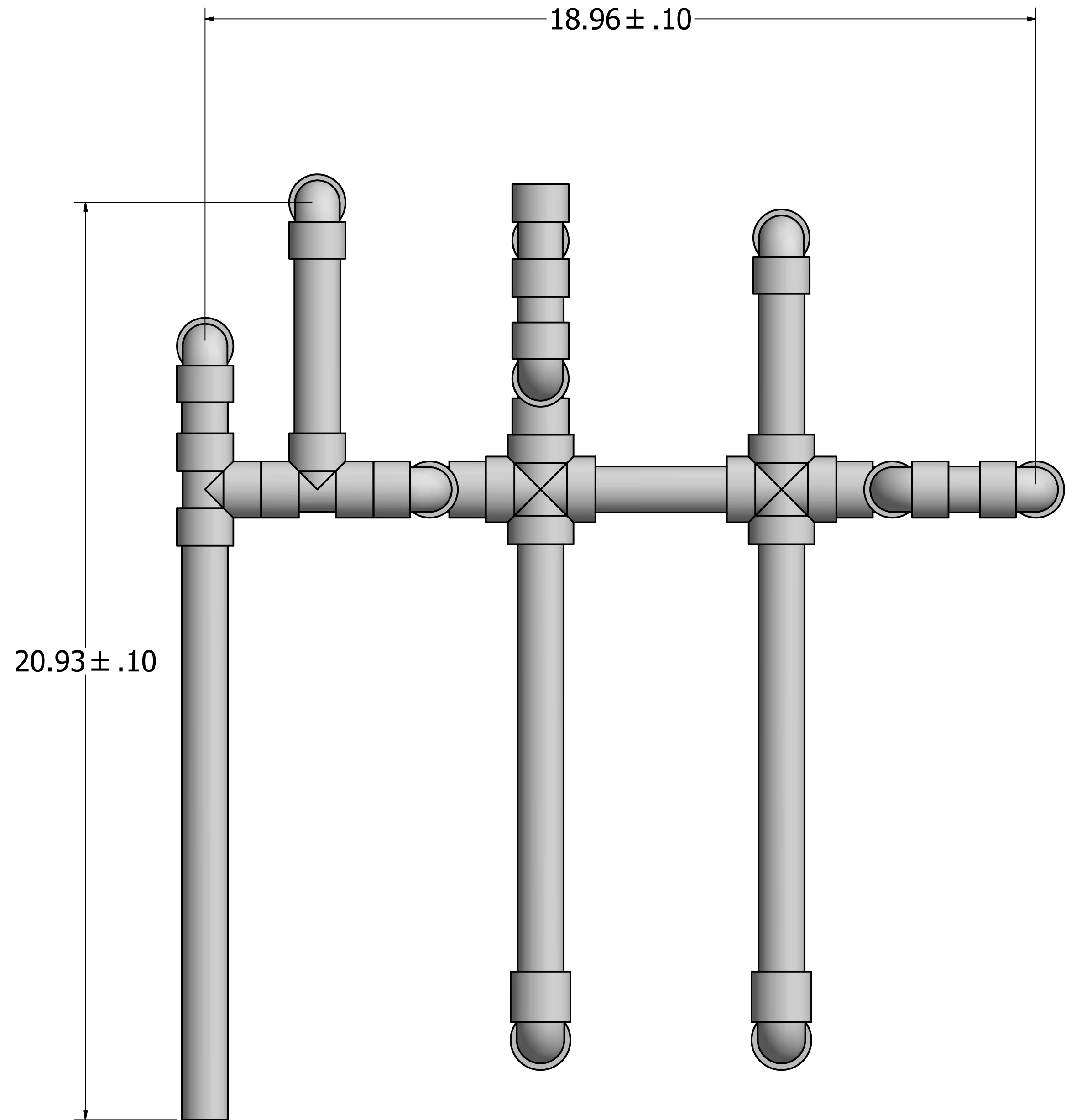


Everywhere there is a **Blue X** is where a hole needs to be drilled to attach the unit for quick assembly in the future

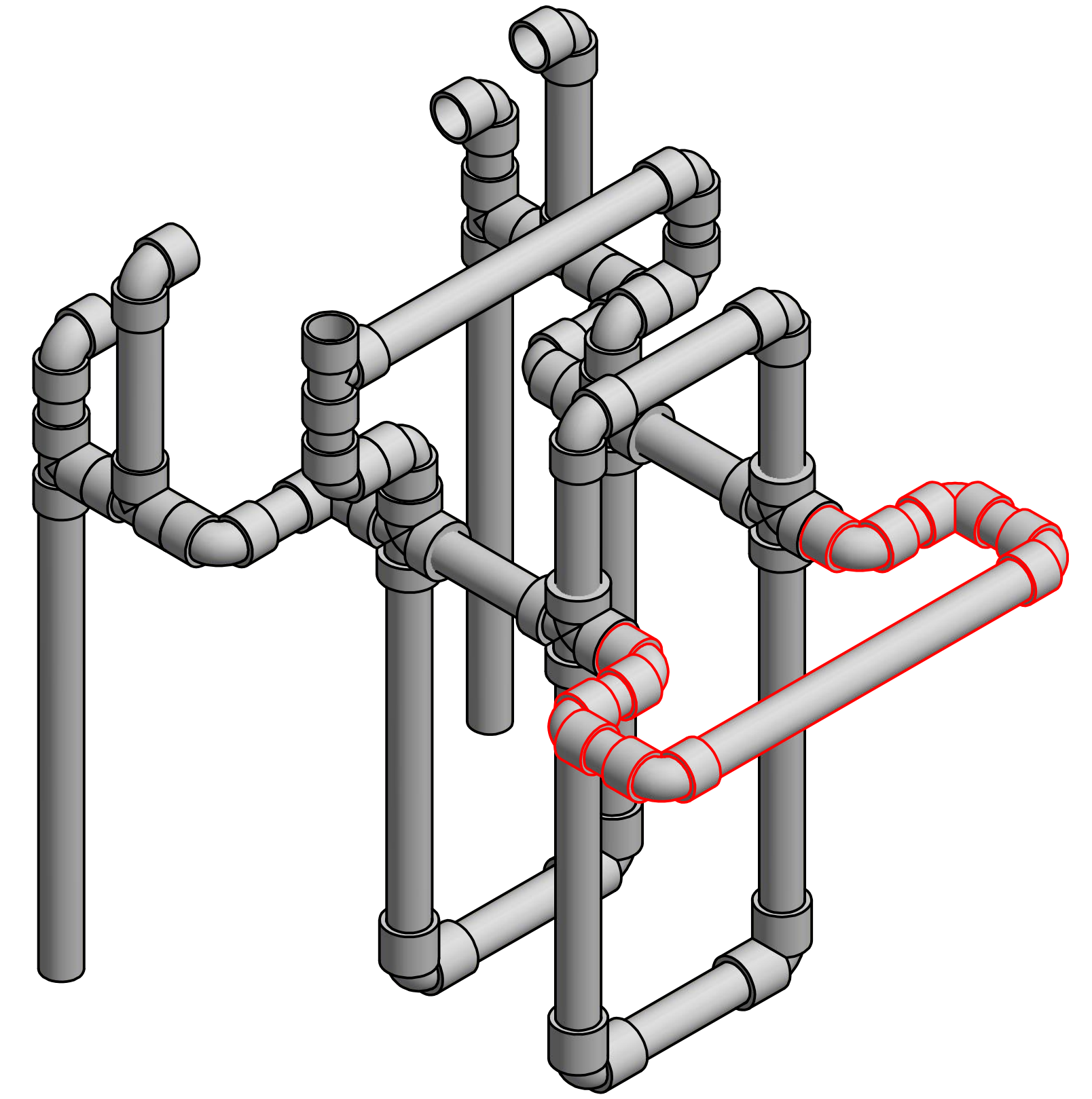
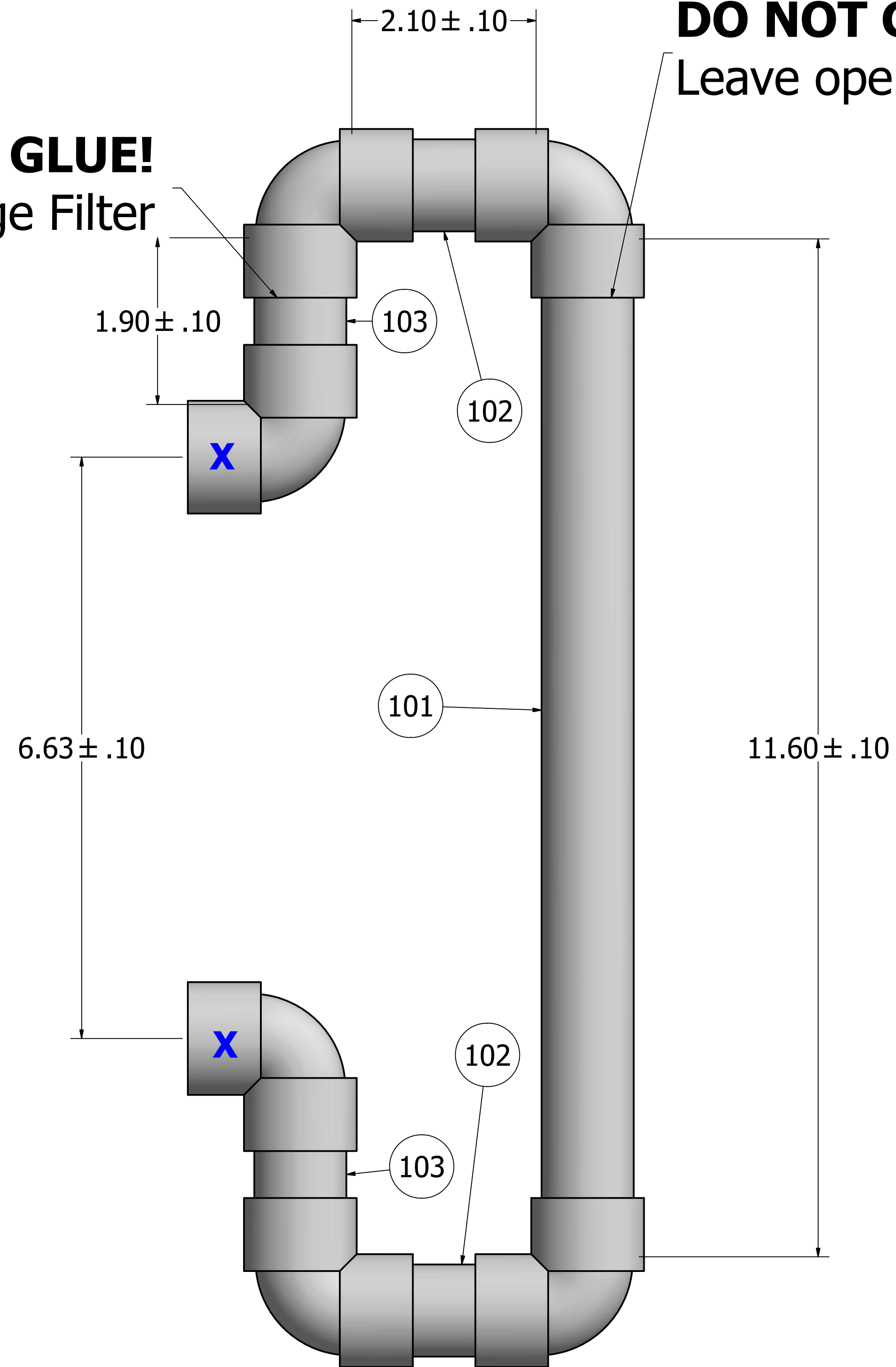


DRAWN Evan McDonald	1/16/2020	Rewind Filters		
CHECKED Donald Price	1/15/2020	TITLE		
QA		PVC Frame MFG DWG		
MFG Miles Pappas		SIZE D	DWG NO 100-500	REV 01
APPROVED Sal Coluccio	12/4/2019	SCALE 1 / 2	SHEET 1 OF 6	

Entrance Assembly (100)			
Item	Size	Length (in)	Qty
101	3/4"	11.6	1
102	3/4"	2.1	2
103	3/4"	1.9	2

**DO NOT GLUE!**  
Leave open to Change Filter

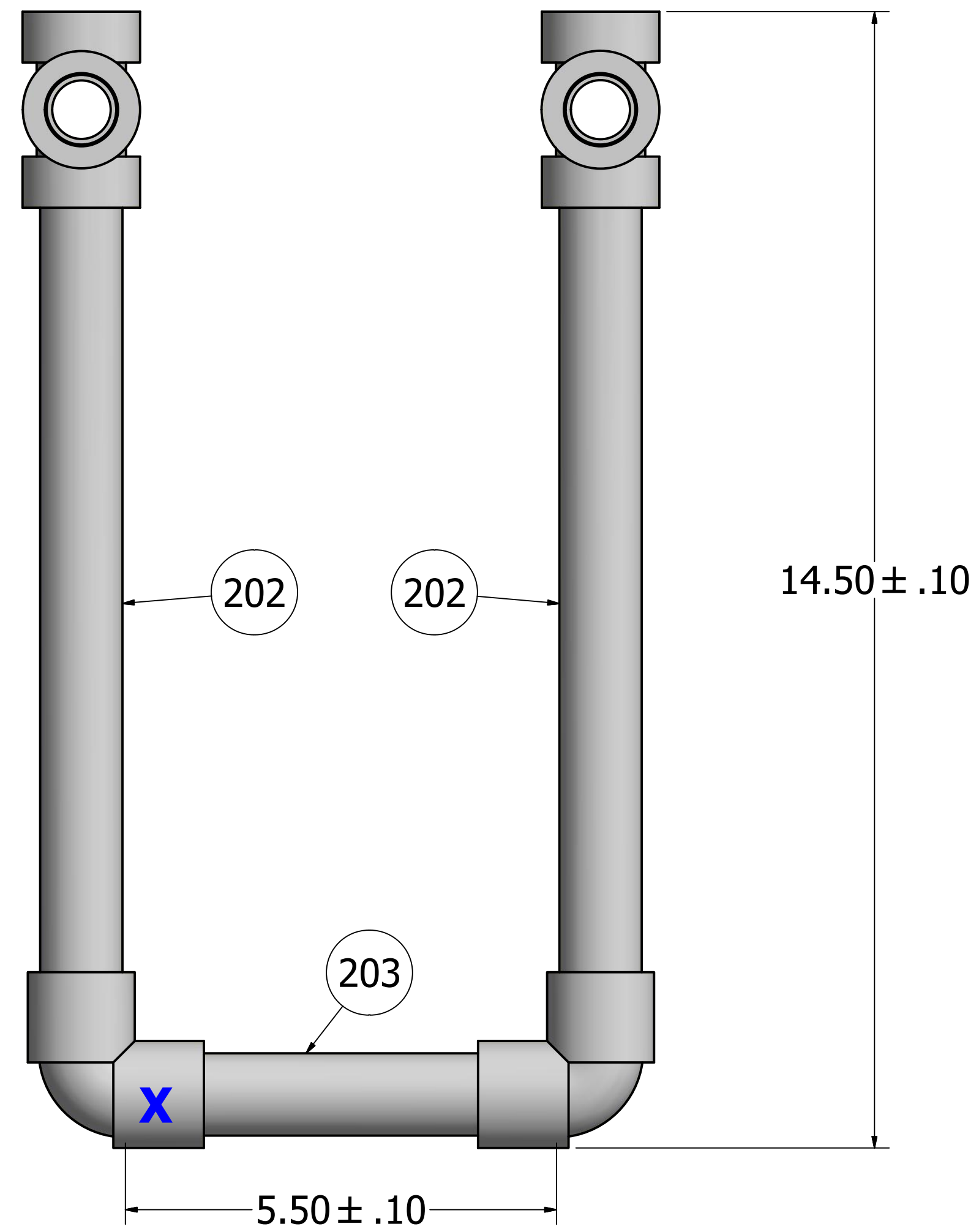
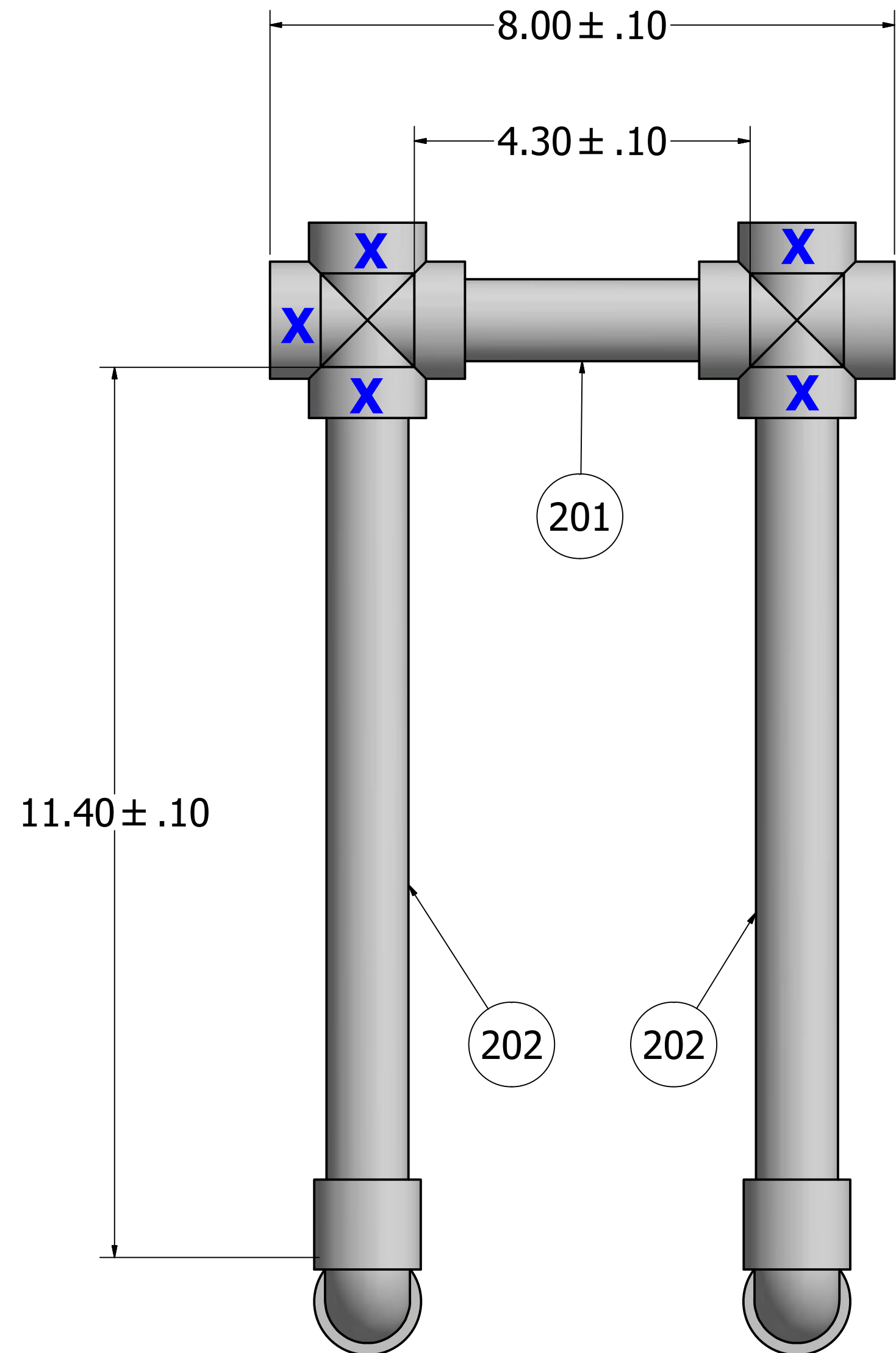
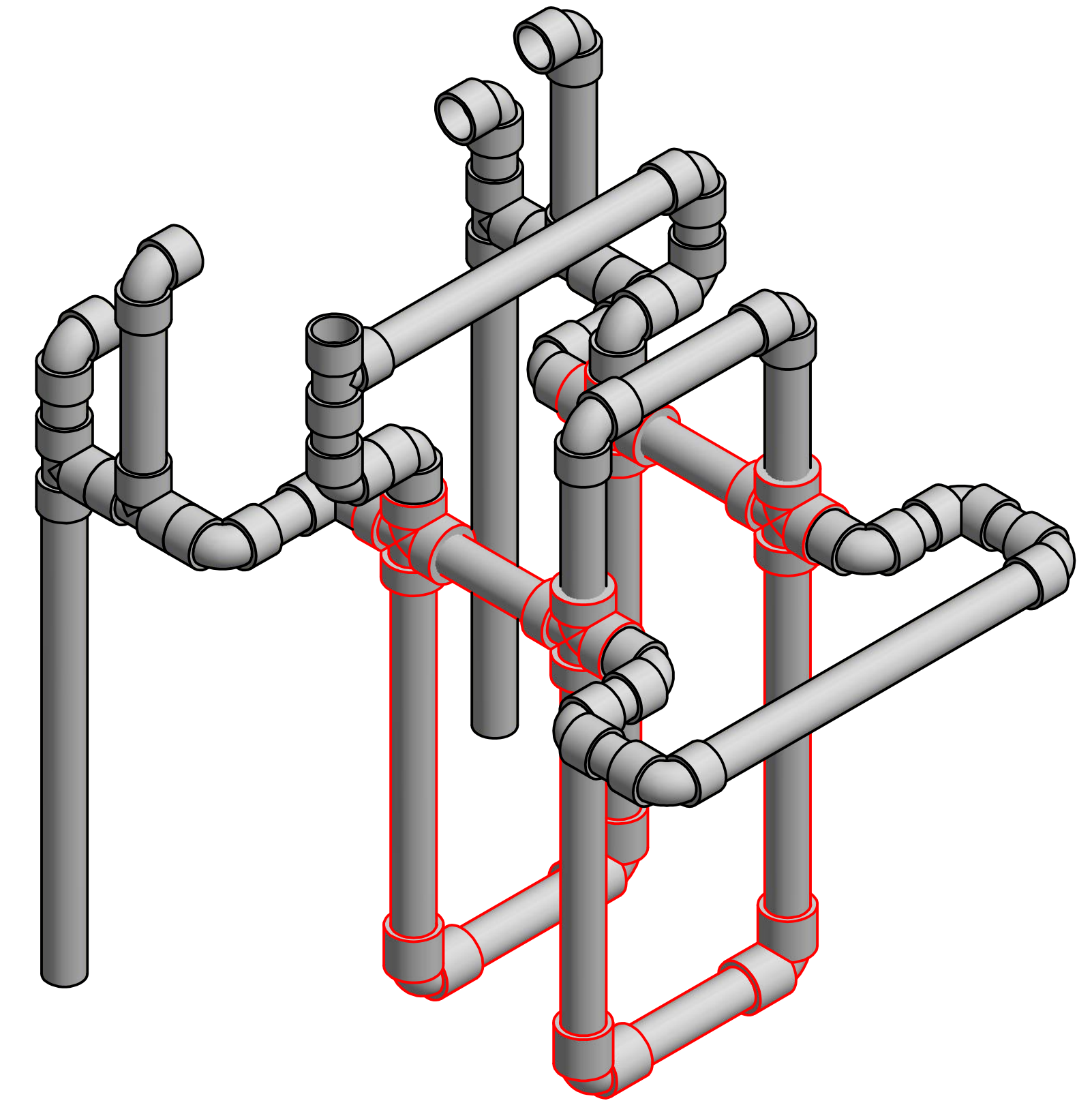
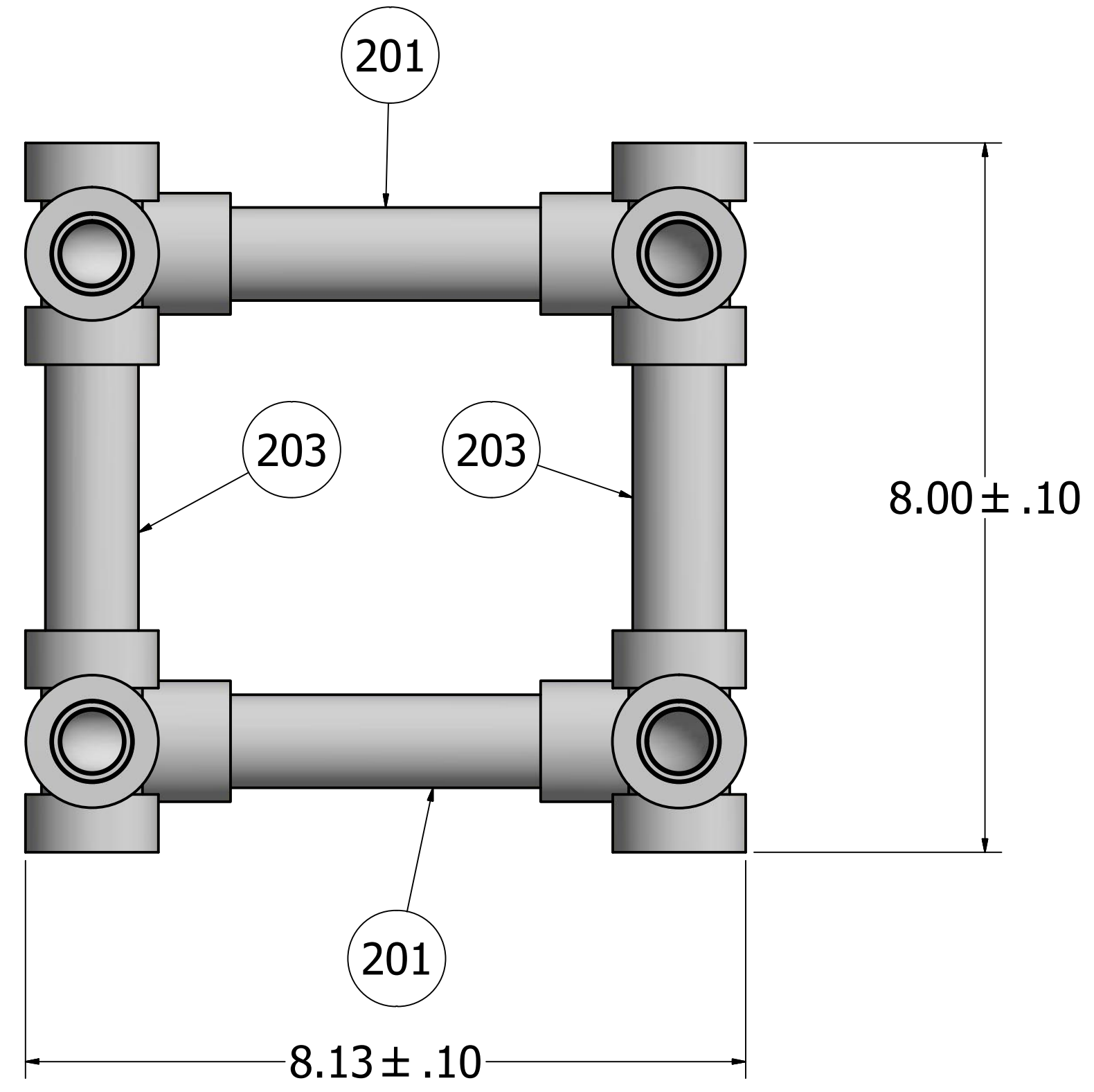
**DO NOT GLUE!**  
Leave open to Change Filter



DRAWN Evan McDonald	1/16/2020	Rewind Filters	
CHECKED Donald Price	1/15/2020	TITLE	
QA		PVC Frame MFG DWG	
MFG Miles Pappas		SIZE D	DWG NO 100-500
APPROVED Sal Coluccio	12/4/2019	SCALE 1	REV 01
		SHEET 2 OF 6	



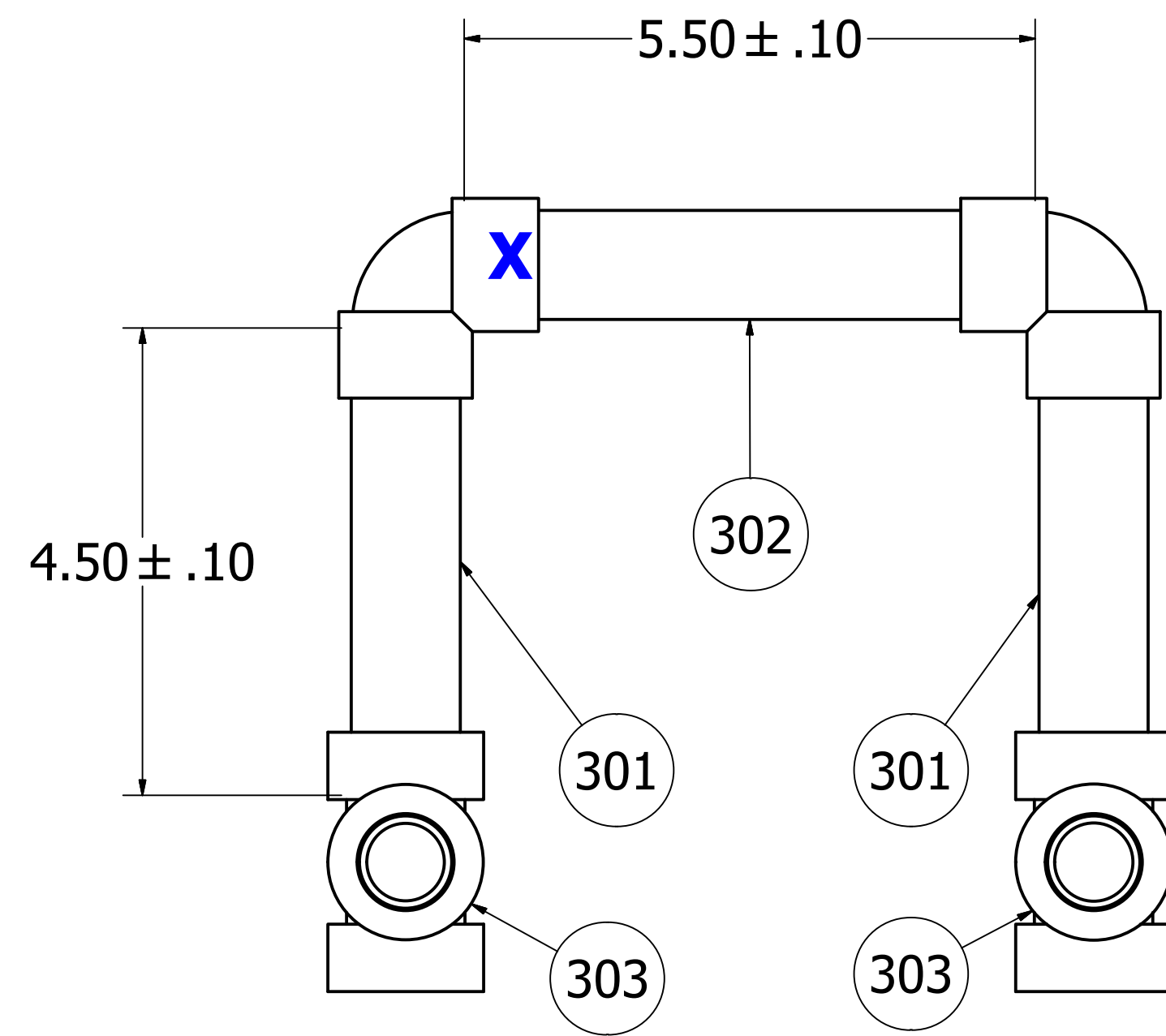
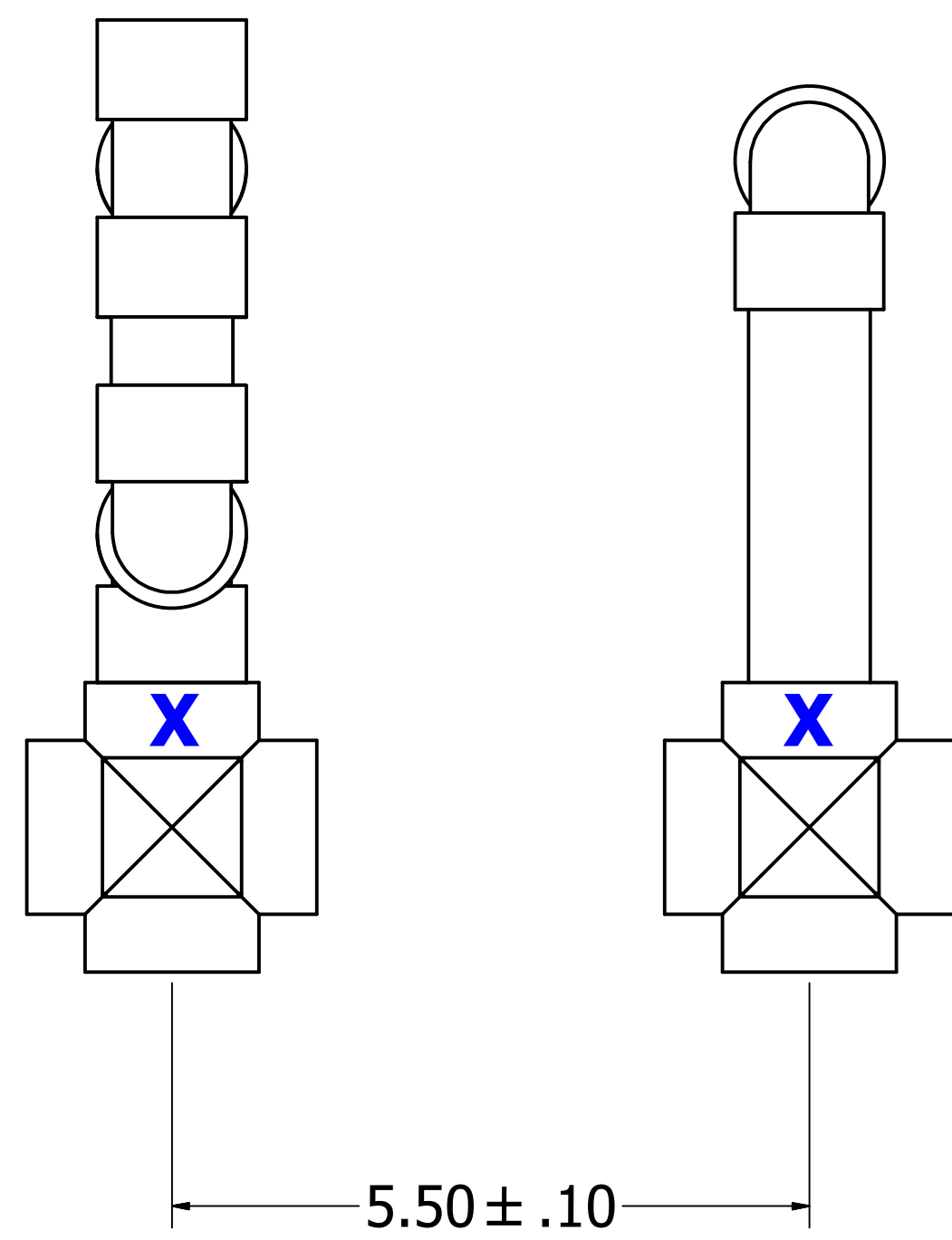
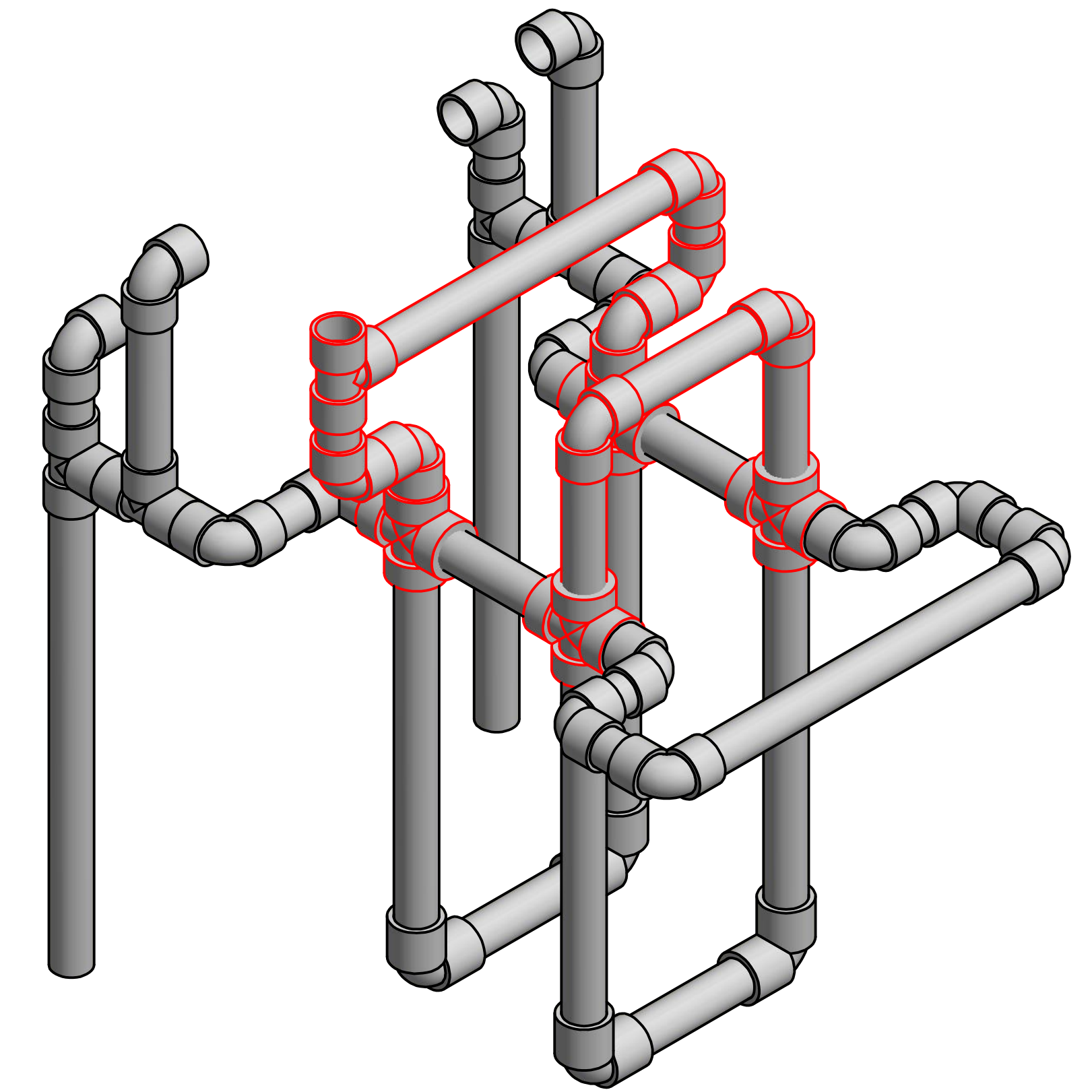
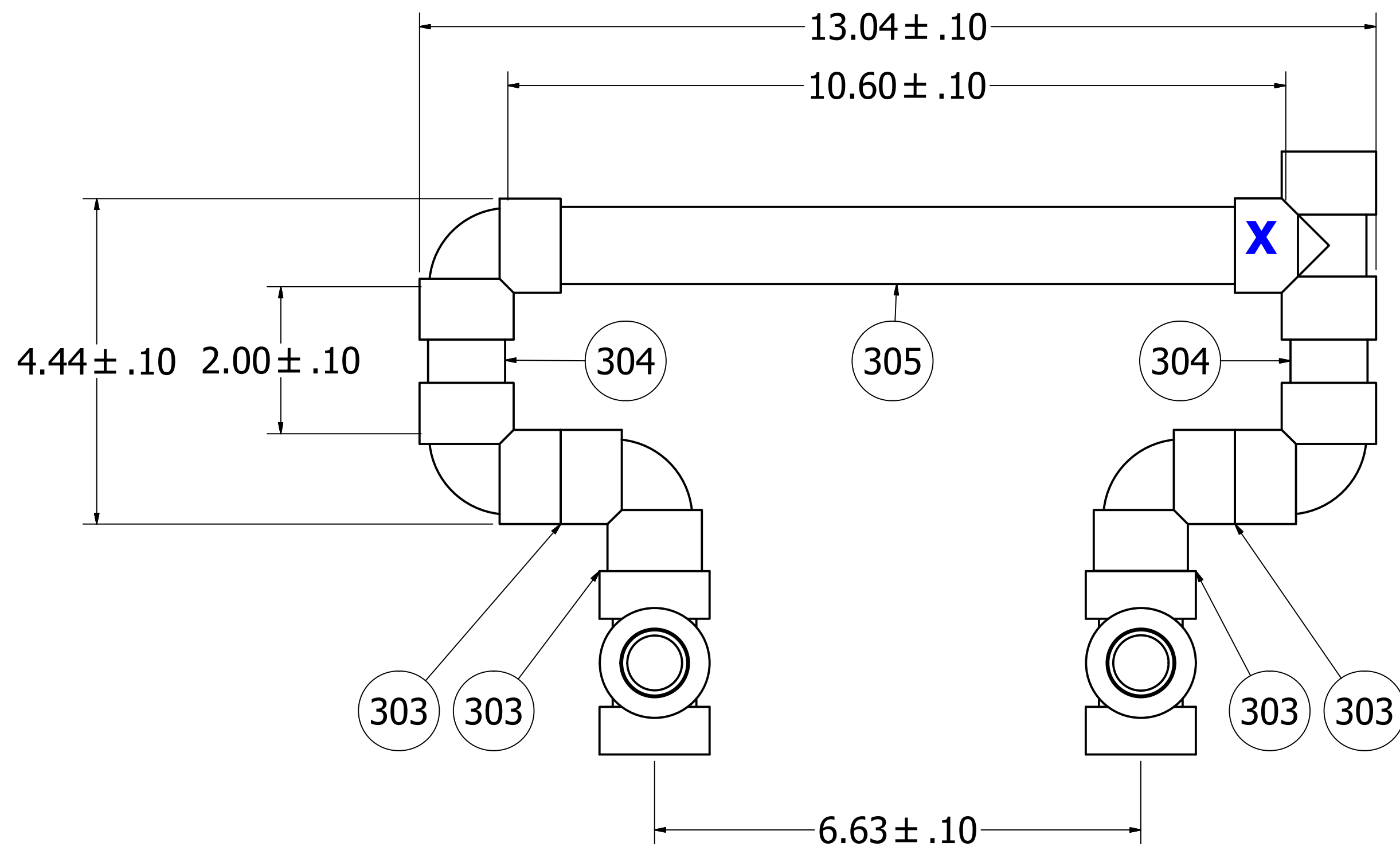
Cleaning Assembly Bottom (200)			
Item	Size	Length (in)	Qty
201	3/4"	4.3	2
202	3/4"	11.4	4
203	3/4"	5.5	2



DRAWN Evan McDonald	1/16/2020	Rewind Filters		
CHECKED Donald Price	1/15/2020	TITLE		
QA		PVC Frame MFG DWG		
MFG Miles Pappas		SIZE D	DWG NO 100-500	REV 01
APPROVED Sal Coluccio	12/4/2019	SCALE 2/3	SHEET 3 OF 6	

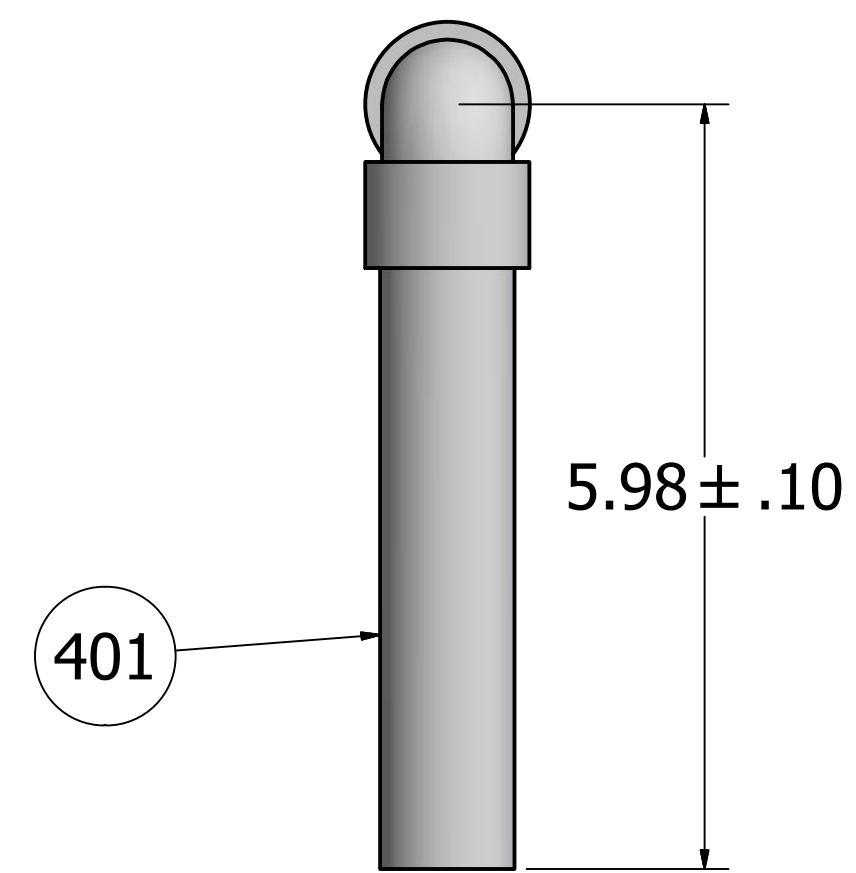
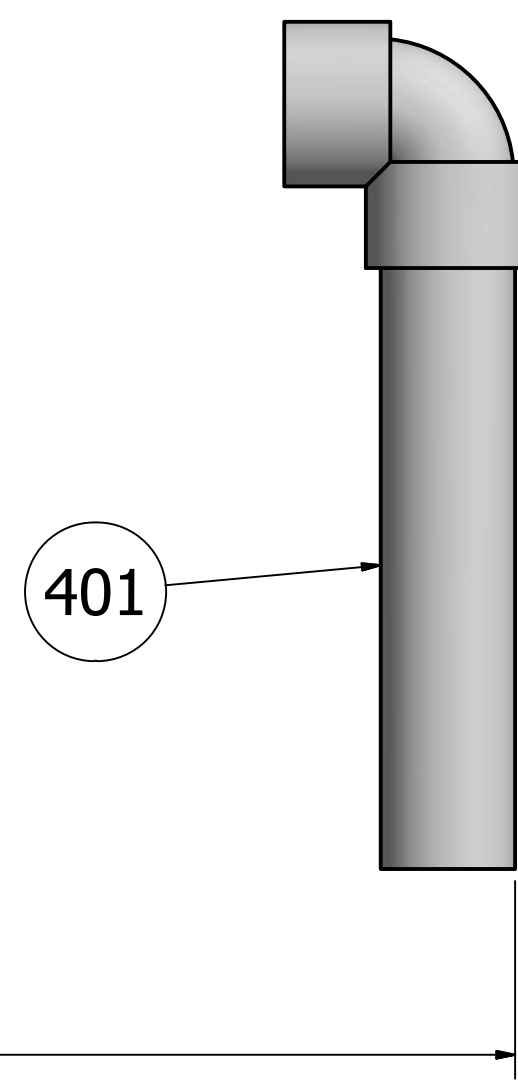
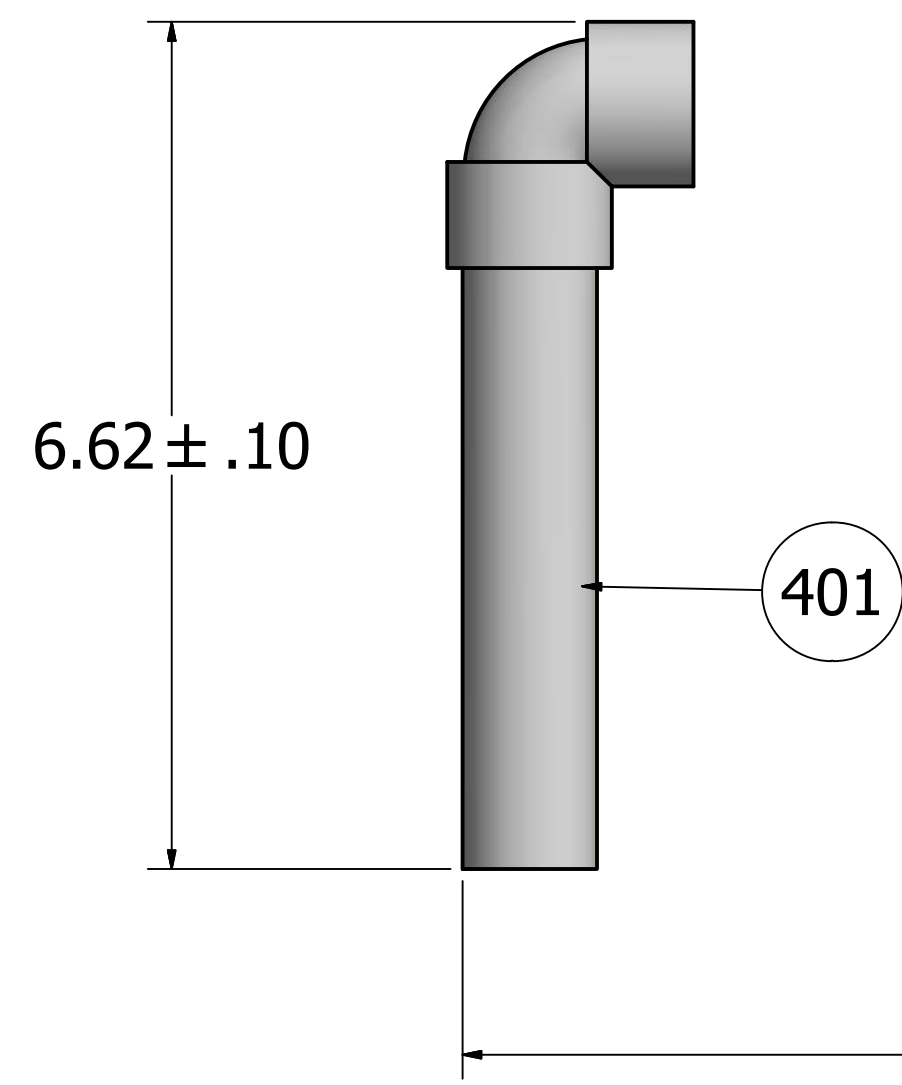
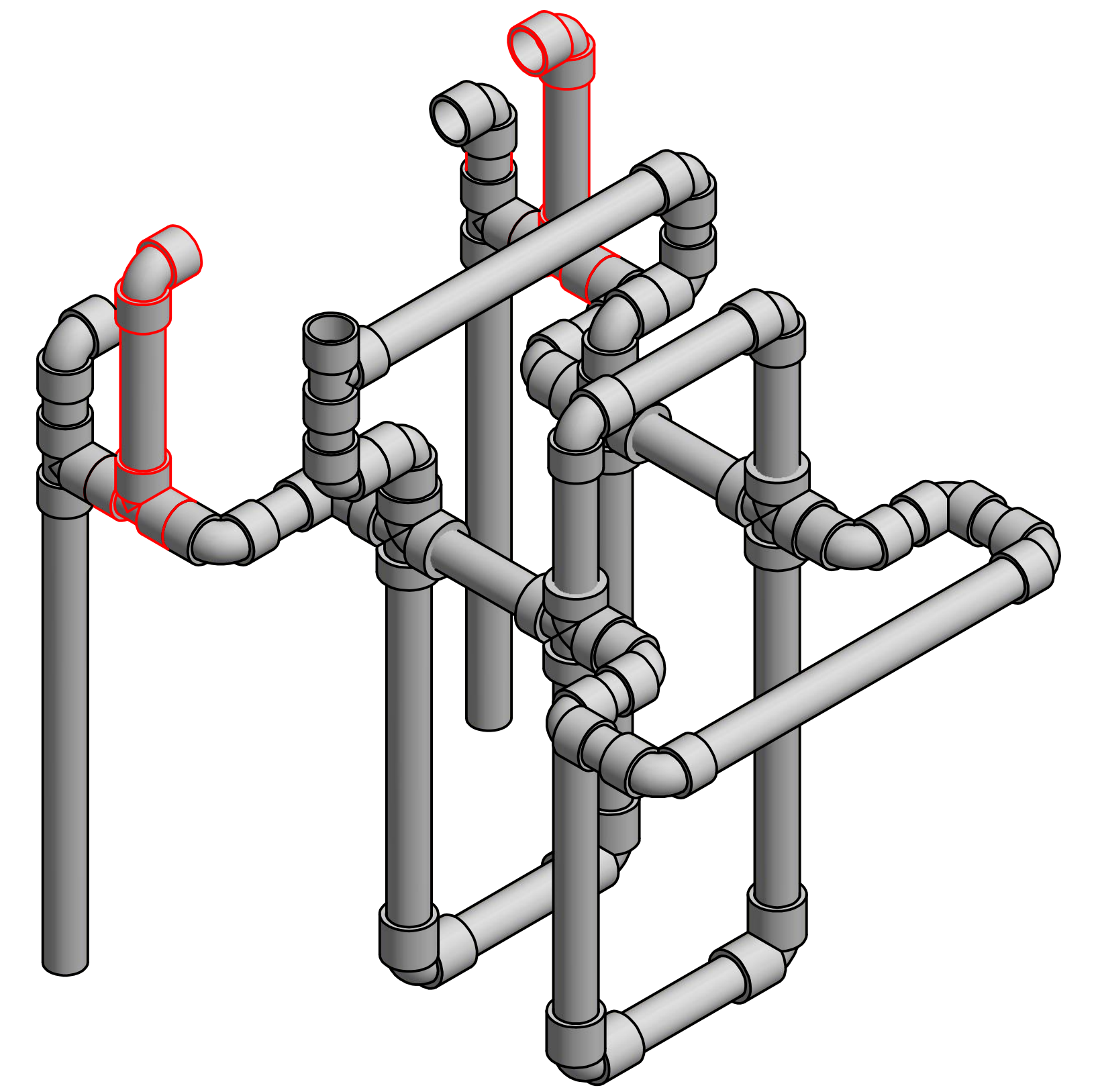
Cleaning Assembly Top (300)			
Item	Size	Length (in)	Qty
301	3/4"	4.5	2
302	3/4"	5.5	1
303	3/4"	1.438	6
304	3/4"	2	2
305	3/4"	10.6	1

All Fitting to Fitting connection pieces are 1.44" long



DRAWN Evan McDonald	1/16/2020	Rewind Filters	
CHECKED Donald Price	1/15/2020	TITLE	
QA		PVC Frame MFG DWG	
MFG Miles Pappas		SIZE D	DWG NO 100-500
APPROVED Sal Coluccio	12/4/2019	SCALE 2/3	REV 01
		SHEET 4 OF 6	

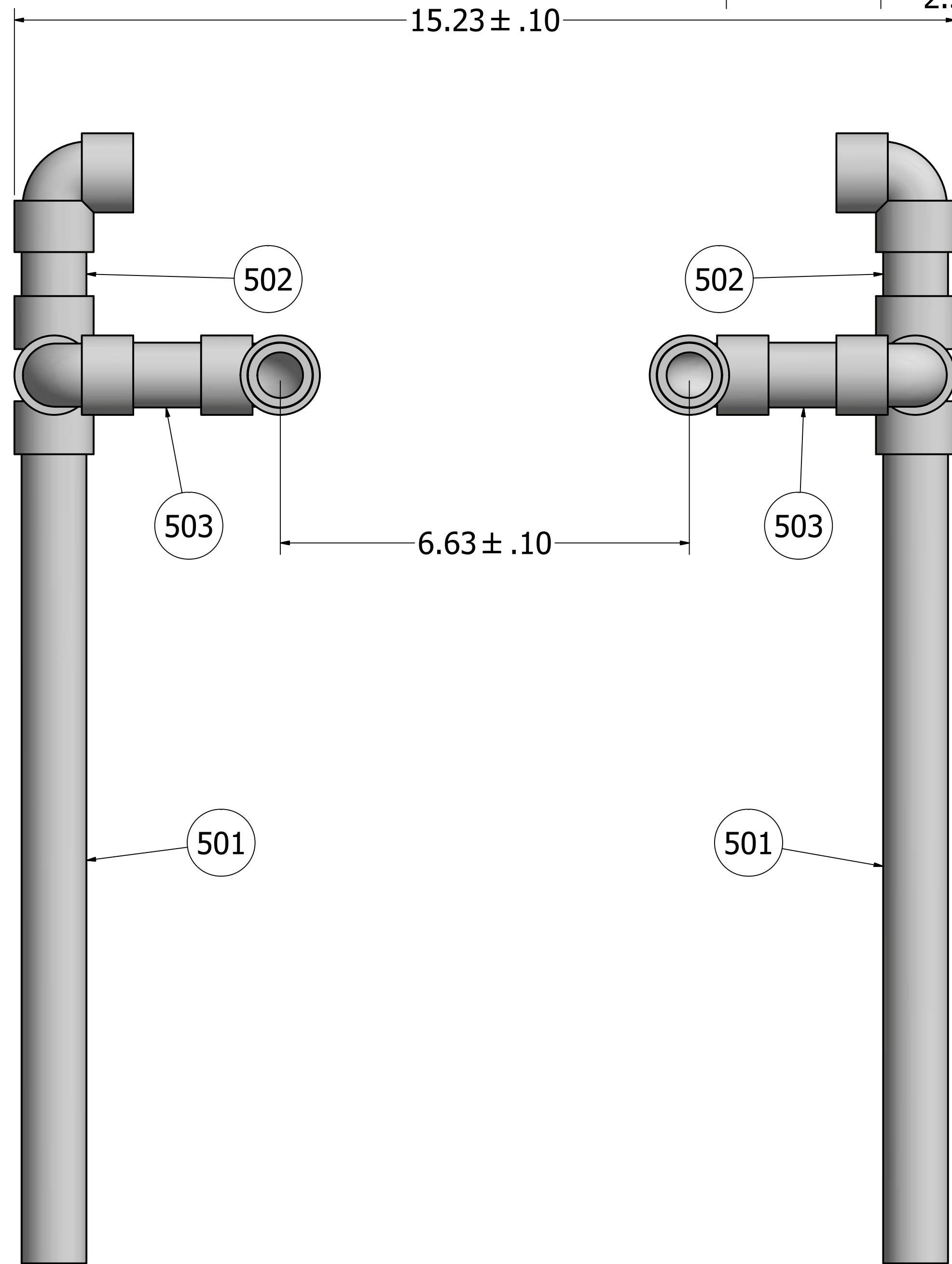
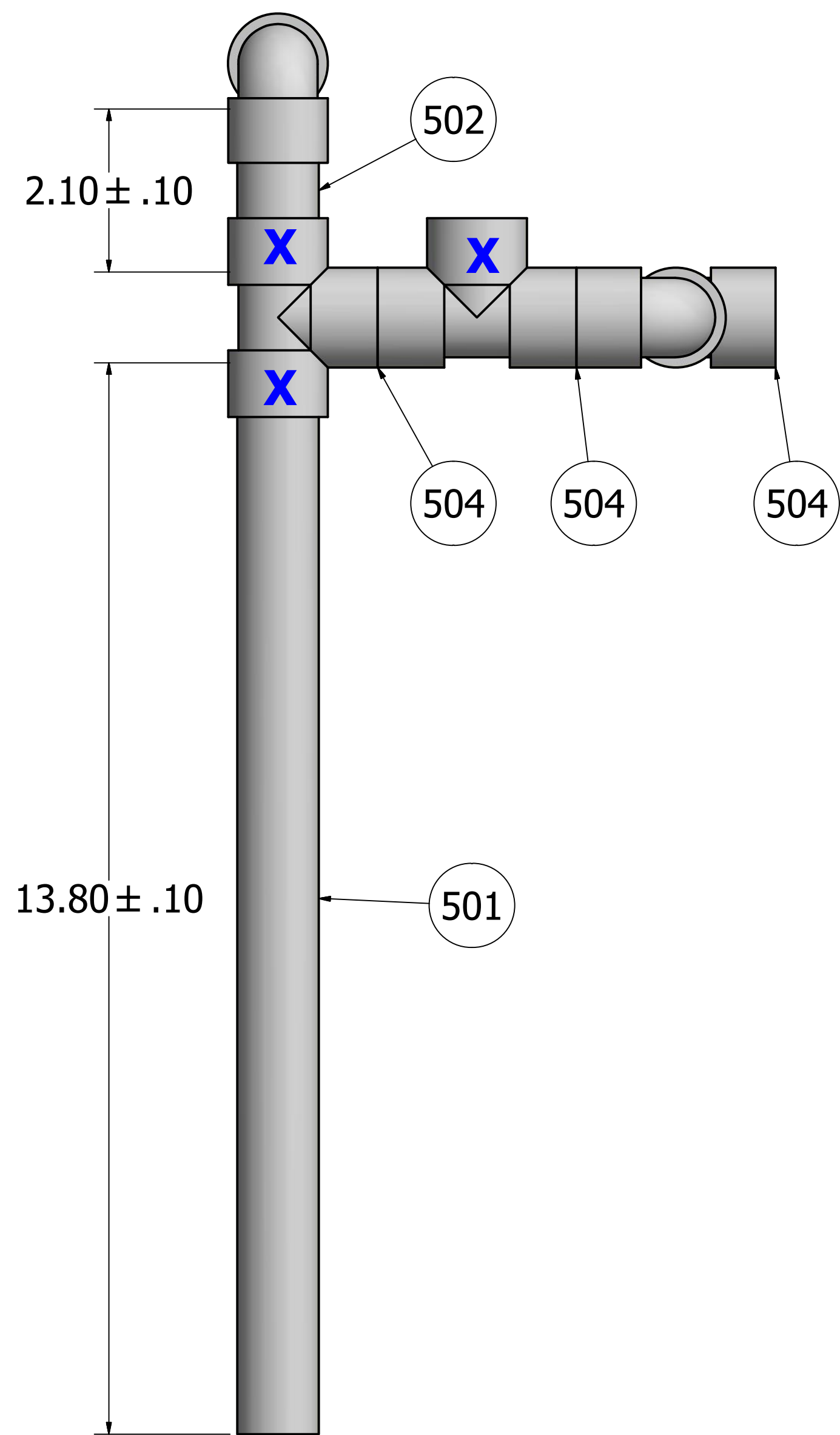
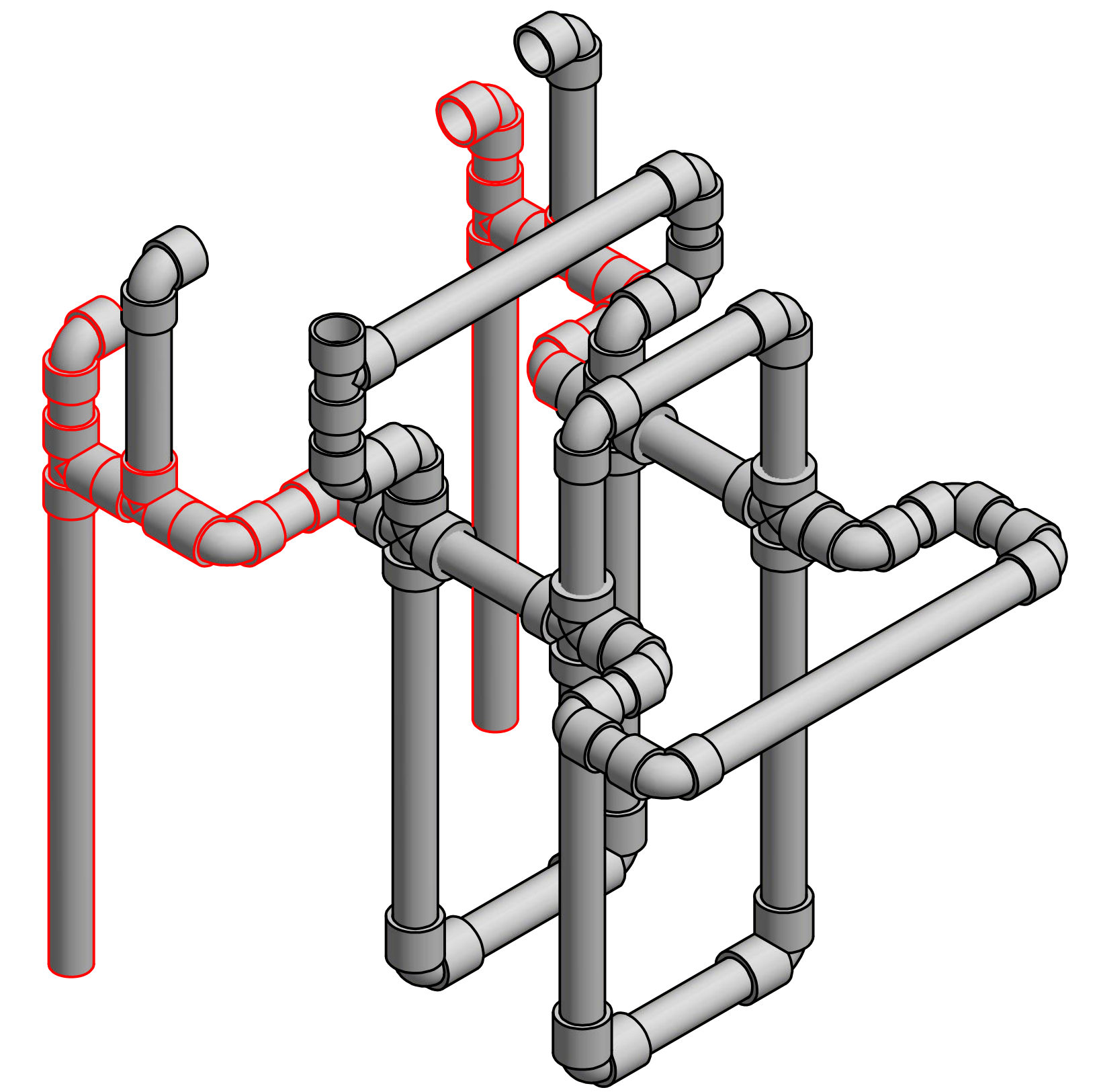
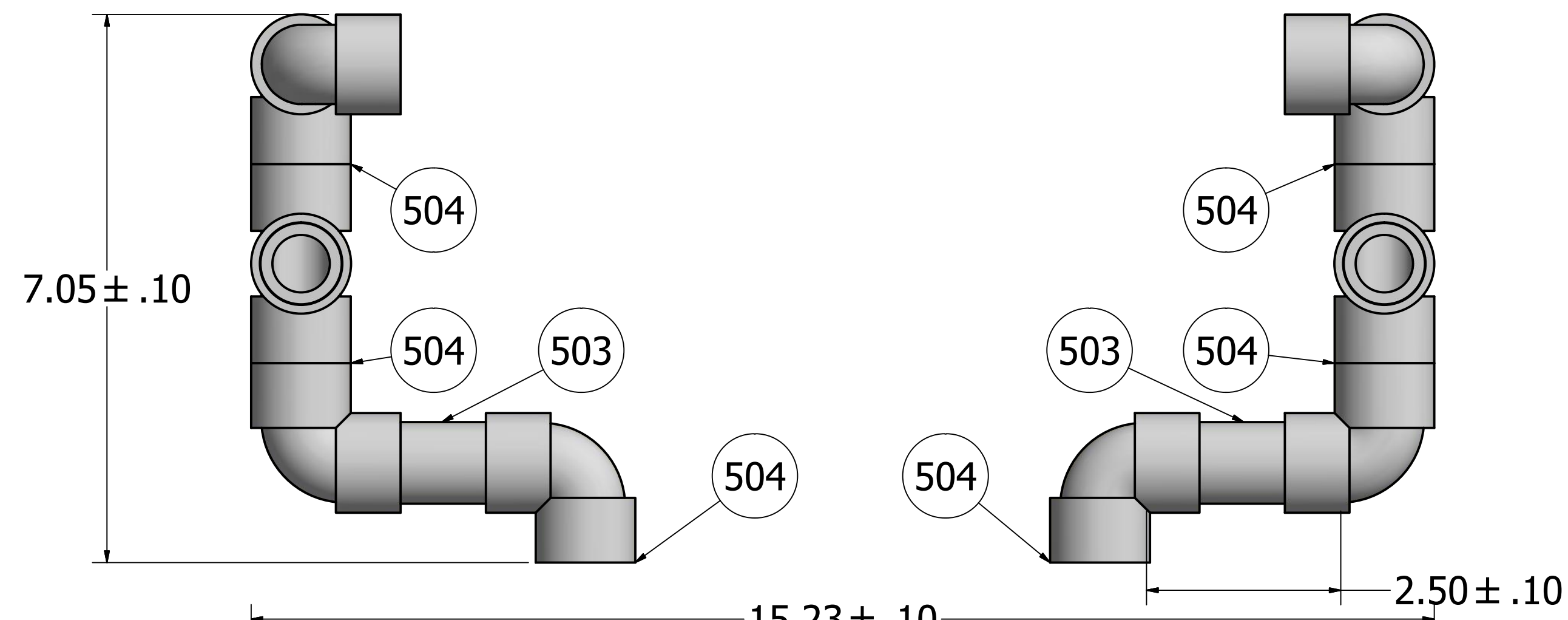
Grooved Roller Assembly (400)			
Item	Size	Length (in)	Qty
401	3/4"	5.4	2



DRAWN Evan McDonald	1/16/2020	Rewind Filters		
CHECKED Donald Price	1/15/2020	TITLE		
QA		PVC Frame MFG DWG		
MFG Miles Pappas		SIZE D	DWG NO 100-500	REV 01
APPROVED Sal Coluccio	12/4/2019	SCALE 1 / 3	SHEET 5 OF 6	



Exit Assembly (500)			
Item	Size	Length (in)	Qty
501	3/4"	13.8	2
502	3/4"	2.1	2
503	3/4"	2.5	2
504	3/4"	1.44	6



DRAWN Evan McDonald	1/16/2020	Rewind Filters		
CHECKED Donald Price	1/15/2020	TITLE		
QA		PVC Frame MFG DWG		
MFG Miles Pappas		SIZE D	DWG NO 100-500	REV 01
APPROVED Sal Coluccio	12/4/2019	SCALE 2/3	SHEET 6 OF 6	