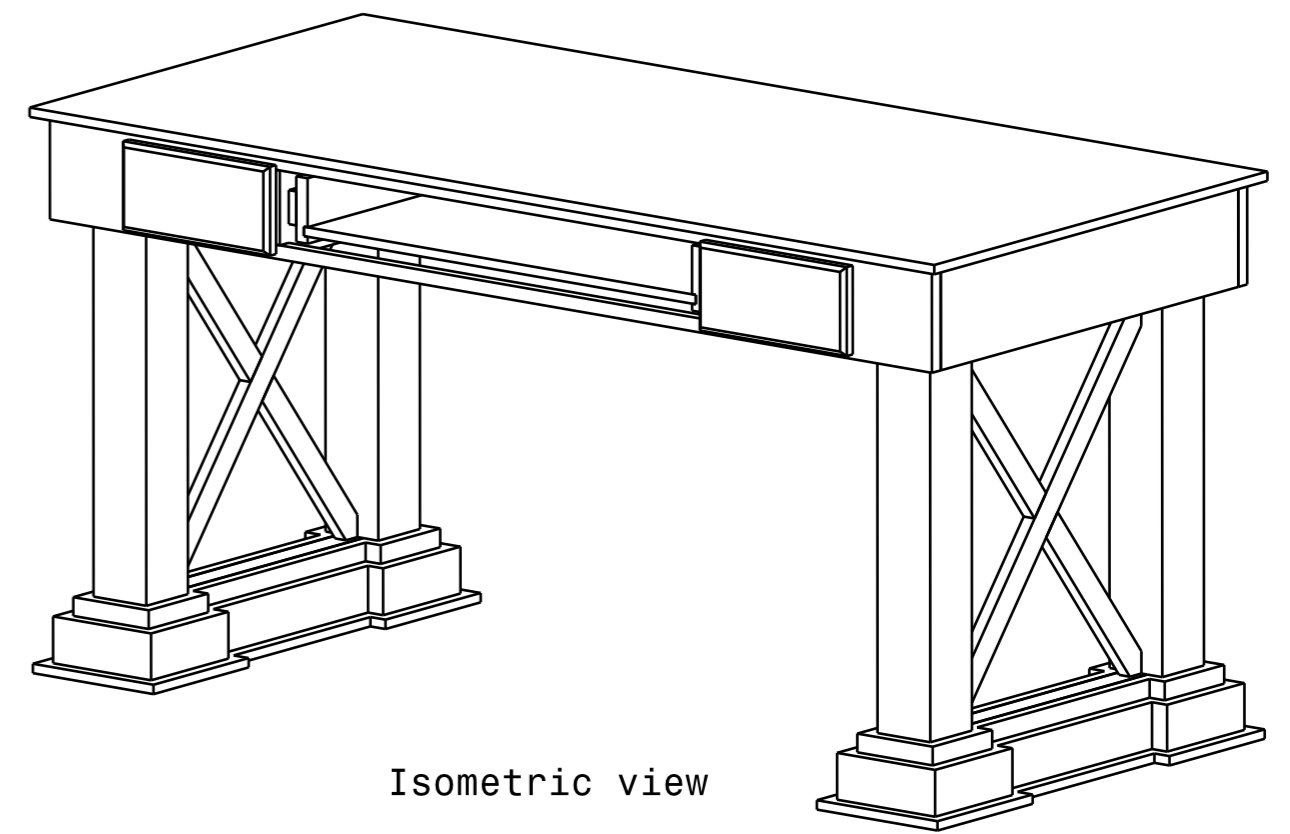
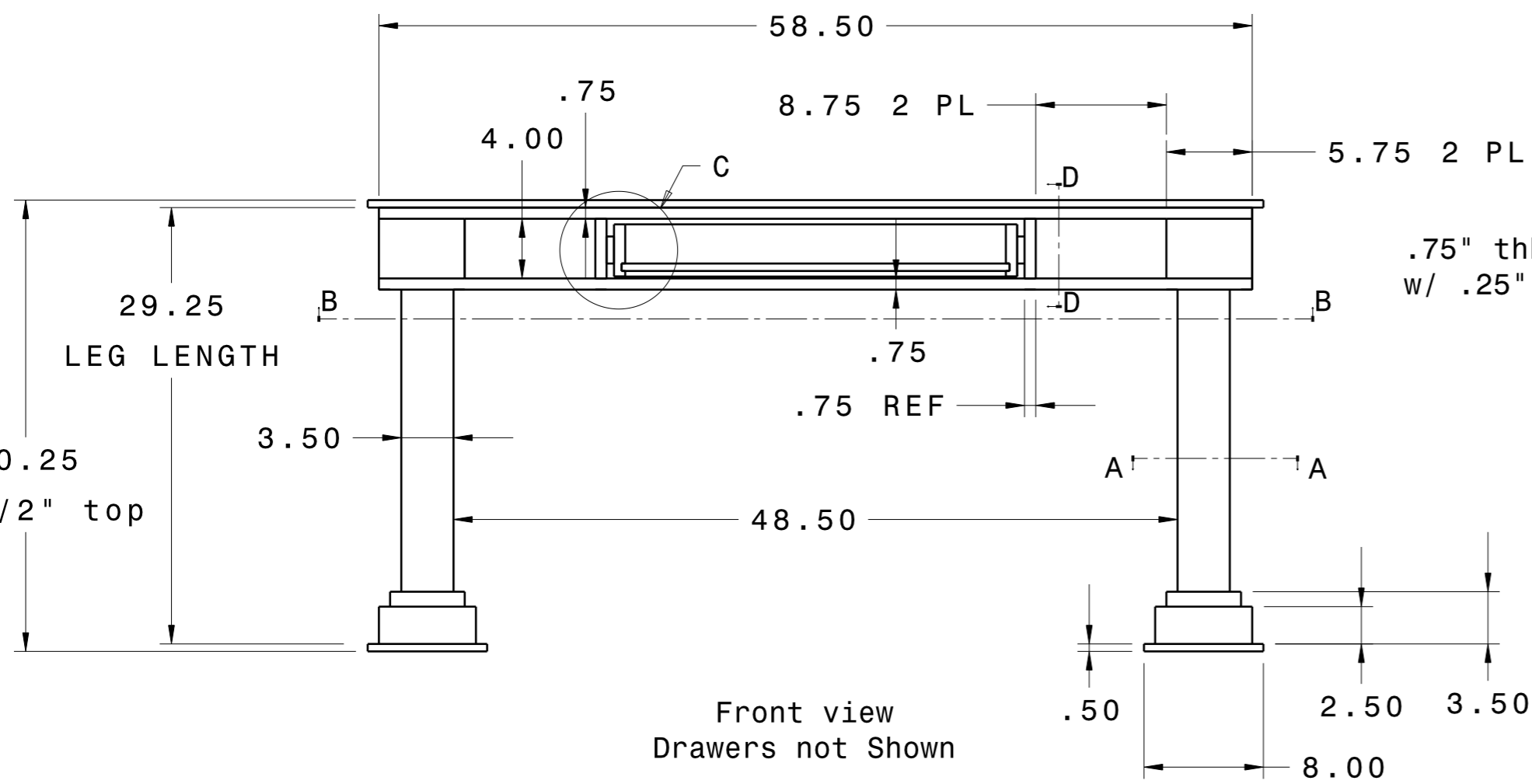


Top view

Top can be 1/2" - 3/4" thk

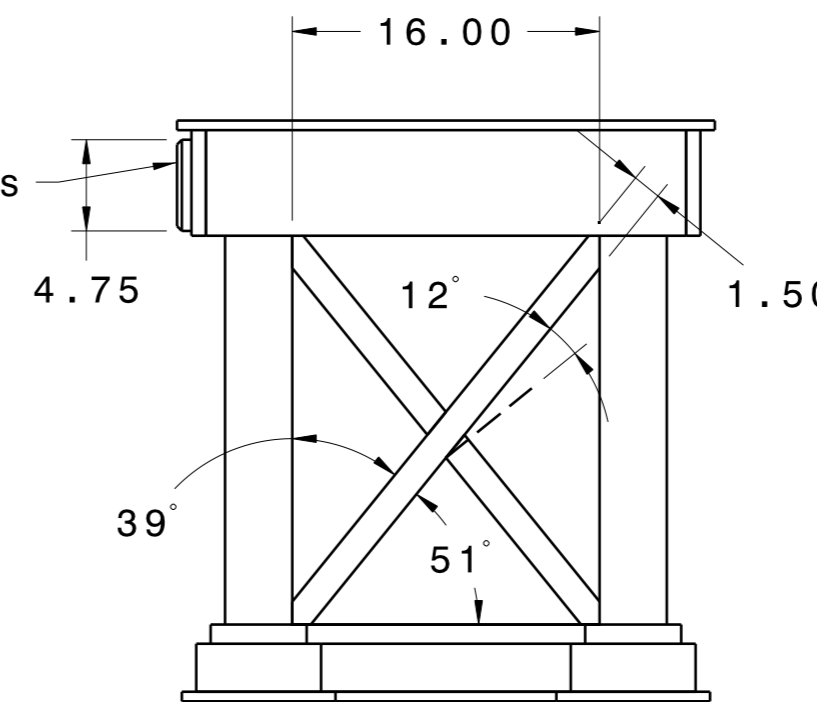


Isometric view

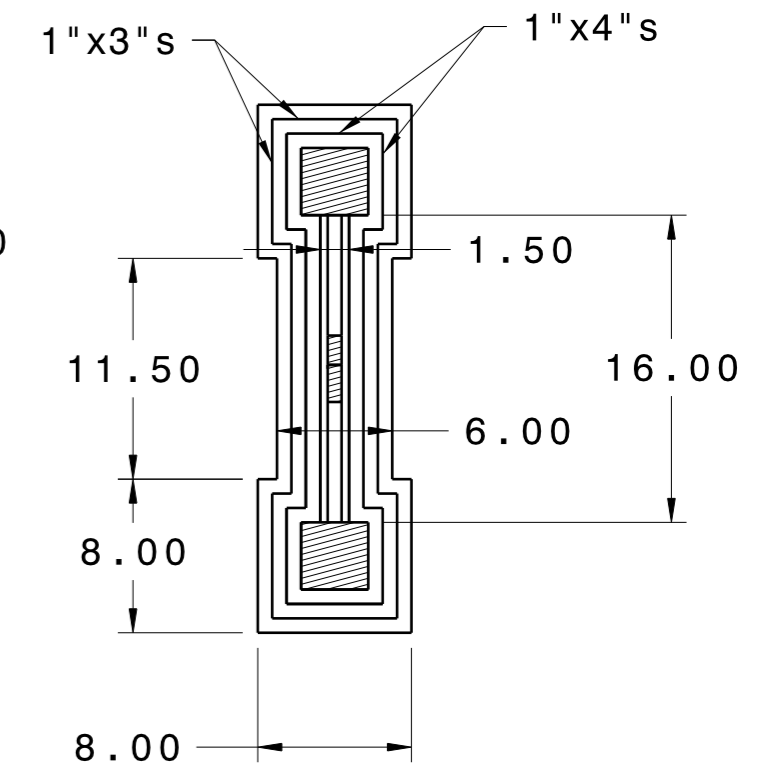


Front view  
Drawers not Shown

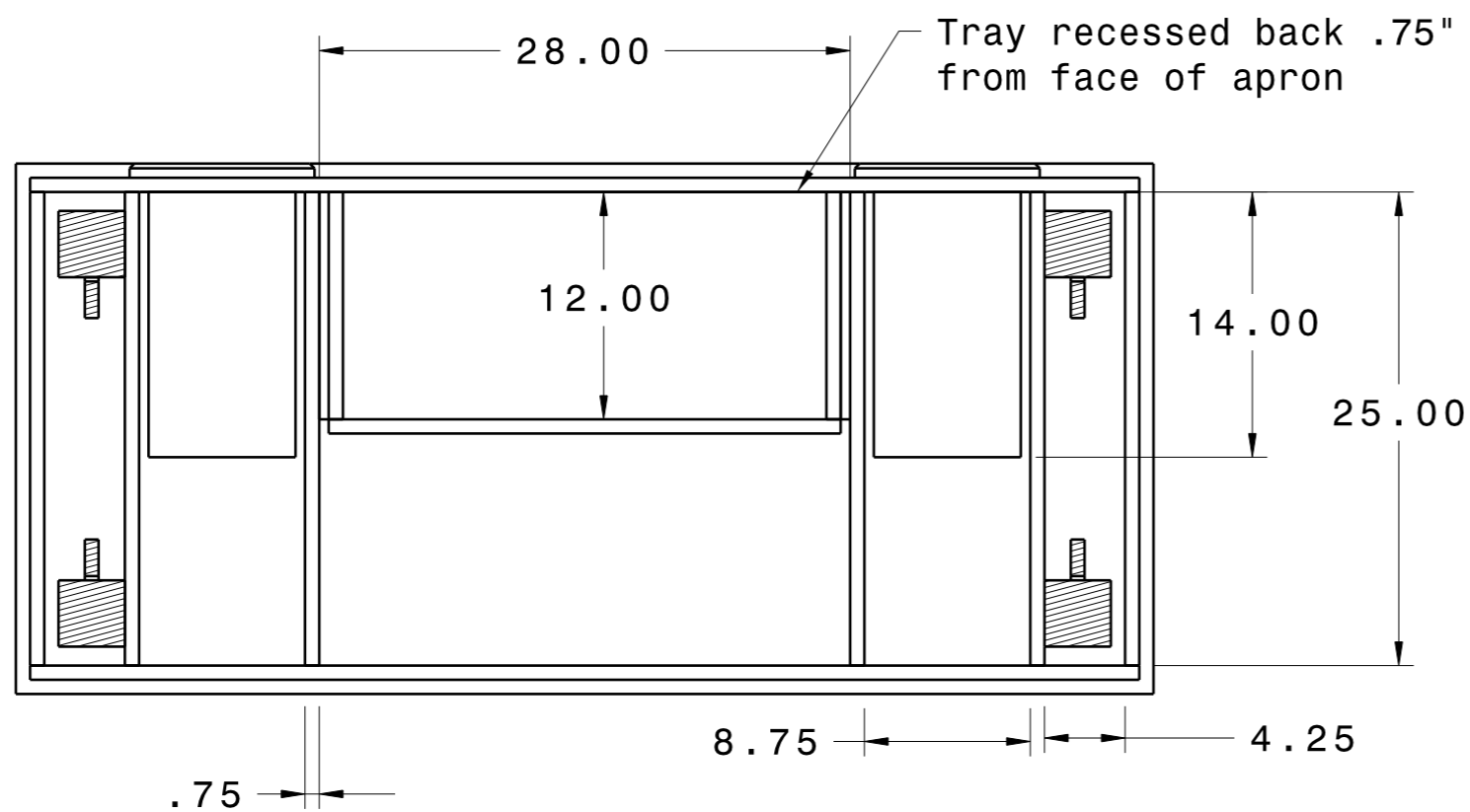
.75" thk drawer fronts  
w/ .25" x 45° bevels



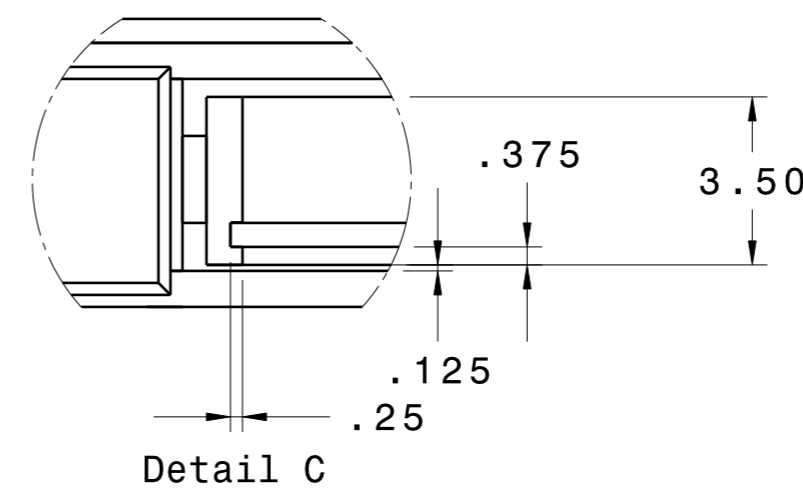
Right view



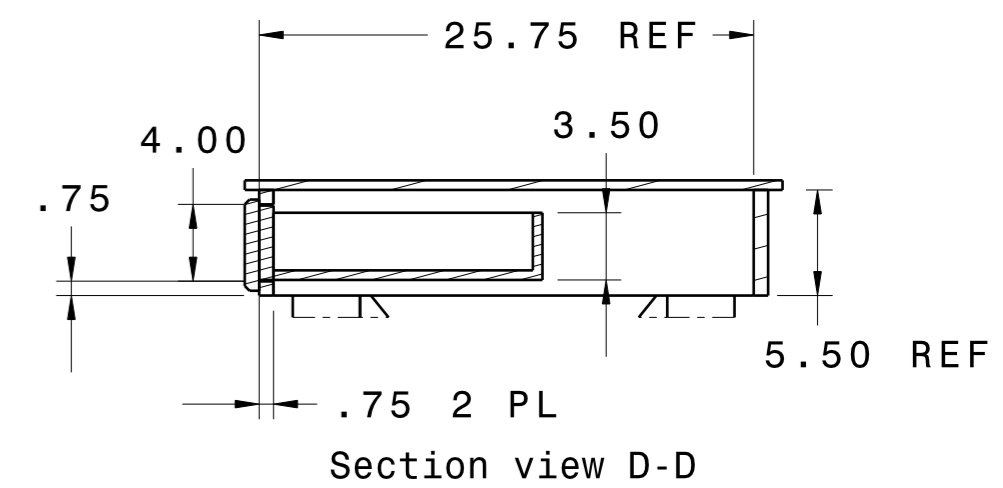
Section view A-A



Section view B-B



Detail C



Section view D-D

# OFFICE DESK