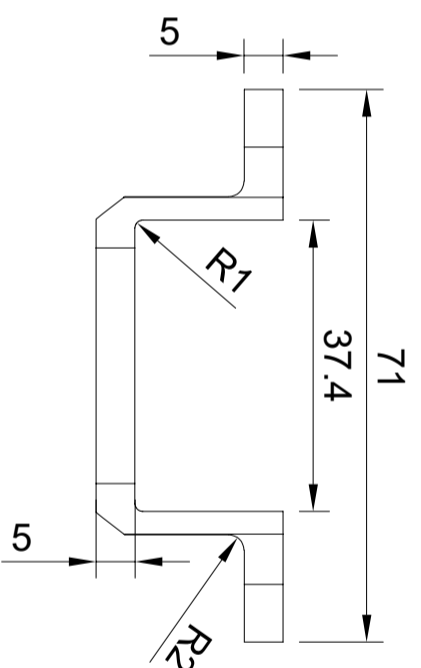
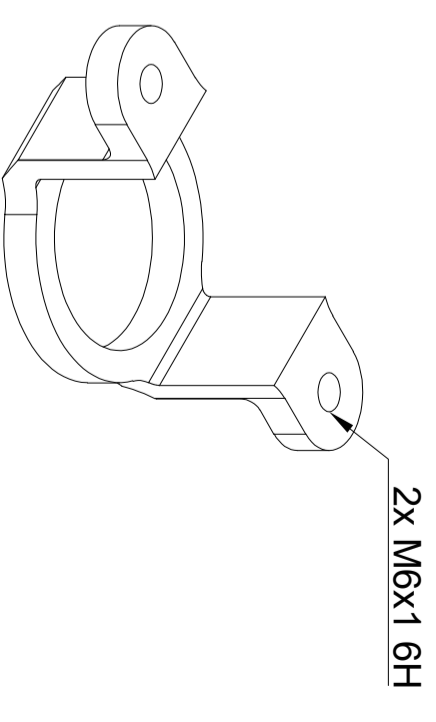


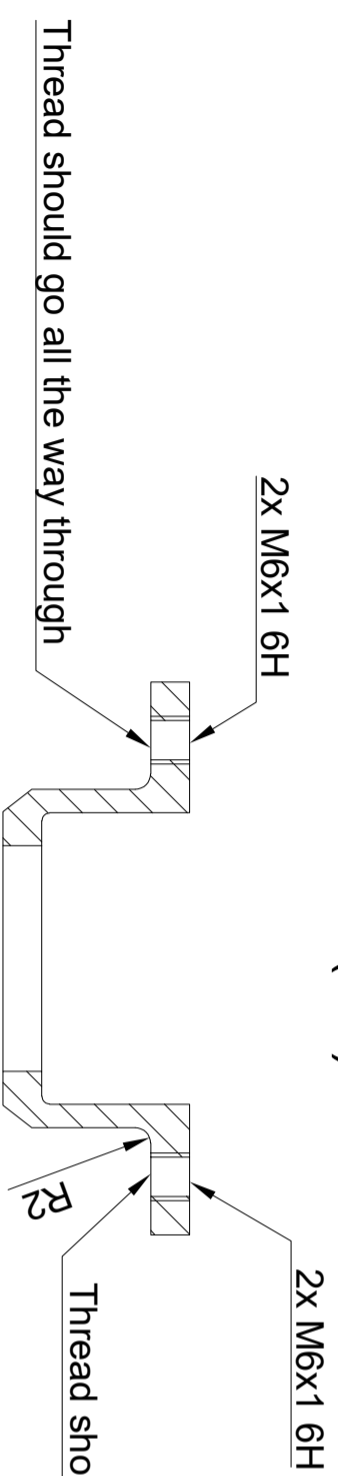
Top View



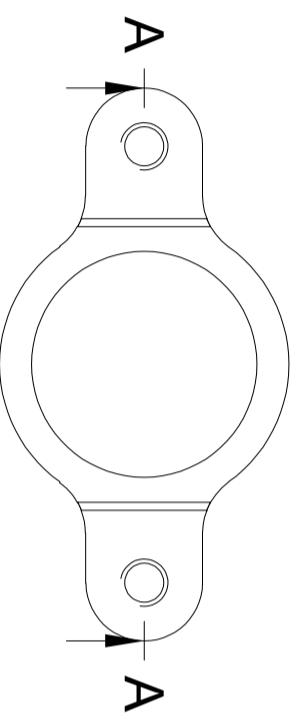
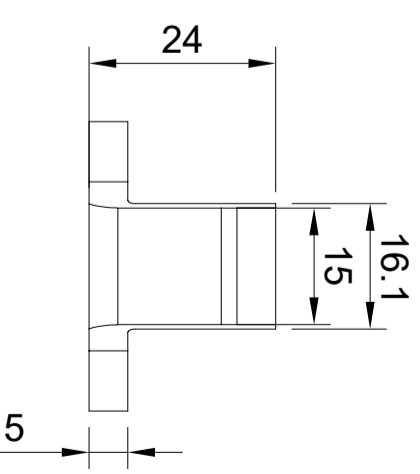
Front View




Front $\frac{1}{2}$ Section View
A-A (1:1)



Side View



- NOTES:
1. ALL UNITS IN MM
 2. FOR THE TWO THREADED HOLES, THREADS SHOULD GO ALL THE WAY THROUGH.

Dept. MTB	Technical reference	Created by Abe Katz	Approved by
		Document type 3/28/2023	Document status FINAL
Title TOP PLATE		DWG No.	
		2 of 2	
Rev.	Date of issue	Sheet	
		1/1	