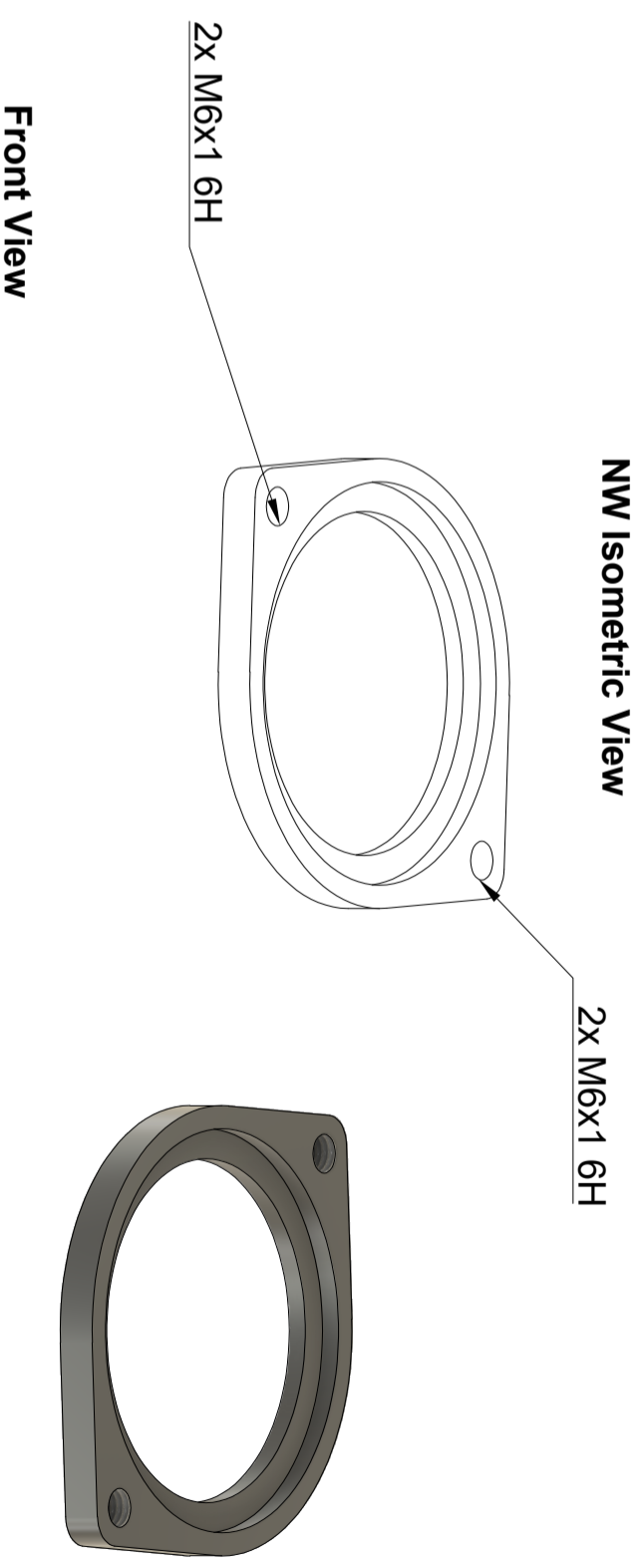
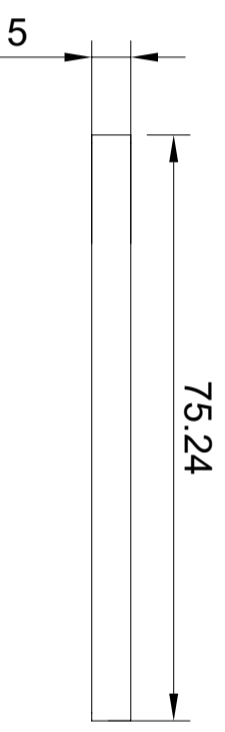


Top View

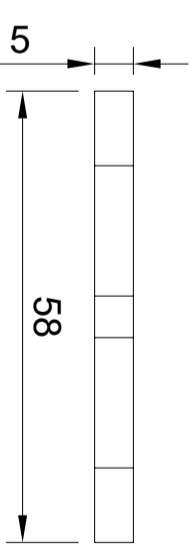


NW Isometric View

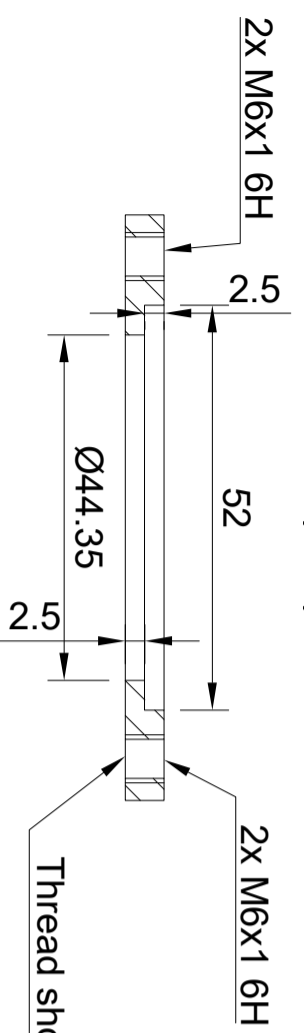
Front View



Side View

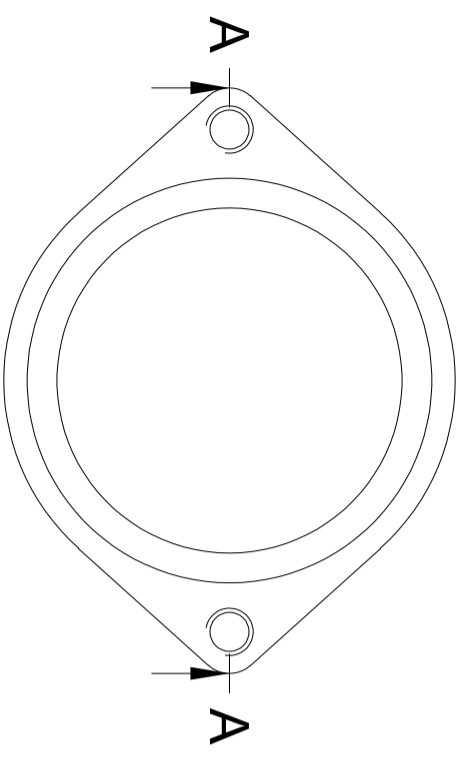


Front 1/2 Section View

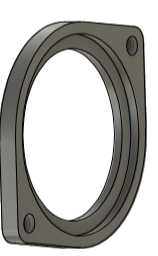


A-A (1:1)

- NOTES:
1. ALL UNITS IN MM
 2. FOR THE TWO THREADED HOLES, THREADS SHOULD GO ALL THE WAY THROUGH.



Dept.	Technical reference	Created by	Approved by	Rev.	Date of issue	Sheet
		Abe Katz				1/1
		Document type	Document status			
			FINAL			
		Title	DWG No.			
		LOWER PLATE			1 or 2	



1 or 2