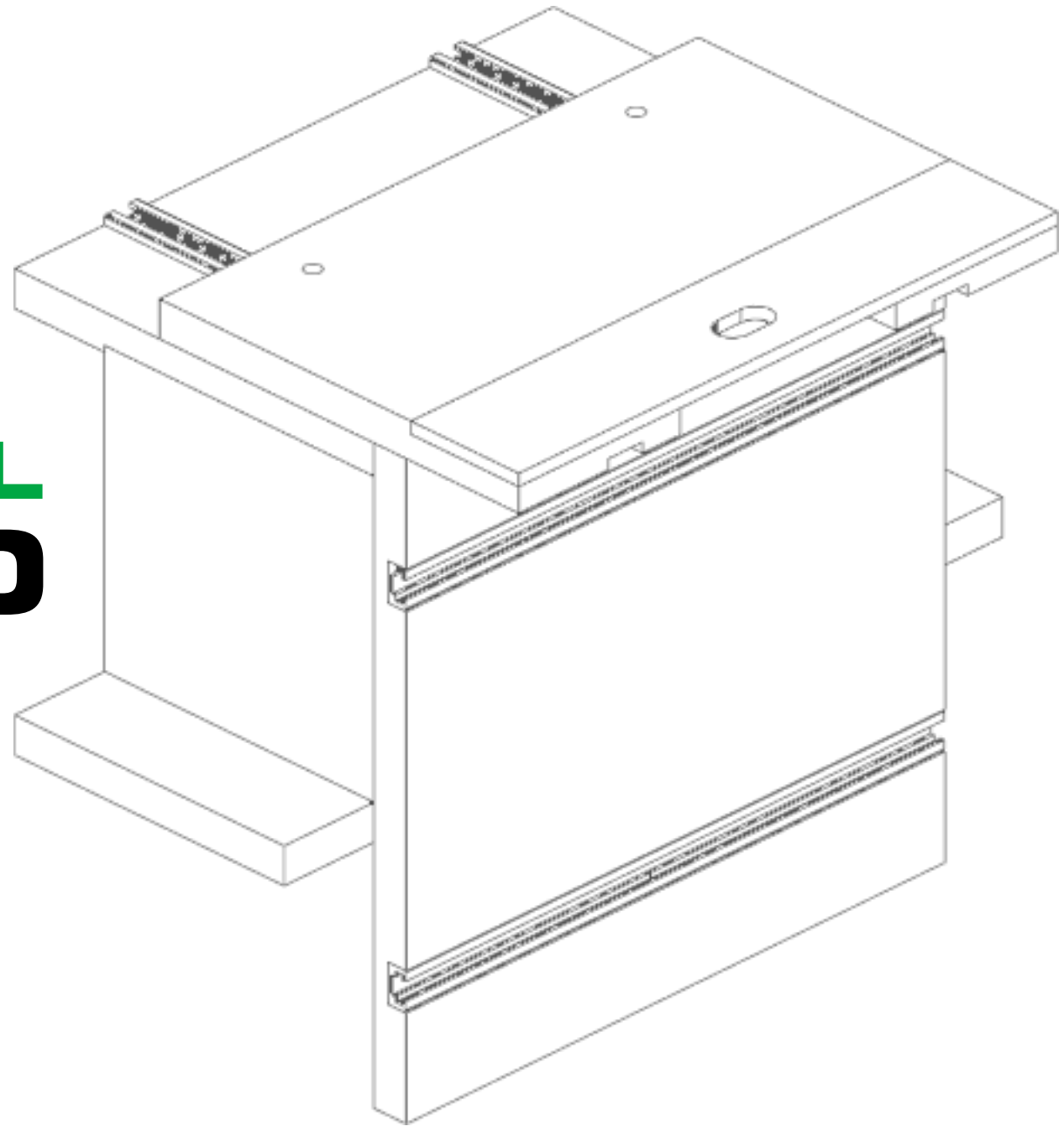
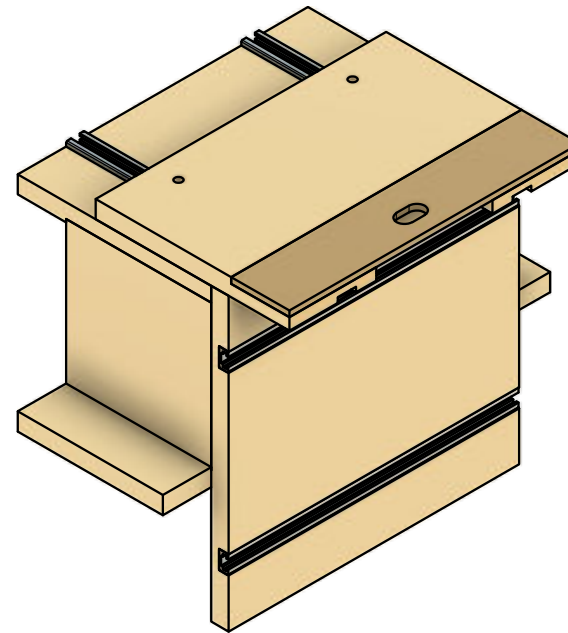
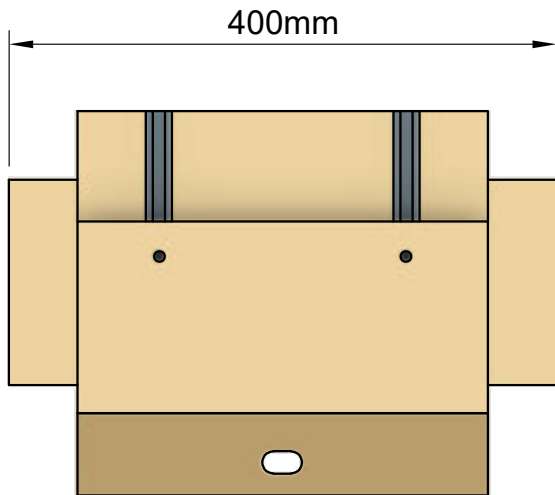
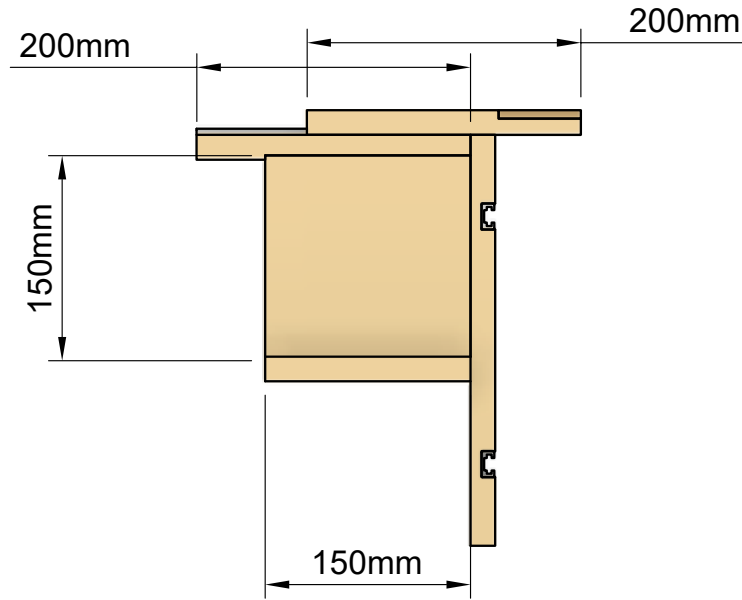
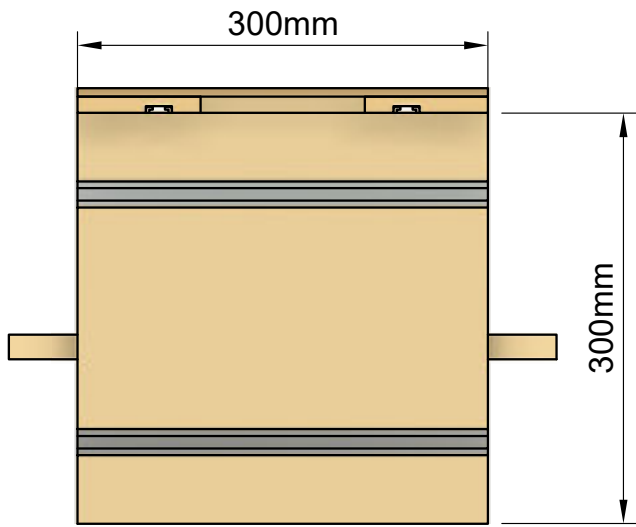




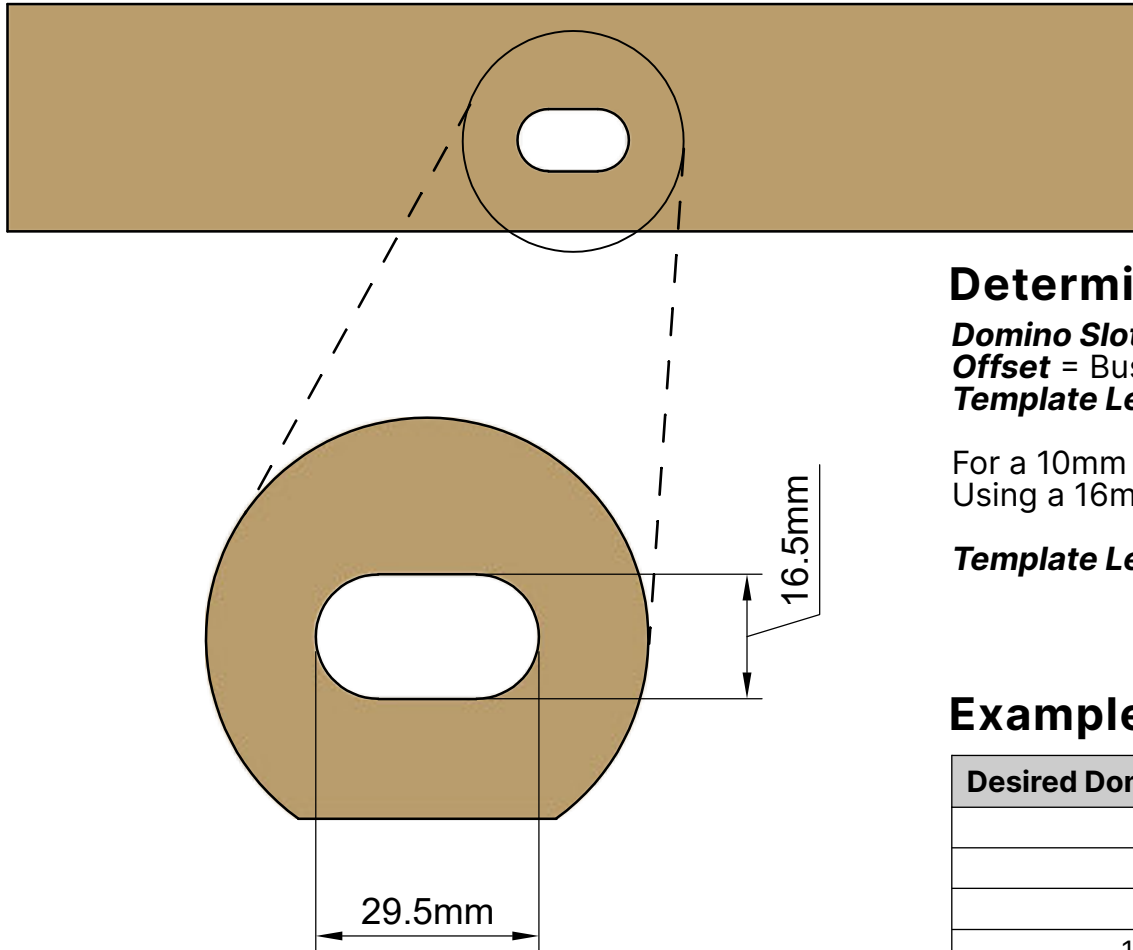
PAULSATOOL NOPEINO



Overview



Template For 10mm Domino



Determining Template Sizes

Domino Slot Length = 13mm + Thickness

Offset = Bushing OD - Bit OD

Template Length = **Offset** + **Domino Slot Length**

For a 10mm Domino, the **Domino Slot Length** would be 23mm.
Using a 16mm Guide Bushing and 9.5mm (3/8") bit, the **Offset** is 6.5mm.

Template Length needs to be $23+6.5=29.5$ mm

Example Template Sizes

Desired Domino	Guide Bushing (OD)	Bit	Template Length
5 mm	6.35 mm (1/4")	3.175 (1/8")	21.17 mm
6 mm	6.35 mm (1/4")	3.175 (1/8")	22.17 mm
8 mm	9.5 mm (3/8")	6.35 (1/4")	24.15 mm
10 mm	16 mm	9.5 (3/8")	29.5 mm

Cutlist

All parts *except* the templates can be cut from 18/19mm (3/4") plywood

Part	Width	Length	Qty
Base	200 mm	400 mm	1
Sides	150 mm	150 mm	2
Top	200 mm	300 mm	2
Vertical Fence	300 mm	300 mm	1

