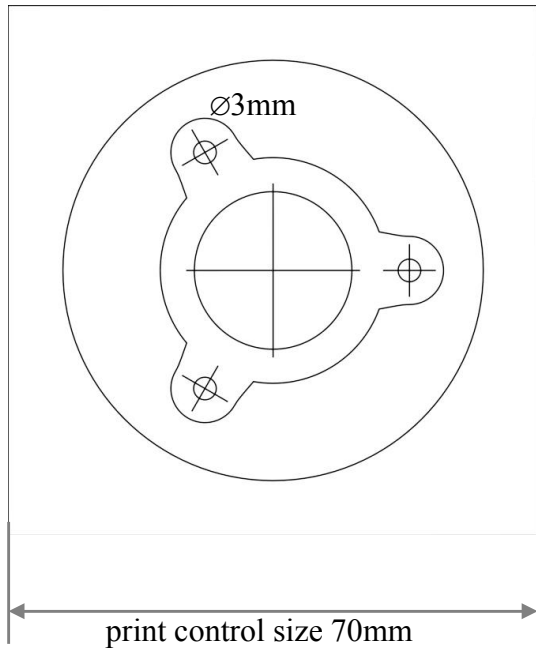


NGV Support Collar

Paper size: A4



$\varnothing$  - bore diameter