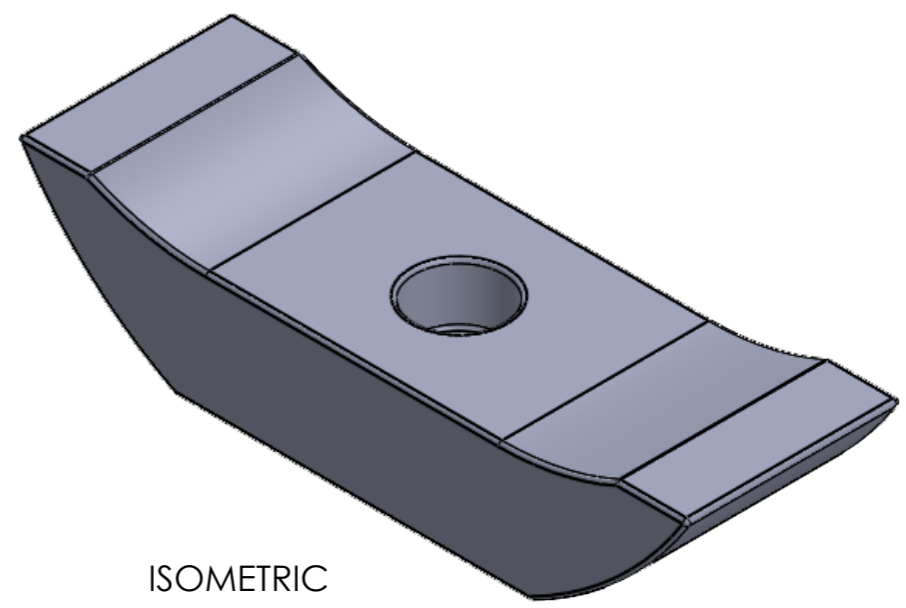


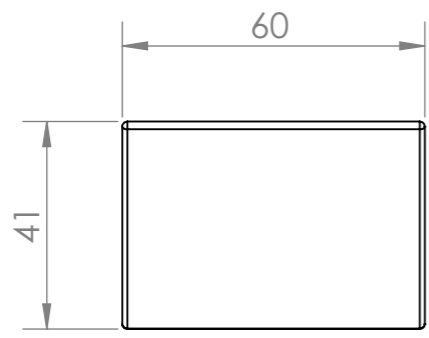
8 7 6 5 4 3 2 1

F
E
D
C
B
A

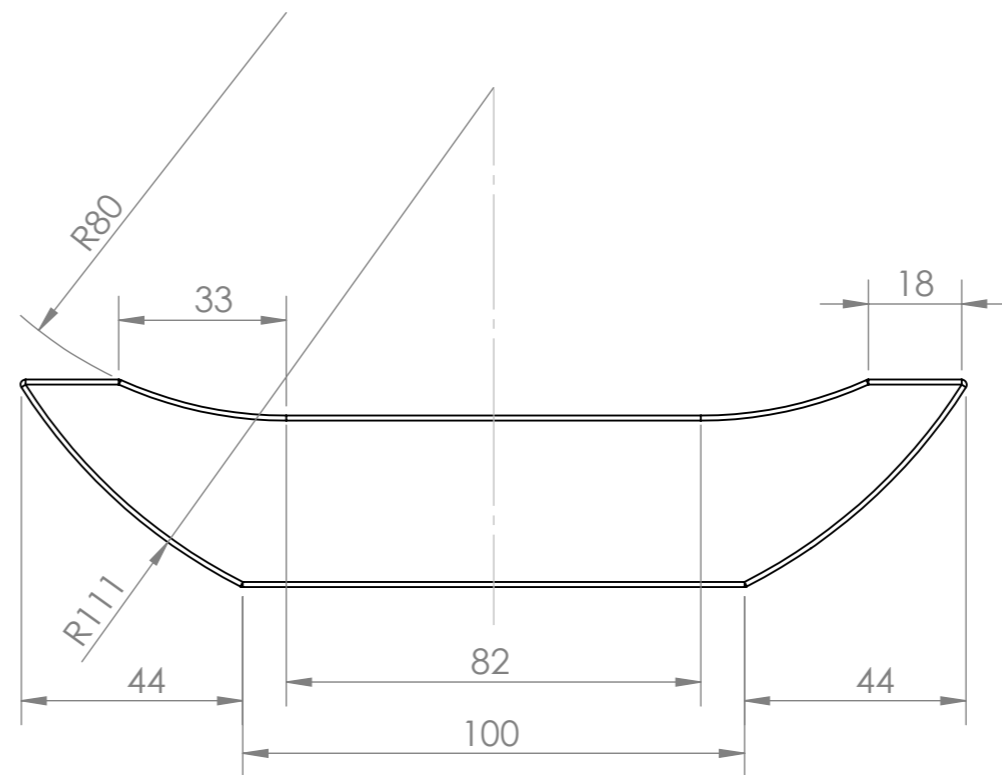
F
E
D
C
B
A



ISOMETRIC



SIDE



FRONT

UNLESS OTHERWISE SPECIFIED: DIMENSIONS ARE IN MILLIMETERS SURFACE FINISH: TOLERANCES: LINEAR: ANGULAR:			FINISH:		DEBURR AND BREAK SHARP EDGES		DO NOT SCALE DRAWING		REVISION		
DRAWN			NAME		SIGNATURE		DATE		TITLE: Mould tool 2		
CHK'D											
APPV'D											
MFG											
Q.A							MATERIAL: MDF		DWG NO. Final part 2		A3
							WEIGHT:		SCALE:1:2		SHEET 1 OF 1