

	PROJECT: Motion Alarm	TITLE: .Drawing	
	PRINT DATE: 2022-08-21	PCB NO: Motion Alarm B10	REV: 1.0
	FILE NAME: Motion Alarm B10.PcbDoc	PCB DESIGNER: SF	SCALE: 1:1

1

2

3

4

A

A

B

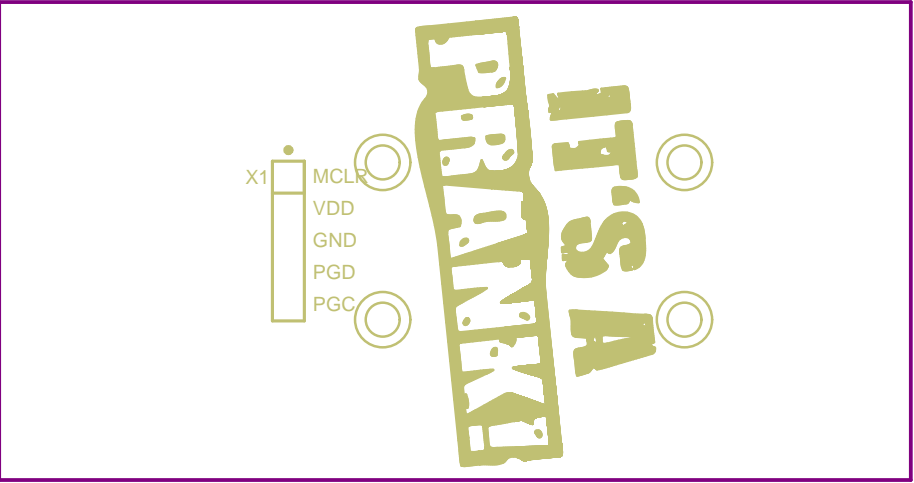
B

C

C

D

D



	PROJECT: ProjectTitle	TITLE: .Drawing	
	DATE: 2022-08-21	PCB NO: Motion Alarm B10	REV: 1.0
	FILE NAME: Motion Alarm B10.PcbDoc	PCB DESIGNER: SF	SCALE: 1:1

1

2

3

4

1

2

3

4

A

A

B

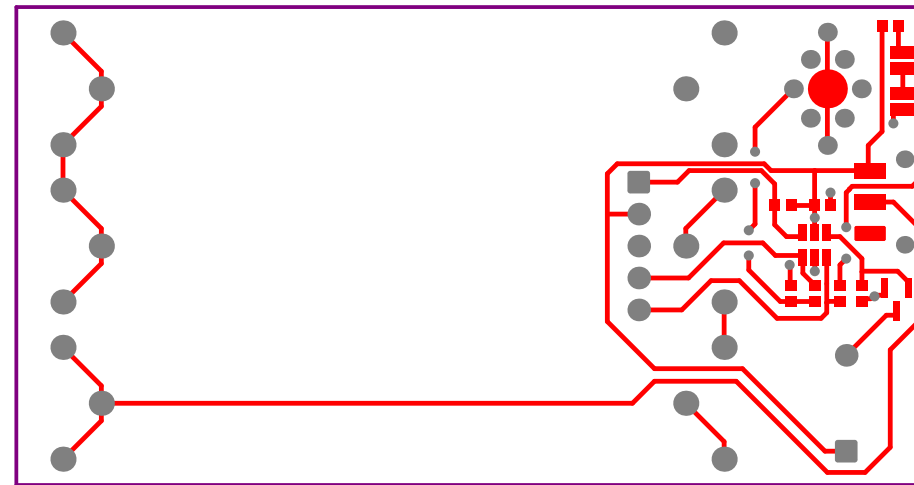
B

C

C

D

D



	PROJECT: Motion Alarm	TITLE: .Drawing	
	PRINT DATE: 2022-08-21	PCB NO: Motion Alarm B10	REV: 1.0
	FILE NAME: Motion Alarm B10.PcbDoc	PCB DESIGNER: SF	SCALE: 1:1

1

2

3

4

1

2

3

4

A

A

B

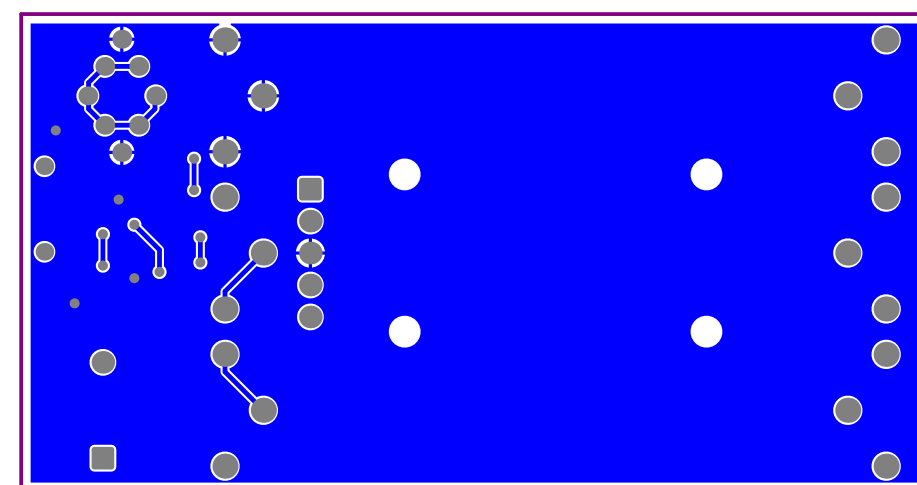
B

C

C

D

D



	PROJECT: ProjectTitle	TITLE: .Drawing	
	DATE: 2022-08-21	PCB NO: Motion Alarm B10	REV: 1.0
	FILE NAME: Motion Alarm B10.PcbDoc	PCB DESIGNER: SF	SCALE: 1:1

1

2

3

4

1

2

3

4

A

A

B

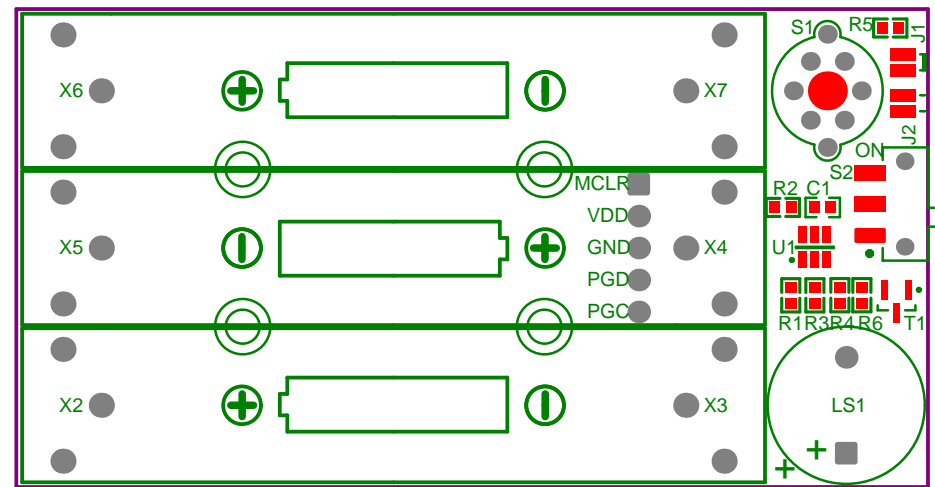
B

C

C

D

D



	PROJECT: Motion Alarm	TITLE: .Drawing	
	PRINT DATE: 2022-08-21	PCB NO: Motion Alarm B10	REV: 1.0
	FILE NAME: Motion Alarm B10.PcbDoc	PCB DESIGNER: SF	SCALE: 1:1

1

2

3

4

1

2

3

4

A

A

B

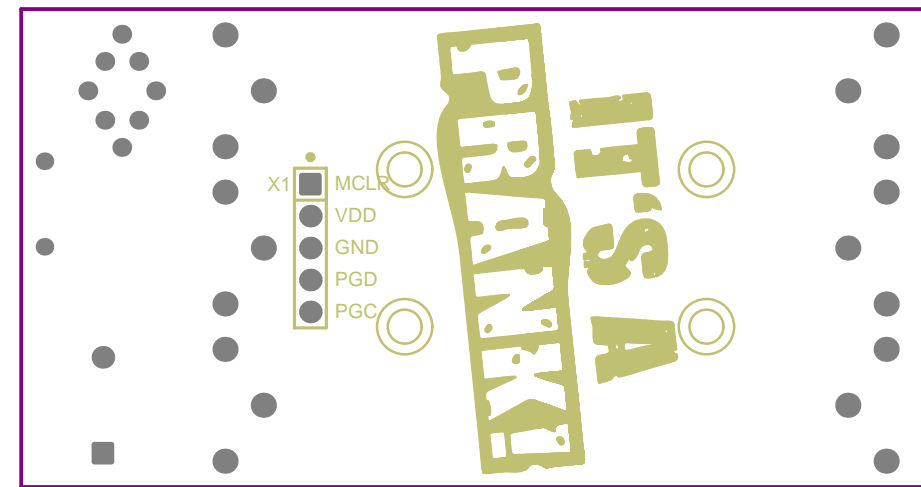
B

C

C

D

D



	PROJECT: ProjectTitle	TITLE: Drawing	
	DATE: 2022-08-21	PCB NO: Motion Alarm B10	REV: 1.0
	FILE NAME: Motion Alarm B10.PcbDoc	PCB DESIGNER: SF	SCALE: 1:1

1

2

3

4

1

2

3

4

A

A

B

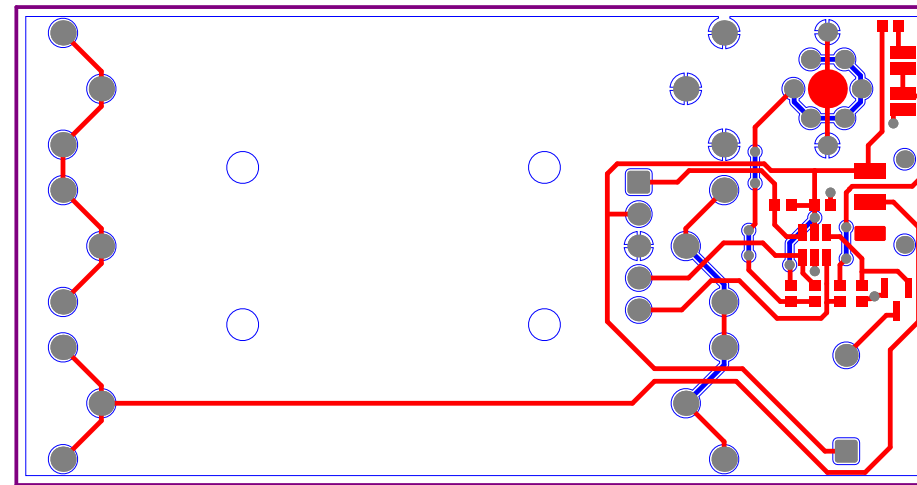
B

C

C

D

D



	PROJECT: Motion Alarm	TITLE: .Drawing	
	PRINT DATE: 2022-08-21	PCB NO: Motion Alarm B10	REV: 1.0
	FILE NAME: Motion Alarm B10.PcbDoc	PCB DESIGNER: SF	SCALE: 1:1

1

2

3

4

1

2

3

4

A

A

B

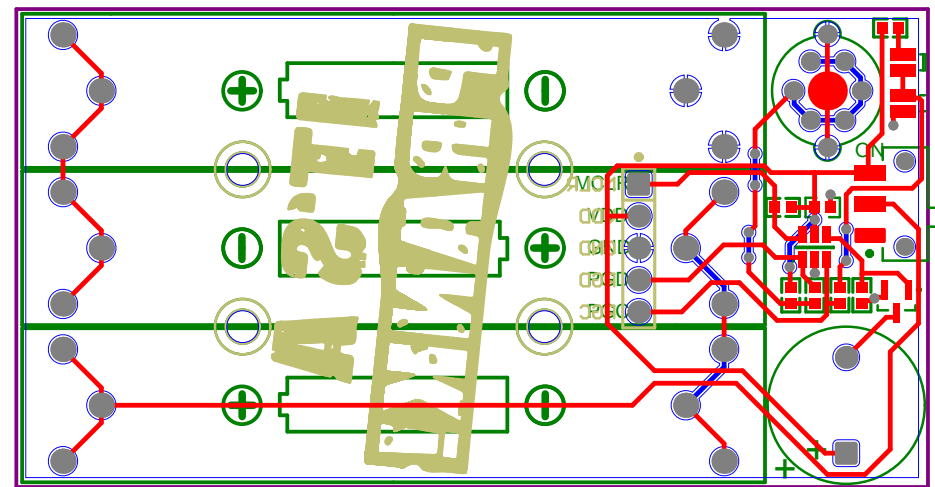
B

C

C

D

D



	PROJECT: Motion Alarm	TITLE: .Drawing	
	PRINT DATE: 2022-08-21	PCB NO: Motion Alarm B10	REV: 1.0
	FILE NAME: Motion Alarm B10.PcbDoc	PCB DESIGNER: SF	SCALE: 1:1

1

2

3

4



1

2

3

4

A

A

B

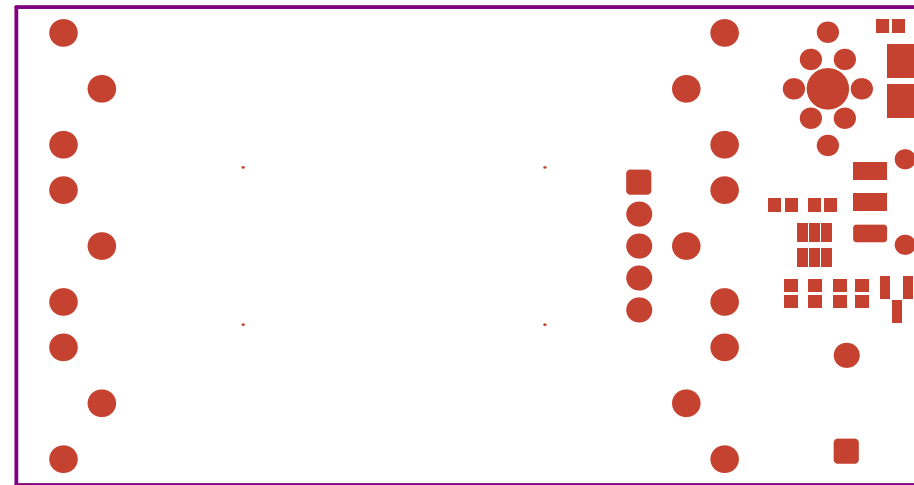
B

C

C

D

D



	PROJECT: Motion Alarm	TITLE: .Drawing	
	PRINT DATE: 2022-08-21	PCB NO: Motion Alarm B10	REV: 1.0
	FILE NAME: Motion Alarm B10.PcbDoc	PCB DESIGNER: SF	SCALE: 1:1

1

2

3

4

1

2

3

4

A

A

B

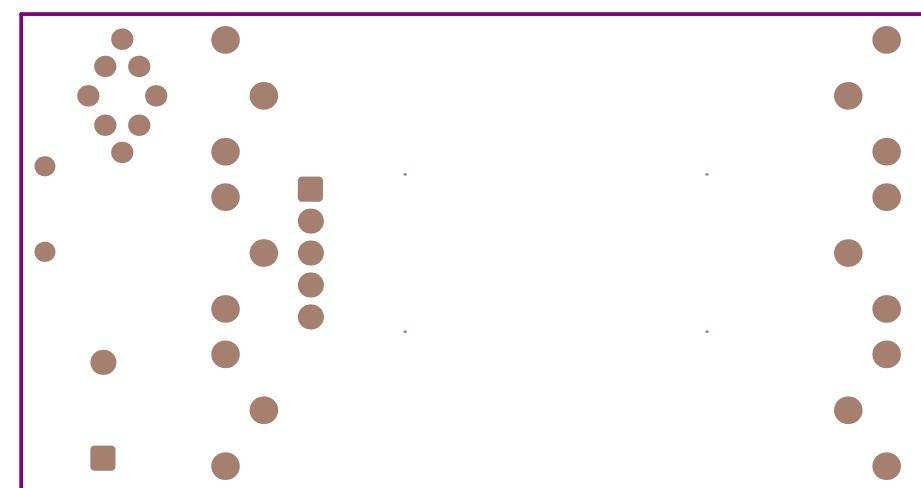
B

C

C

D

D



	PROJECT: ProjectTitle	TITLE: .Drawing	
	DATE: 2022-08-21	PCB NO: Motion Alarm B10	REV: 1.0
	FILE NAME: Motion Alarm B10.PcbDoc	PCB DESIGNER: SF	SCALE: 1:1

1

2

3

4

1

2

3

4

A

A

B

B

C

C

D

D



	PROJECT: Motion Alarm	TITLE: .Drawing	
	PRINT DATE: 2022-08-21	PCB NO: Motion Alarm B10	REV: 1.0
	FILE NAME: Motion Alarm B10.PcbDoc	PCB DESIGNER: SF	SCALE: 1:1

1

2

3

4

1

2

3

4

A

A

B

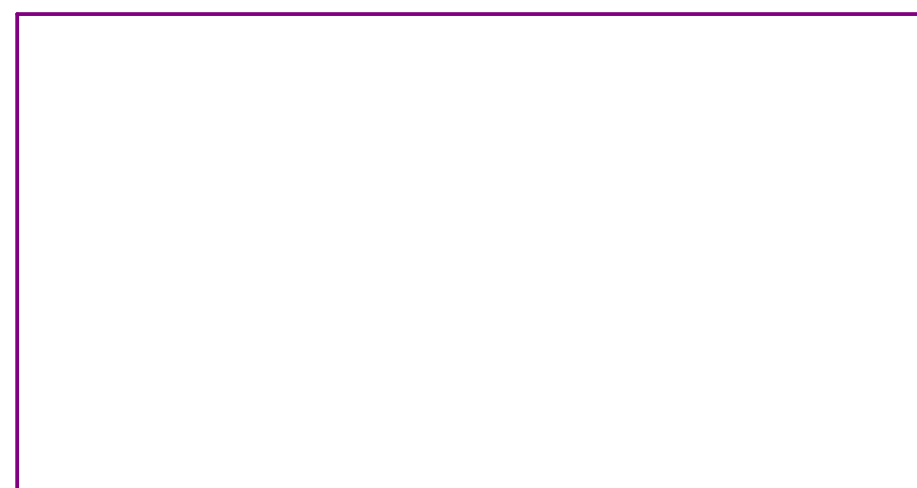
B

C

C

D

D



	PROJECT: ProjectTitle	TITLE: .Drawing	
	DATE: 2022-08-21	PCB NO: Motion Alarm B10	REV: 1.0
	FILE NAME: Motion Alarm B10.PcbDoc	PCB DESIGNER: SF	SCALE: 1:1

1

2

3

4

1

2

3

4

A

A

B

B

C

C

D

D



	PROJECT: Motion Alarm	TITLE: .Drawing	
	PRINT DATE: 2022-08-21	PCB NO: Motion Alarm B10	REV: 1.0
	FILE NAME: Motion Alarm B10.PcbDoc	PCB DESIGNER: SF	SCALE: 1:1

1

2

3

4

1

2

3

4

A

A

B

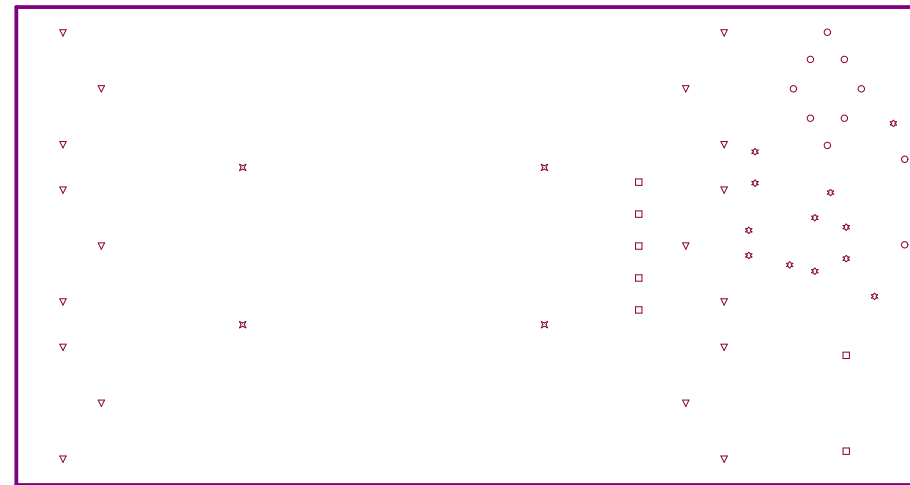
B

C

C

D

D



	PROJECT: Motion Alarm	TITLE: .Drawing	
	PRINT DATE: 2022-08-21	PCB NO: Motion Alarm B10	REV: 1.0
	FILE NAME: Motion Alarm B10.PcbDoc	PCB DESIGNER: SF	SCALE: 1:1

1

2

3

4

1

2

3

4

A

A

B

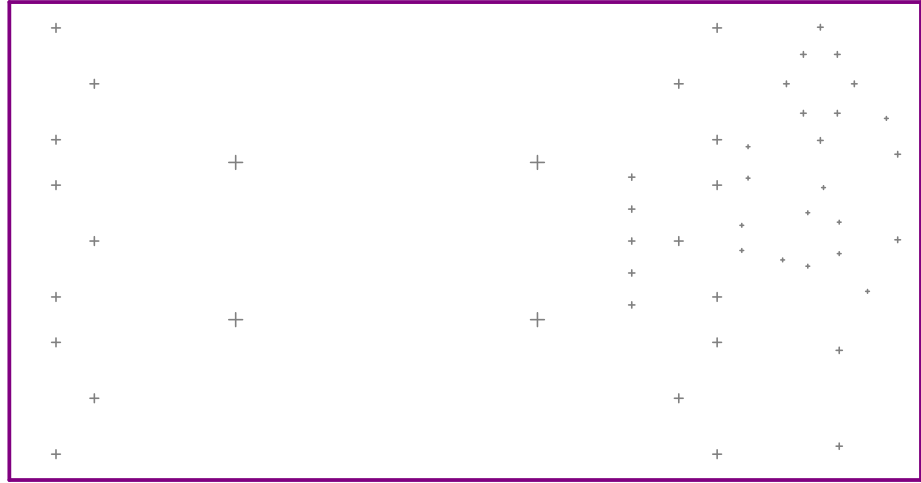
B

C

C

D

D



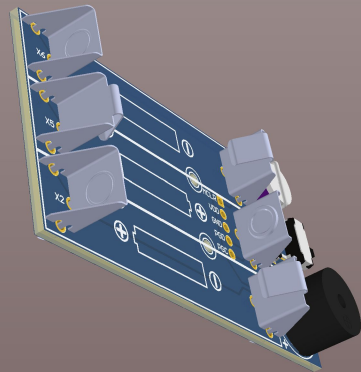
	PROJECT: Motion Alarm	TITLE: .Drawing	
	PRINT DATE: 2022-08-21	PCB NO: Motion Alarm B10	REV: 1.0
	FILE NAME: Motion Alarm B10.PcbDoc	PCB DESIGNER: SF	SCALE: 1:1

1

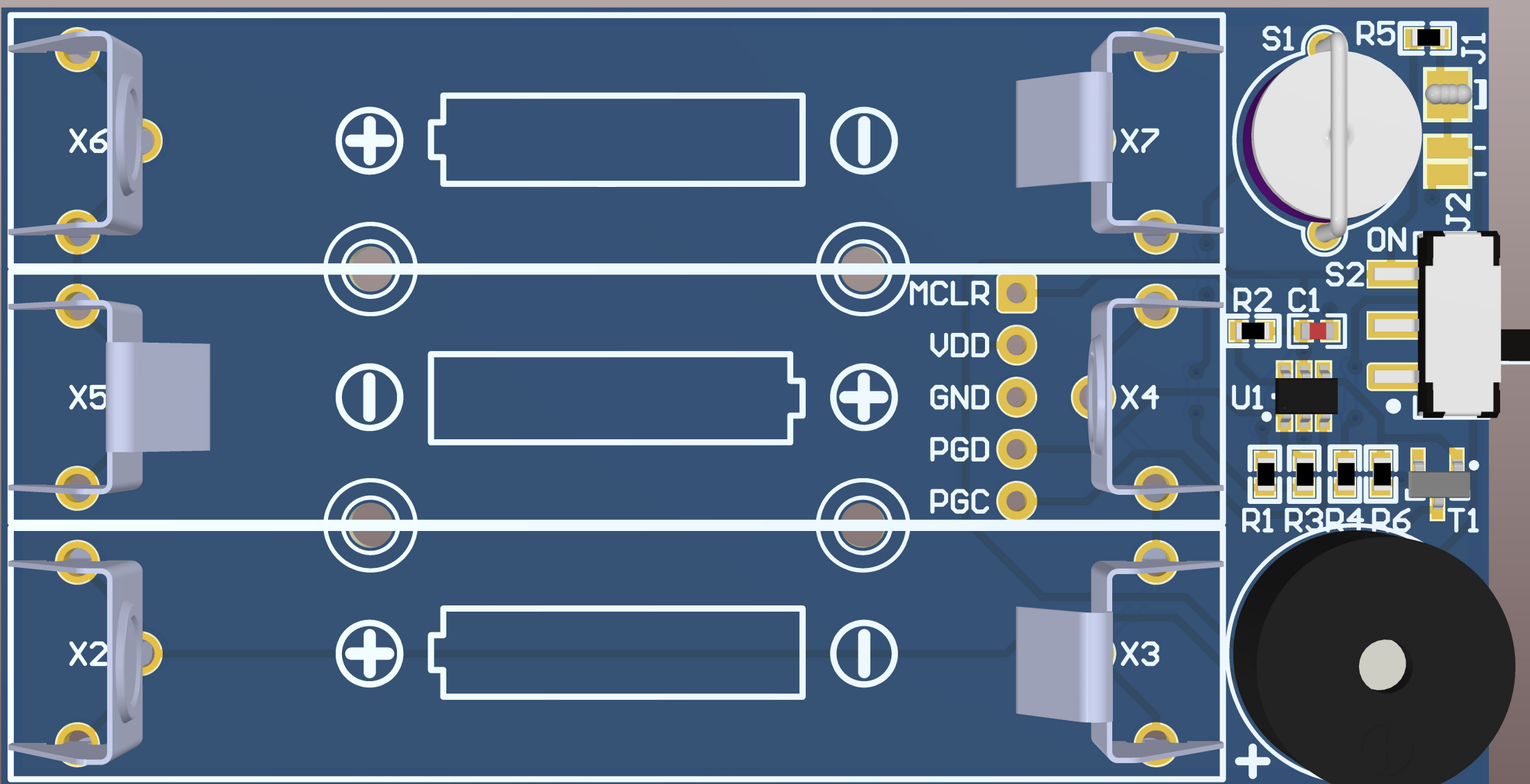
2

3

4







# IT'S A PERMEX!

