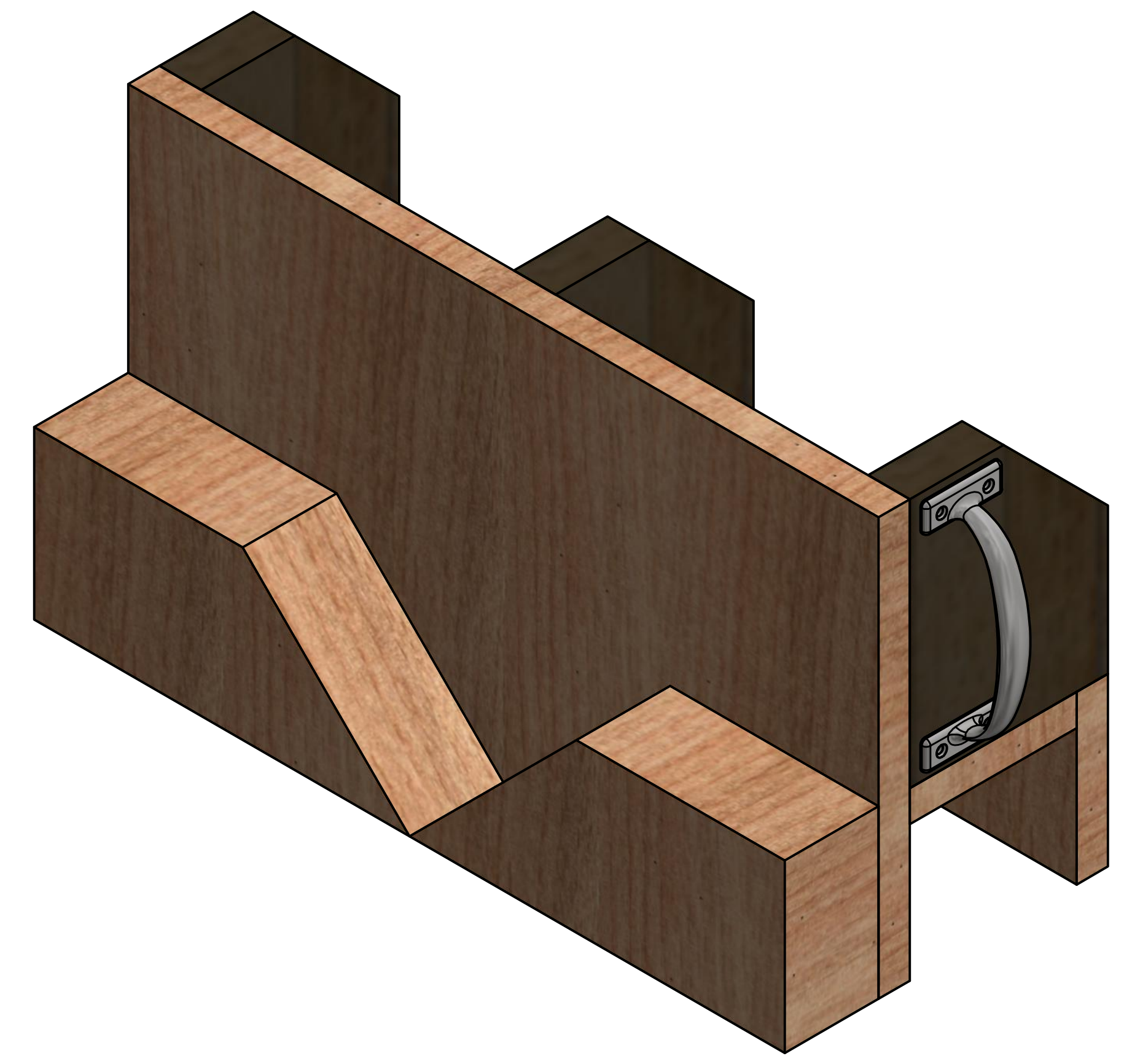


8 | 7 | 6 | 5 | 4 | 3 | 2 | 1

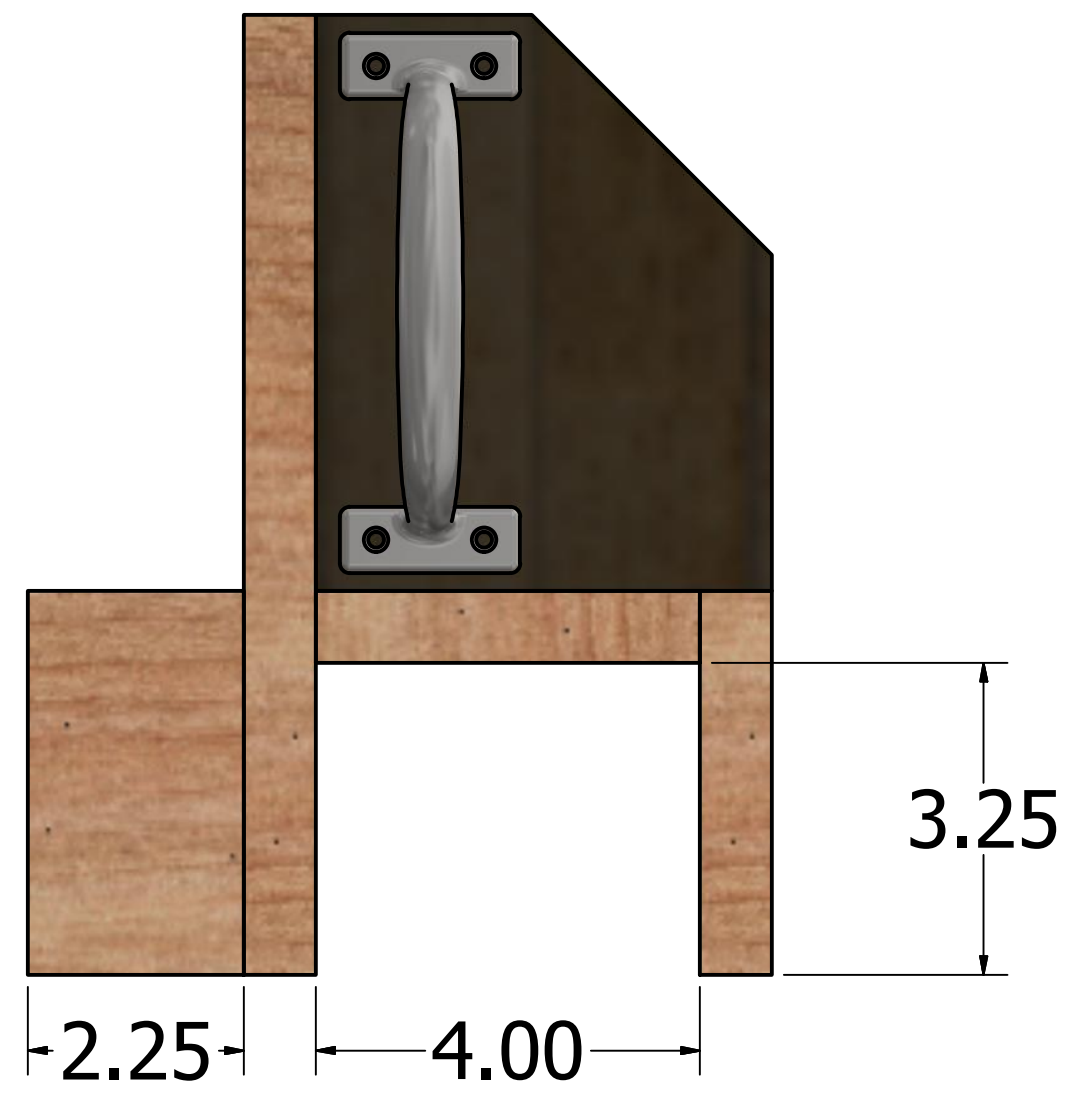
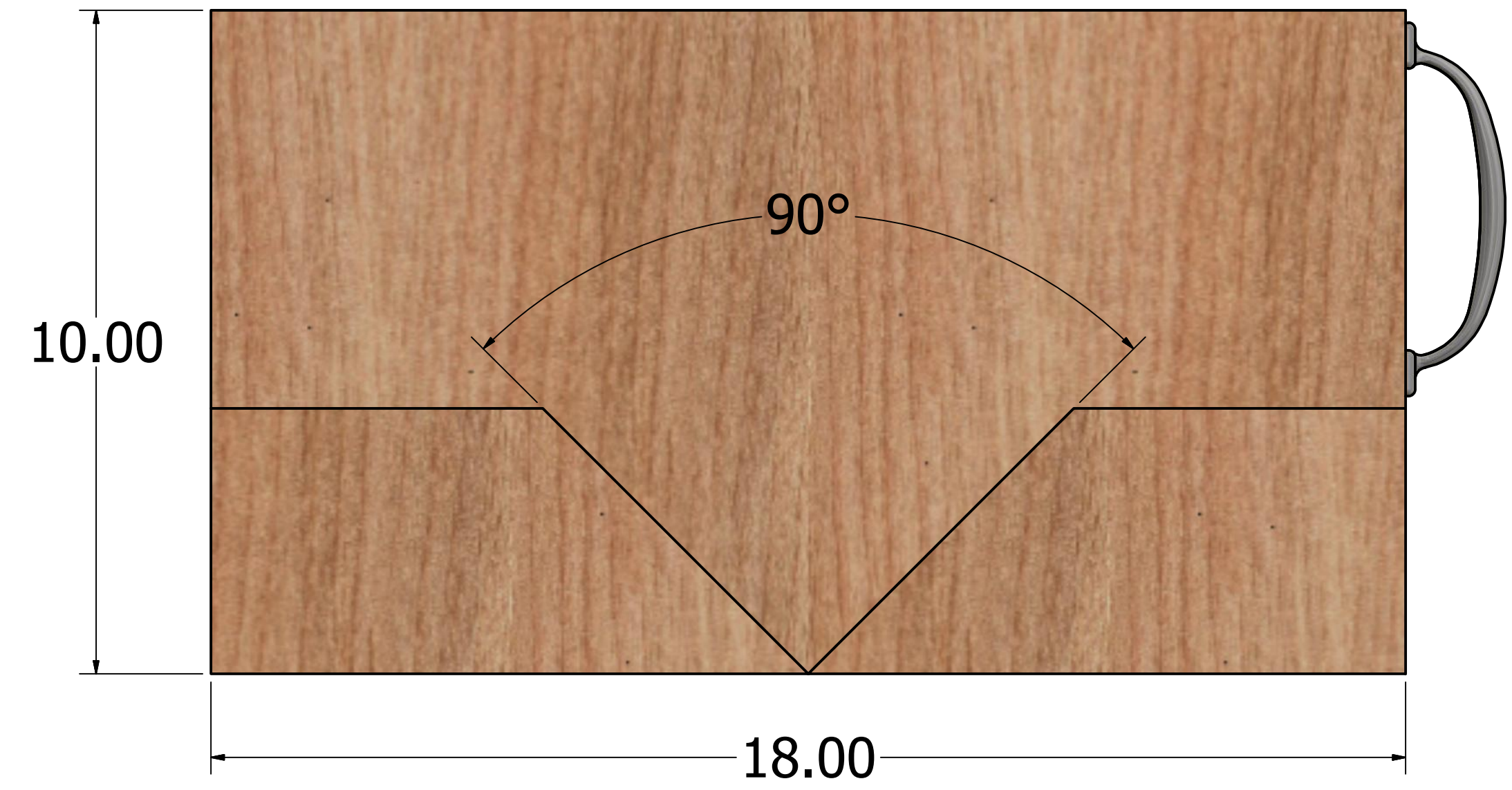
D

D



C

C



B

B

DRAWN	3/1/2019		
CHECKED		TITLE	
QA			
MFG			
APPROVED			
		SIZE	DWG NO
		D	Jig1
		SCALE	REV
		.5	
		SHEET	1 OF 2

8 | 7 | 6 | 5 | 4 | 3 | 2 | 1

A

A

8 7 6 5 4 3 2 1

D

D

C

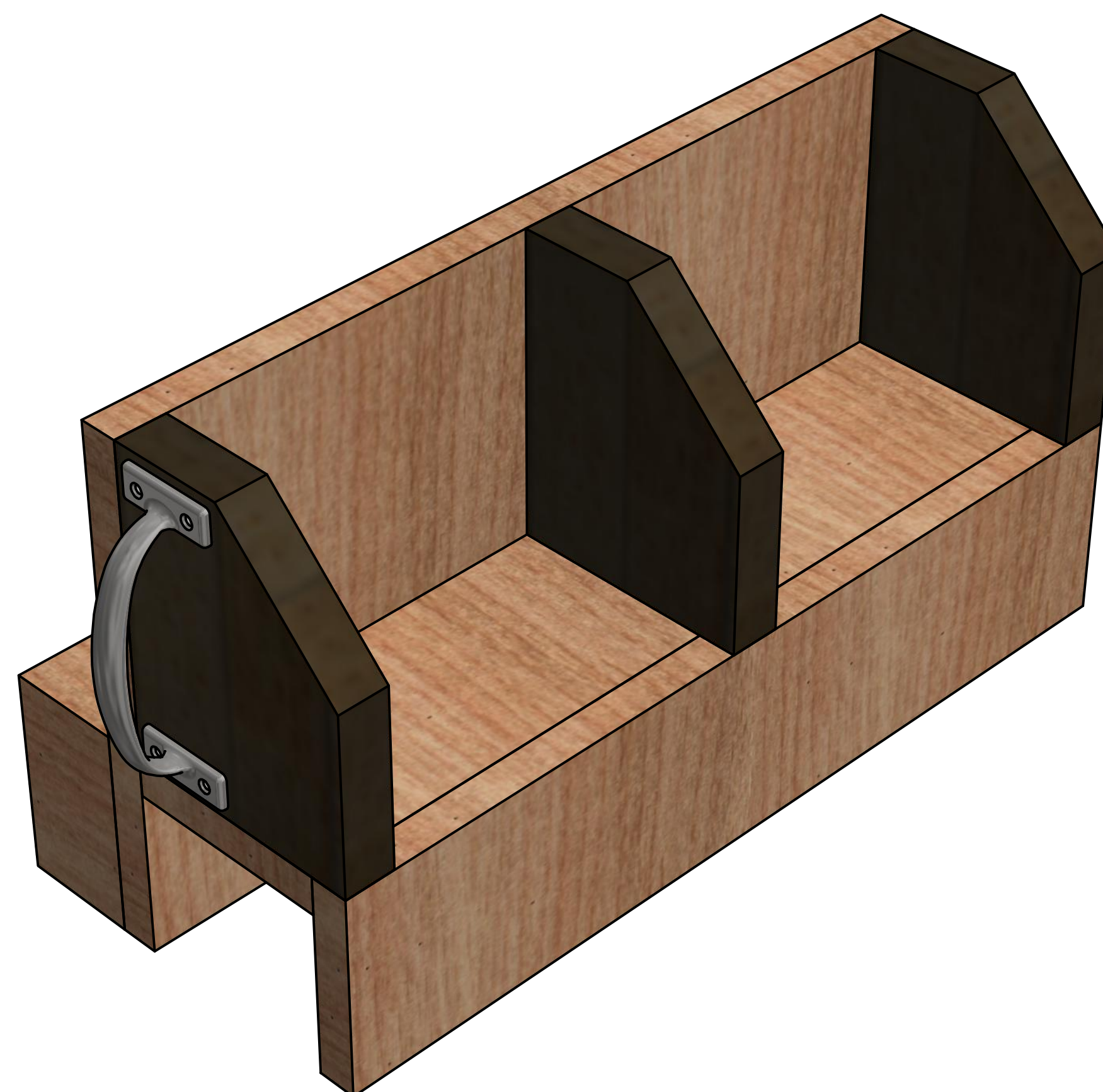
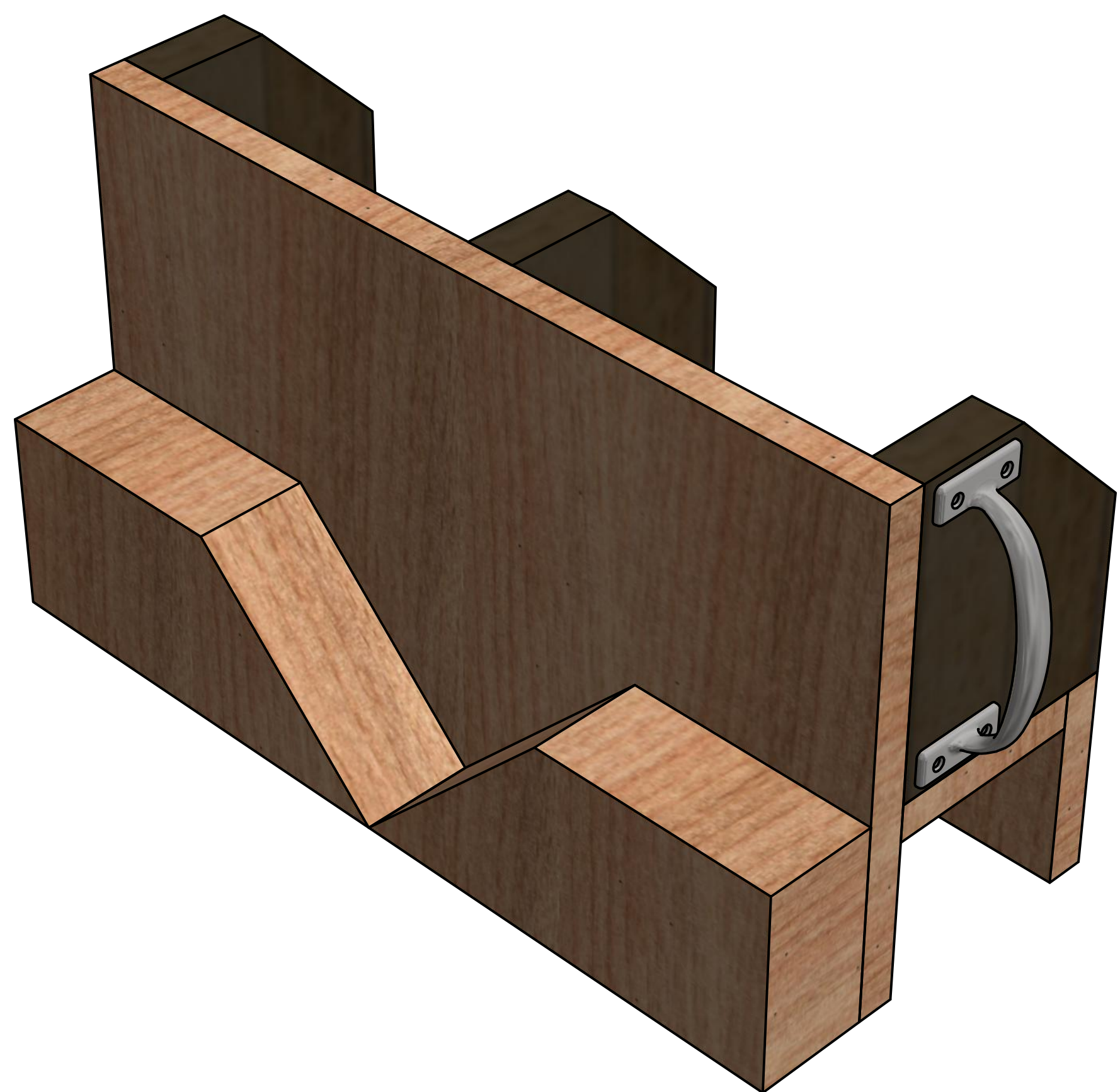
C

B

B

A

A



DRAWN	3/1/2019		
CHECKED		TITLE	
QA			
MFG			
APPROVED			
		SIZE	DWG NO
		D	Jig1
		SCALE	REV
		.5	
		SHEET	2 OF 2

8 7 6 5 4 3 2 1