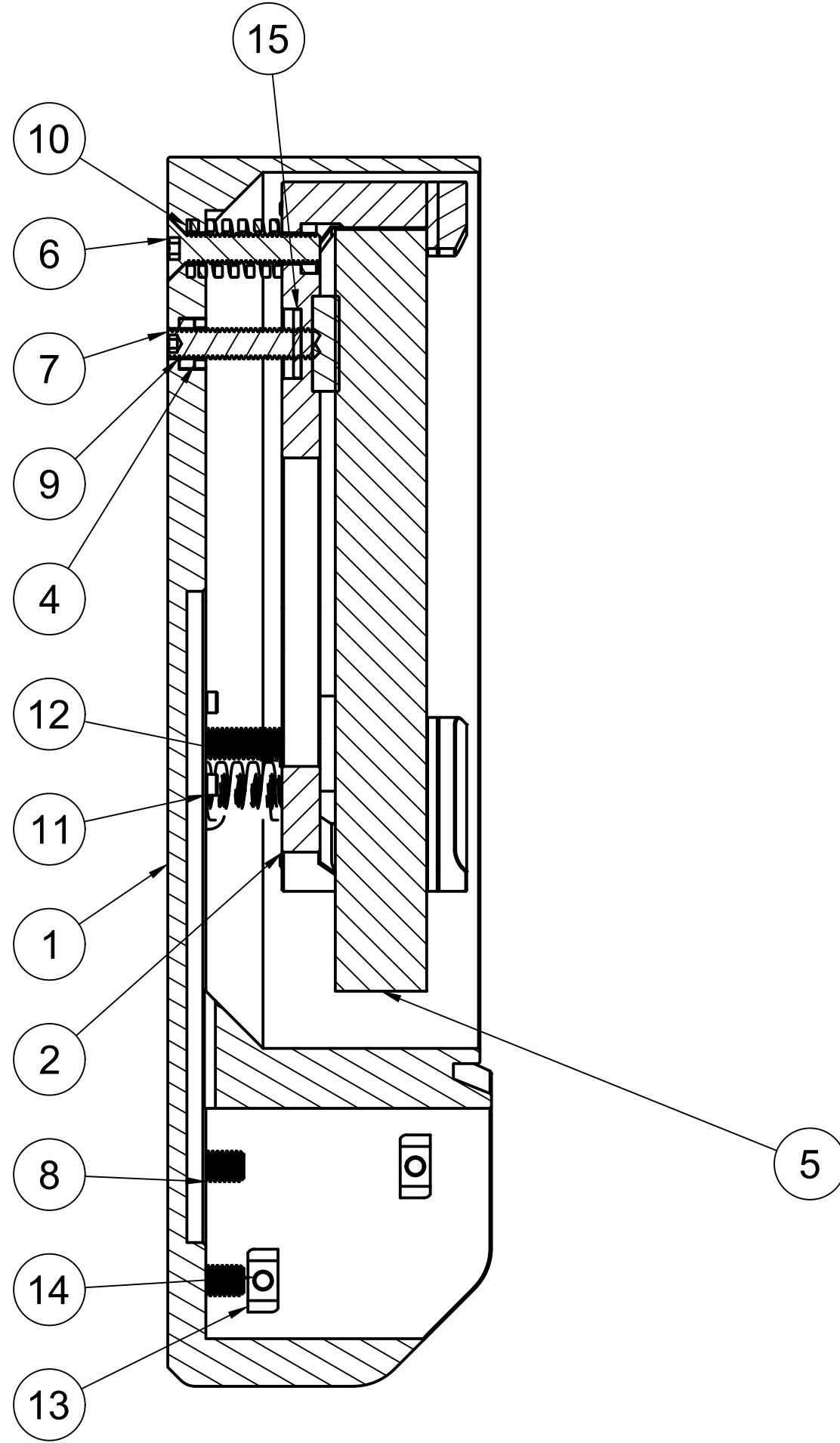


VERSION HISTORY		
REV	DESCRIPTION	DATE
1.0	First Edition	12/04/19



Parts List		
Item	Qty	Part Number
1	1	Mirror Housing
2	1	Mirror Brace
4	3	Mirror Nut Cover
5	1	8" f/4
6	3	M8-40-SHCSS
7	3	M8-40-SHGS
8	4	M8-20-SHCSS
9	6	M8-NUT-SQUARE-HALF
10	3	DIE-SPRING
11	6	M3-6-SHCS
12	6	M4-45-SHCS
13	4	30-M6-T-NUT
14	4	M6-12-SHCS
15	3	5p

Dept. FUN	Technical reference TELESCOPE	Created by Greg Holloway 12/04/2019	Approved by
		Document type ASSEMBLY	Document status RELEASED
		Title Mirror Assembly	DWG No. MIR-AS
		Rev. 1.0	Date of issue 12/04/19
		Sheet 1/1	