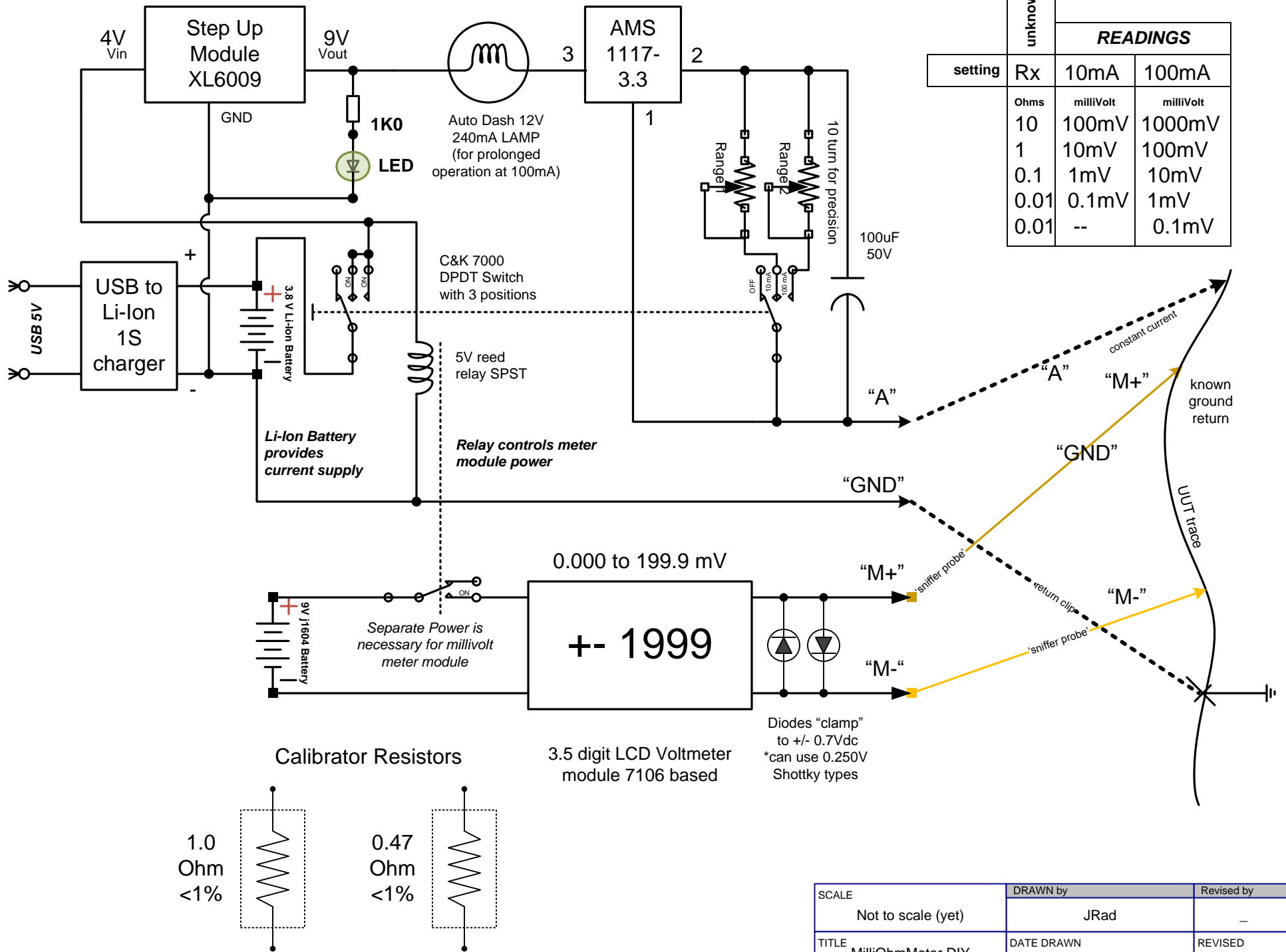
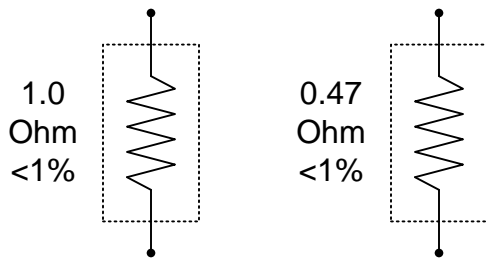


constant current bench source



setting	Rx	READINGS	
		10mA	100mA
unknown	Ohms	milliVolt	milliVolt
10	100mV	1000mV	
1	10mV	100mV	
0.1	1mV	10mV	
0.01	0.1mV	1mV	
0.01	--	0.1mV	

Calibrator Resistors



SCALE	DRAWN by	Revised by
Not to scale (yet)	JRad	-
TITLE	DATE DRAWN	REVISED
MilliOhmMeter DIY Walsmho_Version 2	15 JAN 2019	28 JAN 19