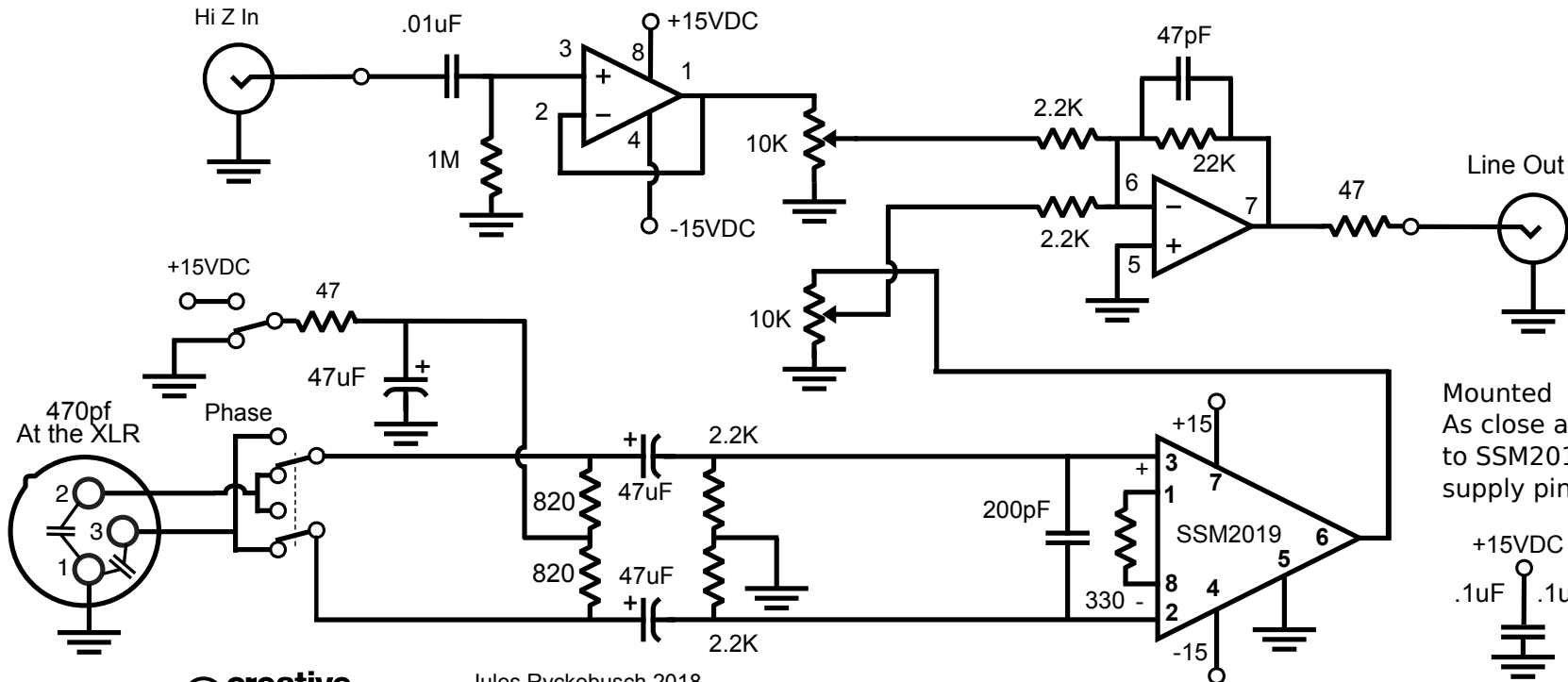


+15VDC -15VDC
 .1uF .1uF Mounted
 As close as possible
 to Op Amp supply pins



Mounted
 As close as possible
 to SSM2019
 supply pins

+15VDC -15VDC
 .1uF .1uF