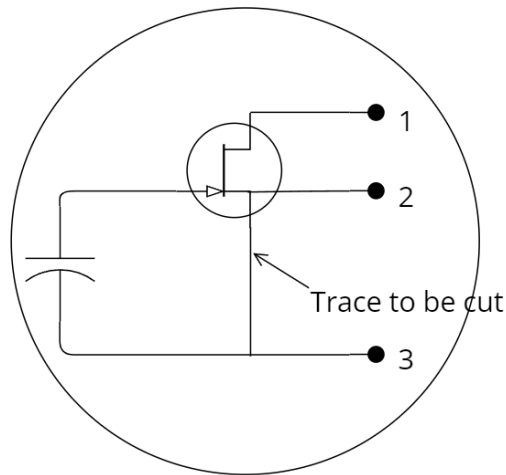
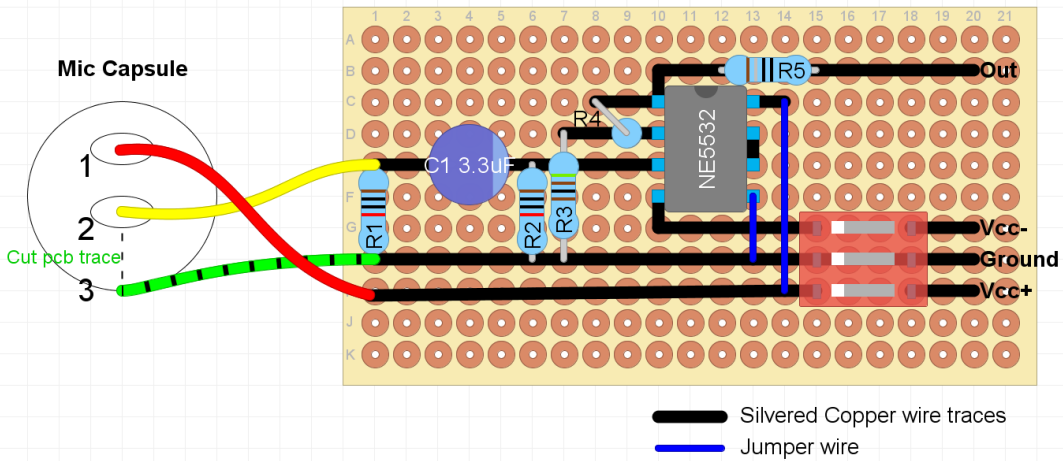


Name	Value	Quantity	Notes
Perf Board w/ Pads		1	
C1	3.3uF	1	
NE5532		1	
R1, R2, R4	10K 0.25W	3	
R3	5.1K 0.25W	1	
R5	180Ω 0.25W	1	
SW1	DPDT	1	



Electret capsule