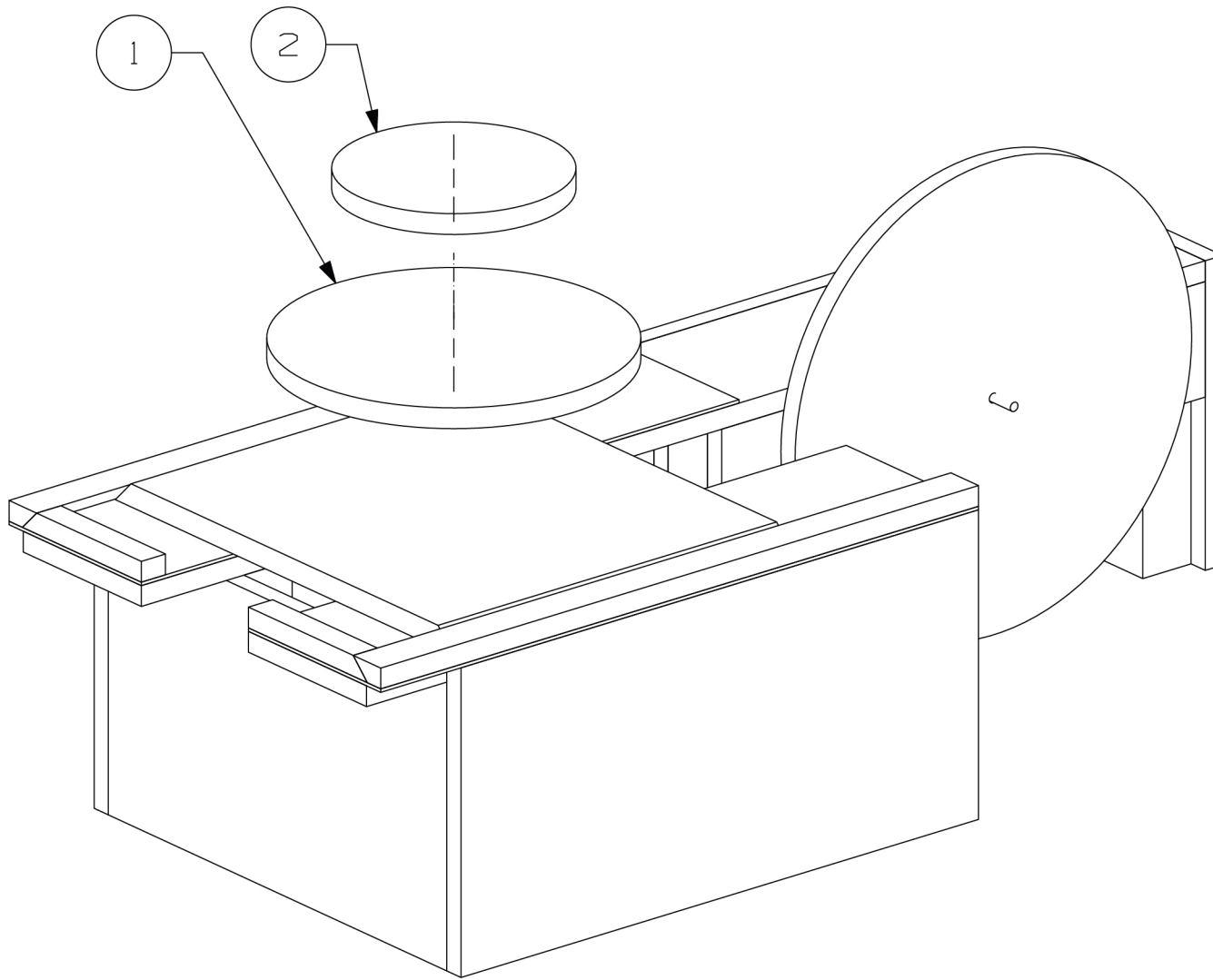
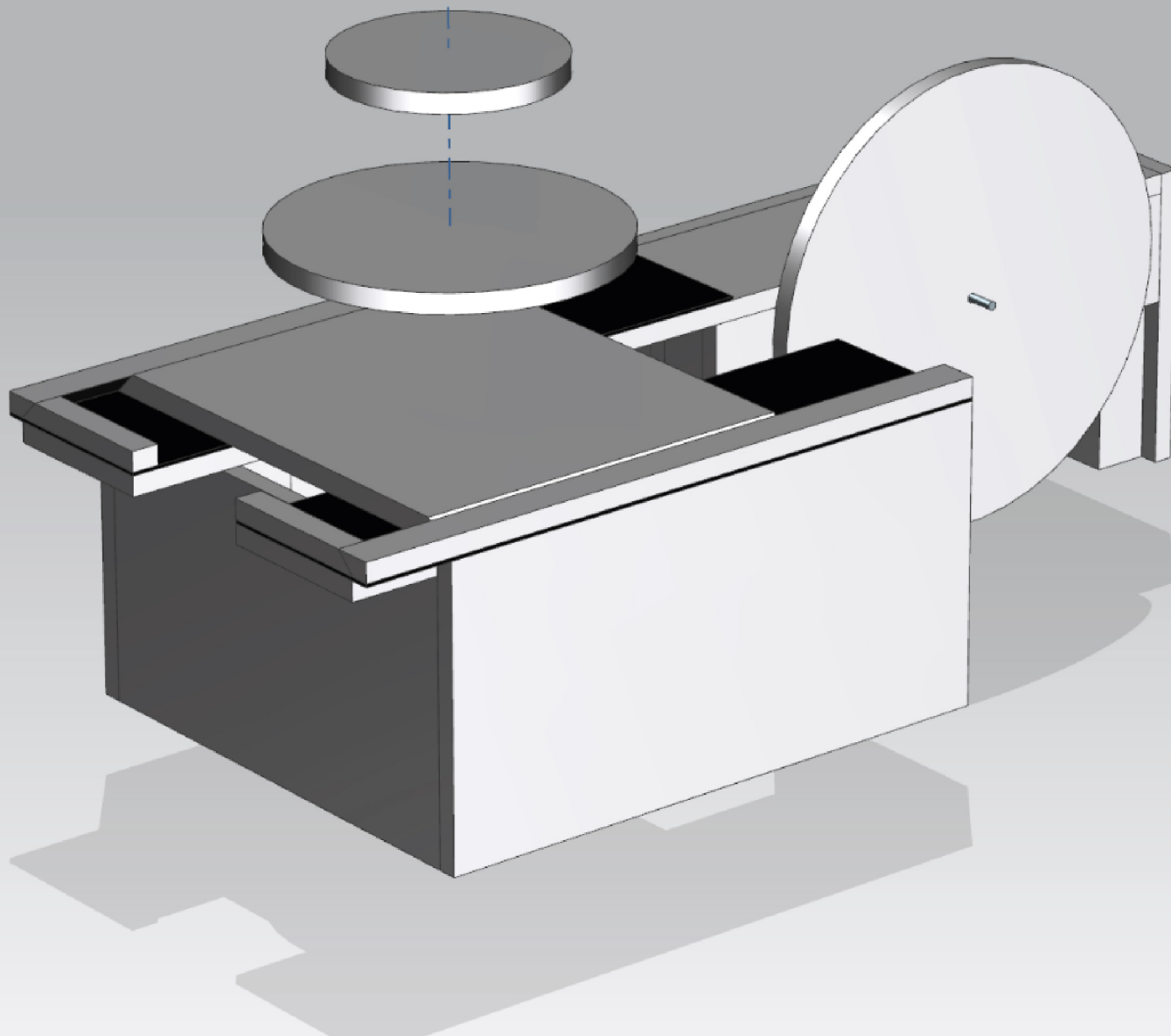
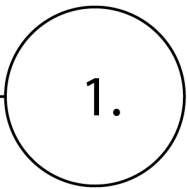


# Exploded View

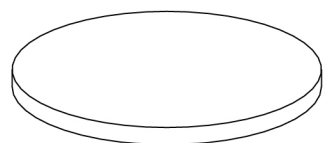
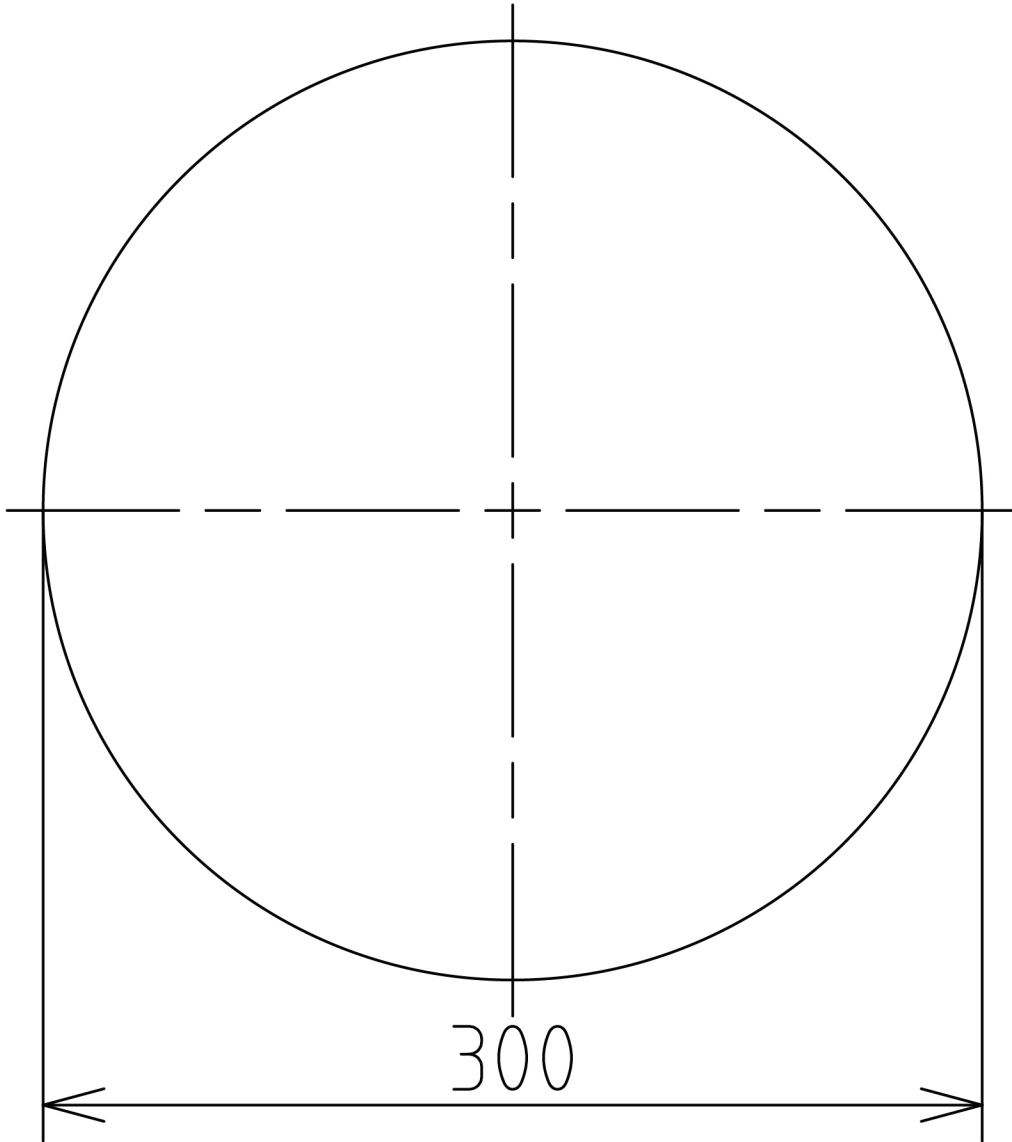


2	SJABLOON DIAMETER 19.6	1
1	SJABLOON DIAMETER 30	1
PC NO	PART NAME	QTY





Thickness 18



2.

Thickness 18

