




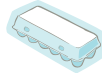



# madeo™ Egg Carton Owl

You'll have a real hoot with this creation! To make an owl with wide staring eyes we've used egg cartons, cardboard and foil trays along with Makedo parts available from [mymakedo.com](http://mymakedo.com)

-  x 8
-  x 8
-  x 2
-  x 1
-  x 1
-  x 2
-  x 2



## · Find · Saw · Punch ·



1 To make your Egg Carton Owl, source materials such as foil trays for the eyes and egg cartons for the body and other features. We will also reuse card from the Babbaco box for the Owl's wings.



2 Use the Makedo Safe-saw and cut a section containing eyes and a beak from one egg carton. Also cut out two individual egg cups. We will use these for the feet.



3 Use the point end of the Makedo Safe-saw and punch a hole in the center of the egg carton eyes, feet and the foil trays.

## · Punch · Connect · Saw ·



4 We will use the second egg carton for the Owl's body. Punch holes where you want to position your Owl eyes.



5 To assemble the eyes, layer the egg carton cutout on top of the foil trays and connect them to the body using Makedo Re-clips. Connect the feet to the bottom of the egg carton using Makedo Re-clips.



6 For the wings of your Owl, use the Makedo Safe-saw and cut off the side flaps of your Babbaco box.

## · Build · Share ·



7 Place the wings on both sides of the owl and connect them with Makedo Lock-hinges and Re-clips.



8 Your Egg Carton Owl is now ready to take flight! Create other Egg Carton Critters using found materials and Makedo. Share your creations at [mymakedo.com](http://mymakedo.com) We would love to see them!

