

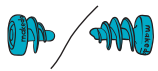
CHRISTMAS TREE



We're saving Christmas with this DIY Xmas Tree made using recycled cardboard.

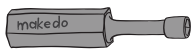
All you need is some recycled cardboard and Makedo tools available from: www.make.do

x44



SCRU or SCRU XL

x1



SCRUDRIVER

x1



SAFE-SAW

x16



Corrugated cardboard
(ideally 1/8" +)



1 Using the template on Page 2, measure and cut out the cardboard triangles. You should have 16 when done.



2 To crease the cardboard on the fold lines, lightly score it with the tip end of the Safe-Saw.



3 Fold along the crease. Repeat this step to the remaining triangles.



4 Use the Safe-Saw to punch holes in each triangle panel as shown on the template.



5 Each module uses four identical triangle panels. Place the flap of one triangle over the edge of the second and align the holes. Screw in place.



6 Fold in the flaps below and screw the corners together to complete the triangular module. You should have 4 modules. 1x A, 2x B & 1x C.



7 Position the triangles on top of one another in the following order (from bottom to top): B - C - B - A.



8 There are endless ways to decorate your Christmas tree. Get creative and make your tree super special.

Your **CHRISTMAS TREE** is made!

Time to share and inspire others.

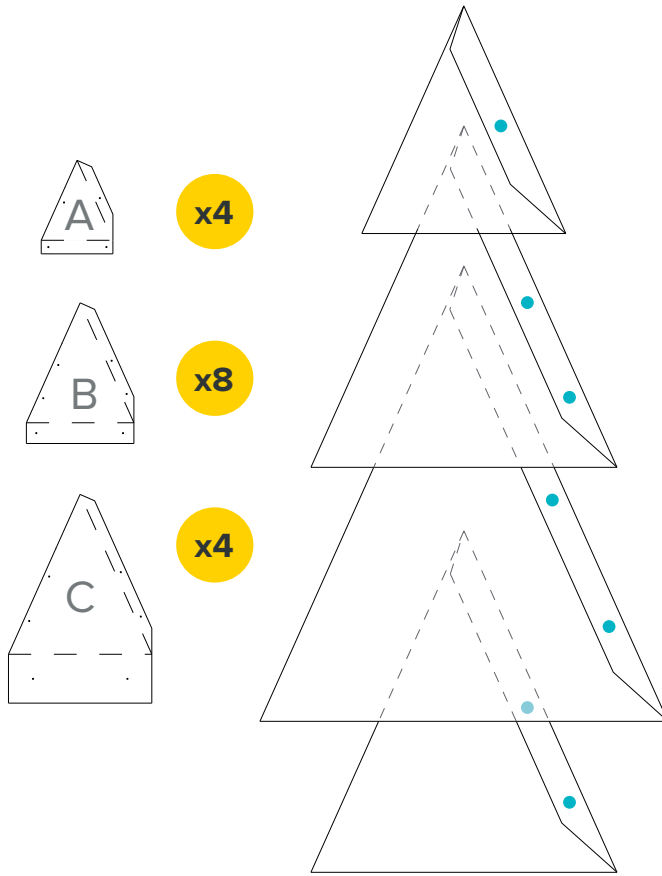


/makedo

Tag your photos: @makedo
#mymakedo #christmastree

Discover more cardboard
creativity at www.make.do

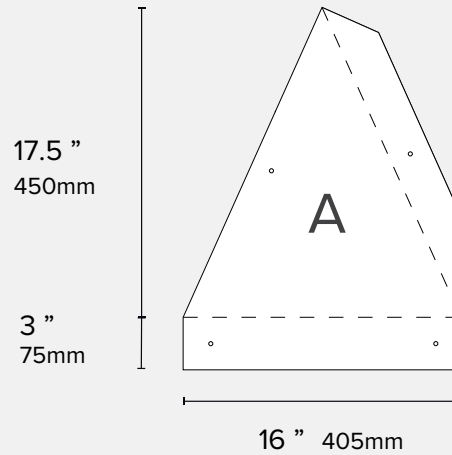
CHRISTMAS TREE



Use the templates on the right to measure and cut the panels. Note how many you need of each panel above.

All you need is some recycled cardboard and Makedo tools available from: www.make.do

TEMPLATE ONLY
not to scale



TIP:

Cut one of each triangle first, then use that as a template for the others. That way all the holes will line up.

