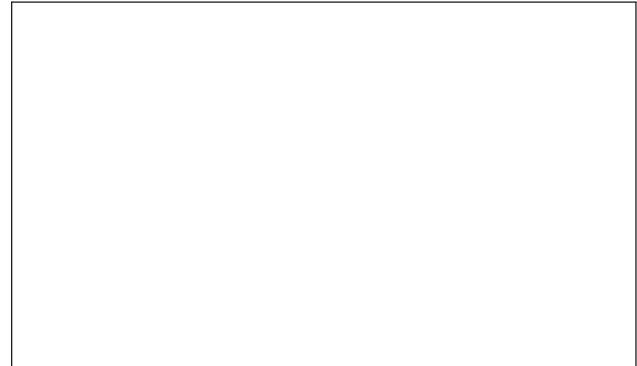


Sheet: Sheet5FE3788B

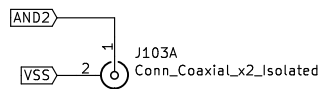


File: CONTER1.sch

Sheet: Sheet5FE3780F



File: FREQ.sch



AND2->IN_BNC

Sheet: OSCILATION

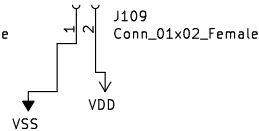
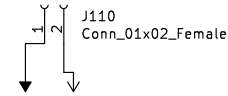
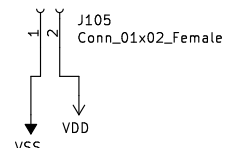
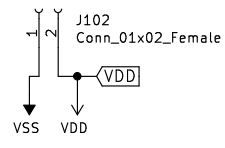
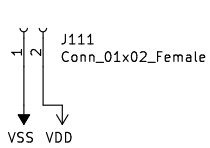
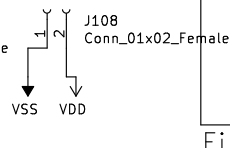
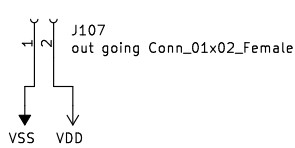
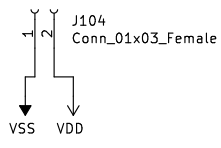
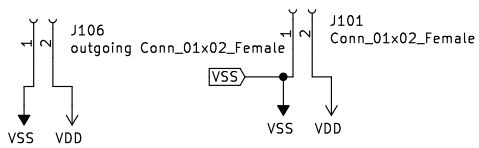


File: PIERCE.sch

Sheet: Sheet6016B7CD



File: DIVIDER.sch



J101-102,104-105->BREADBOARD

EXTERNAL CONNECTIONS

Sheet: /
File: 4TH BOARD_REV1.sch

Title:

Size: A4

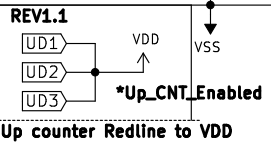
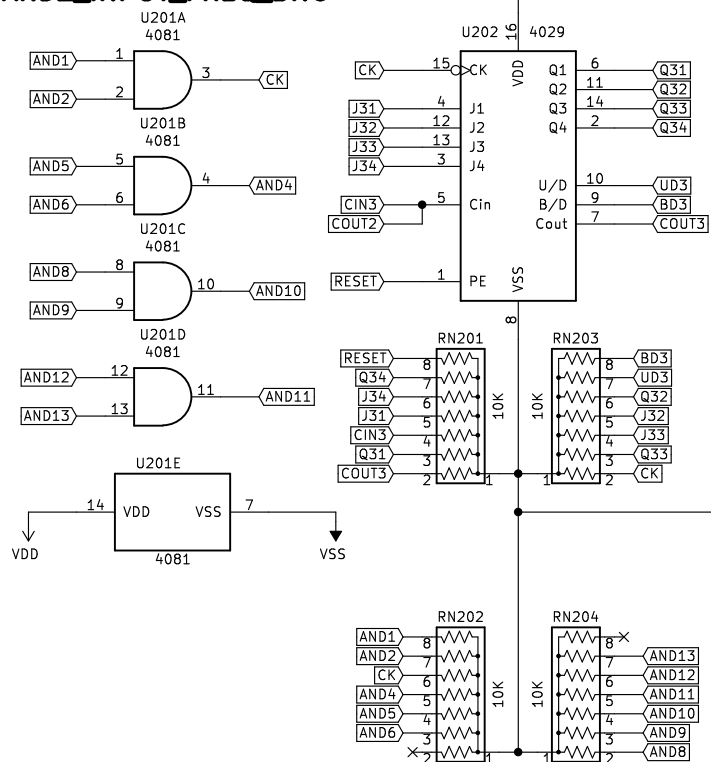
Date:

KiCad E.D.A. eeschema (5.1.8)-1

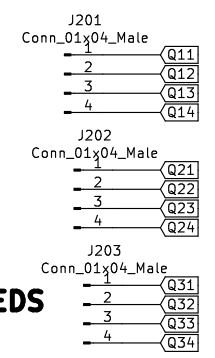
Rev: 1.1

Id: 1/5

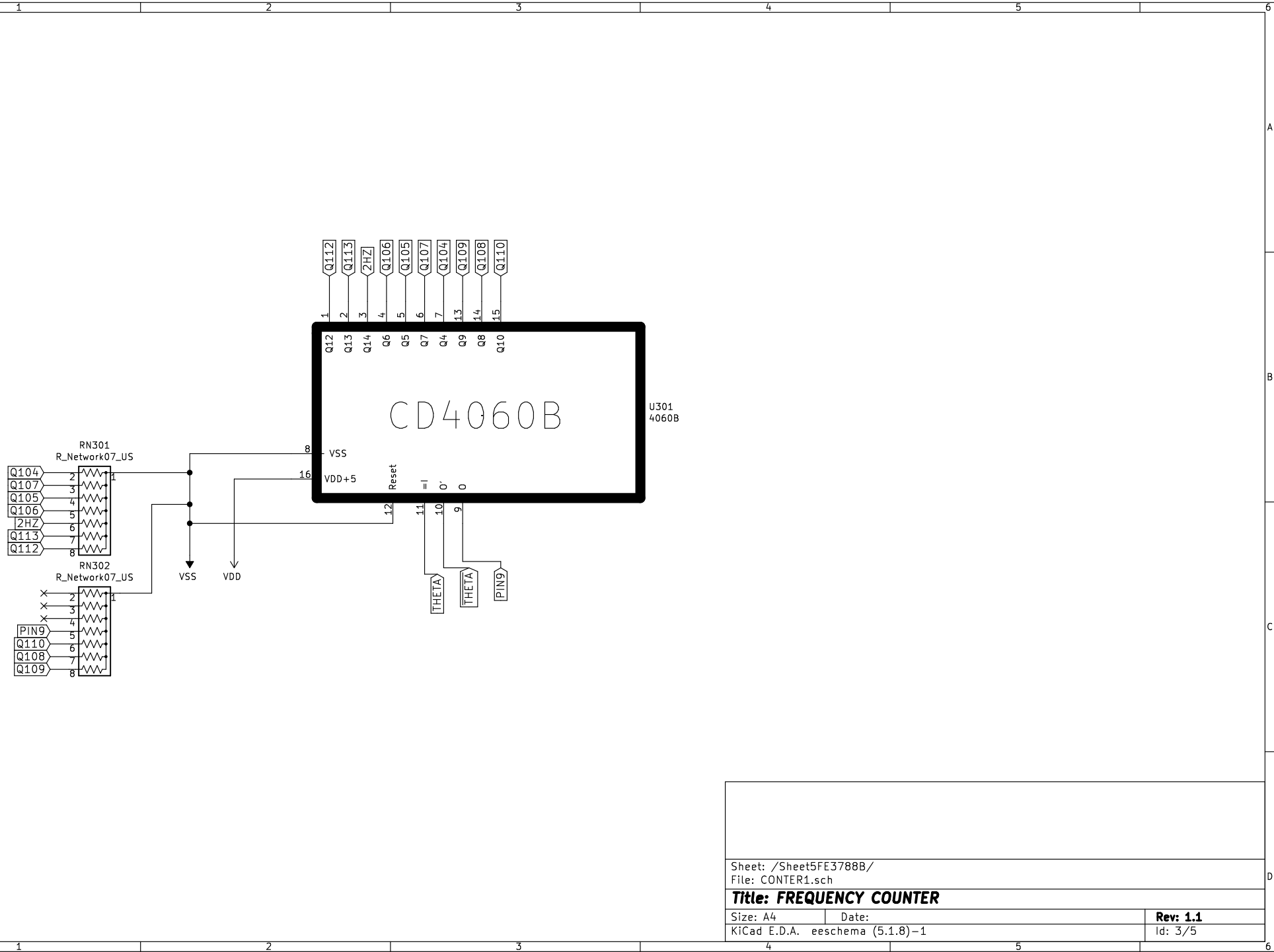
AND2_INPUT_FREQ_BNC



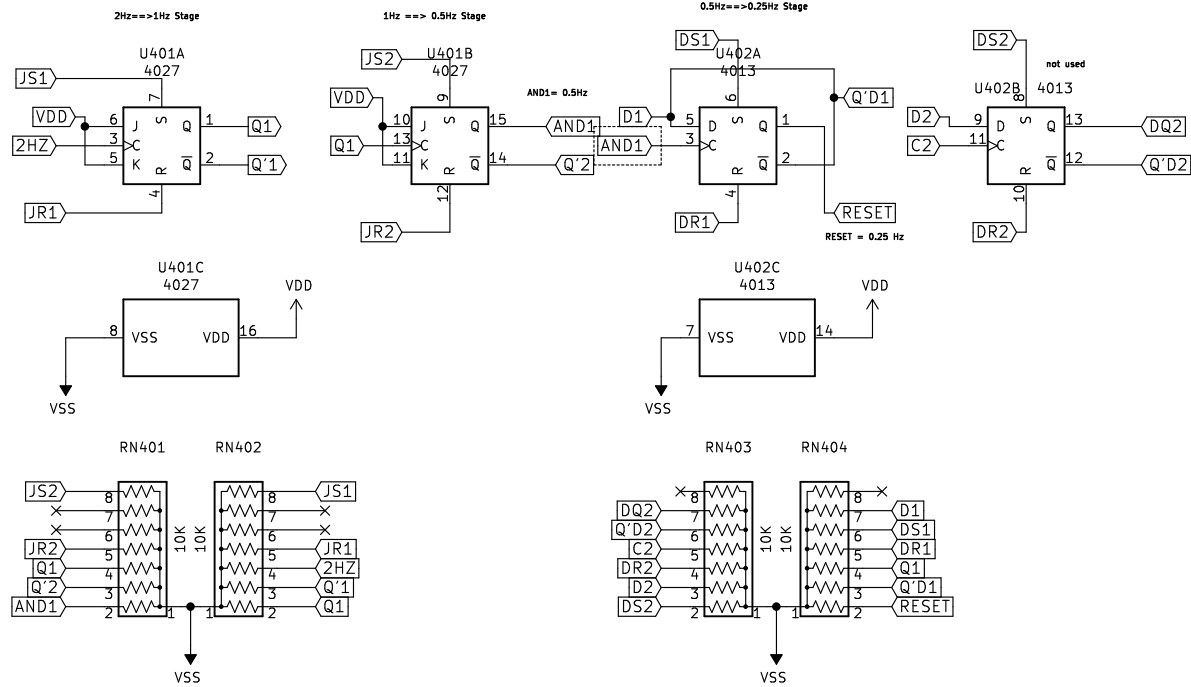
FREQUENCY COUNTER STAGES.
CD4029
RESET = 0.25 HZ
AND1 = 0.5 HZ
J210 = 1's PLACE



OPEN SOURCE	
XZYRN	
Sheet: /Sheet5FE3780F/ File: FREQ.sch	
Title: COUNTER	
Size: A4	Date:
KiCad E.D.A. eeschema (5.1.8) - 1	Rev: 1.1 Id: 2/5

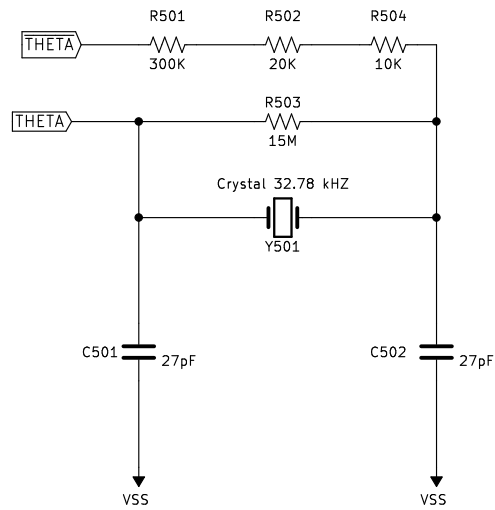


Sheet: /Sheet5FE3788B/		Date:	
File: CONTER1.sch		Rev: 1.1	
Size: A4	KiCad E.D.A. eeschema (5.1.8)-1		Id: 3/5



RED LINES REV1.1
 Replaced the former 1Hz Input with .5Hz In

Update: FREQUENCY DIVIDER FLIP FLOP CIRCUITS	
RED lines included	
XZYRN	
Sheet: /Sheet6016B7CD/ File: DIVIDER.sch	
Title: Timing Signals for Counting	
Size: A4	Date:
KiCad E.D.A. eeschema (5.1.8)-1	Rev: 1.1 Id: 4/5



RT=_330K

R503=15M

PIERCE OSCILATOR CIRCUIT 32.768 KHZ

Sheet: /OSCILATION/
File: PIERCE.sch

Title:

Size: A4

Date:

Rev:

KiCad E.D.A. eeschema (5.1.8)-1

Id: 5/5