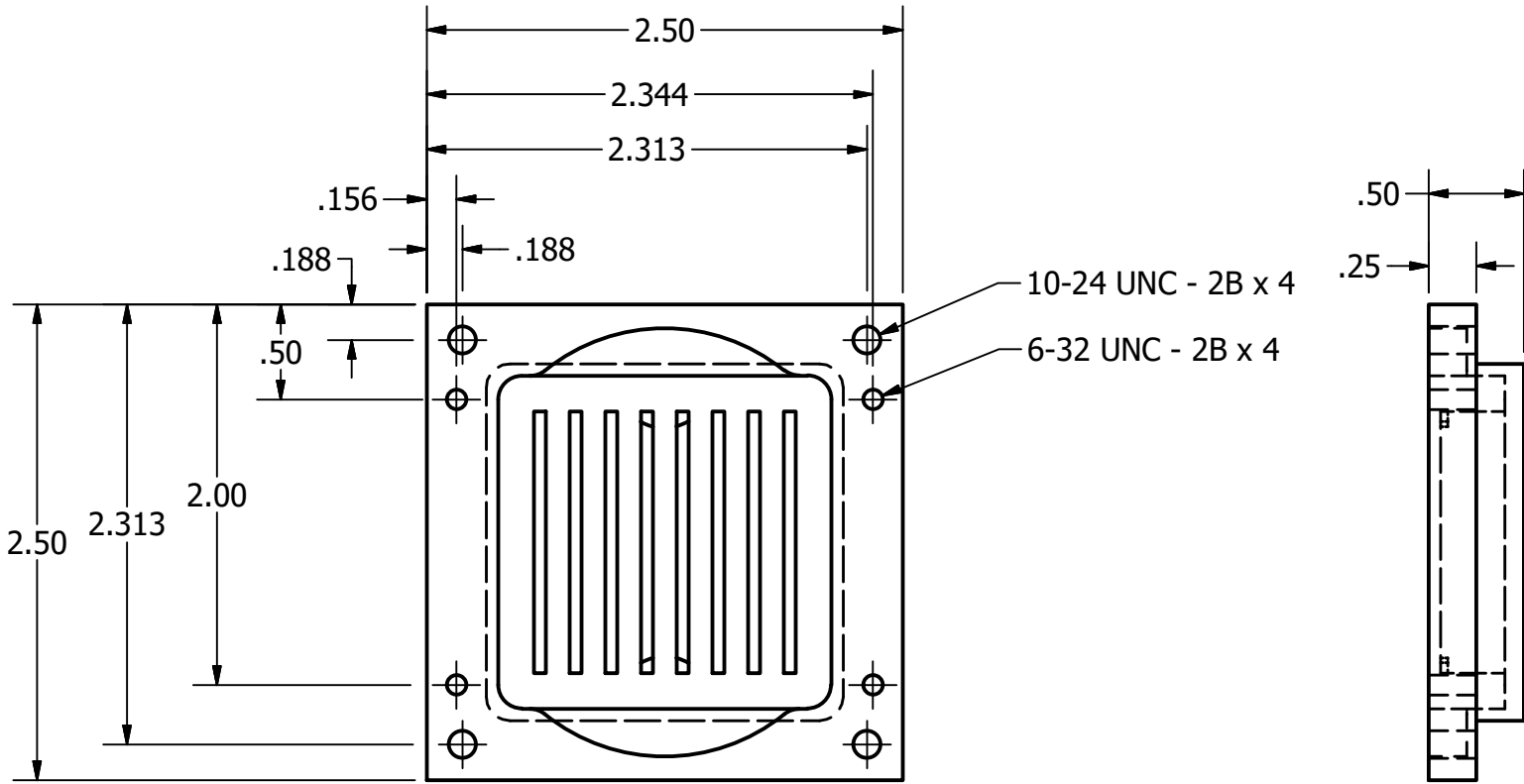


For detailed dimensioning refer to CAD



10-24 UNC - 2B x 4

6-32 UNC - 2B x 4

Material: Aluminum or Copper

Note: Deburr as necessary

DRAWN	
Tinker Bot	
CHECKED	
QA	
MFG	
APPROVED	

Center pocket and rear contour are to be CNC machined  
Holes are to be manually machined

TITLE			
<b>Main Block</b>			
SIZE		DWG NO	REV
<b>A</b>		<b>Main_Block</b>	
SCALE		SHEET 1 OF 1	