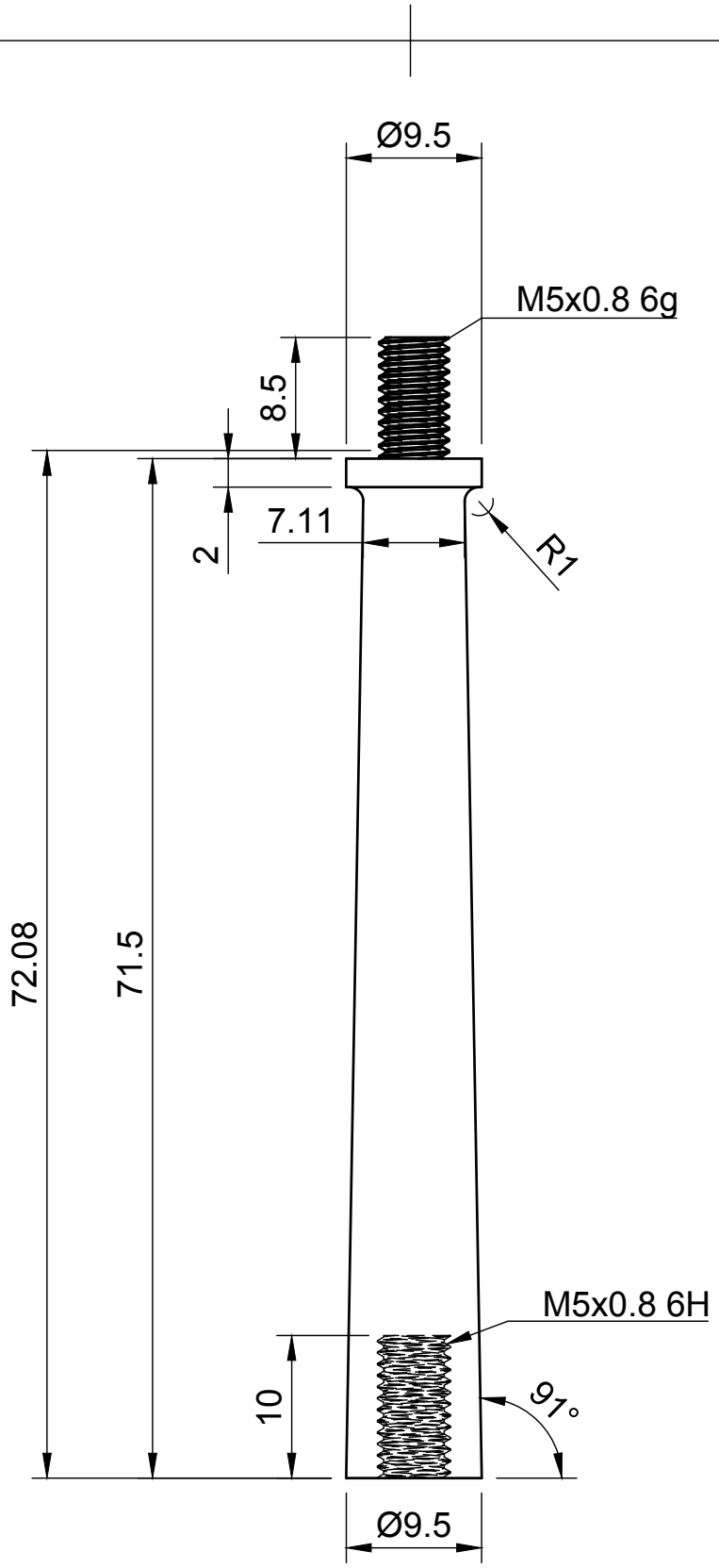
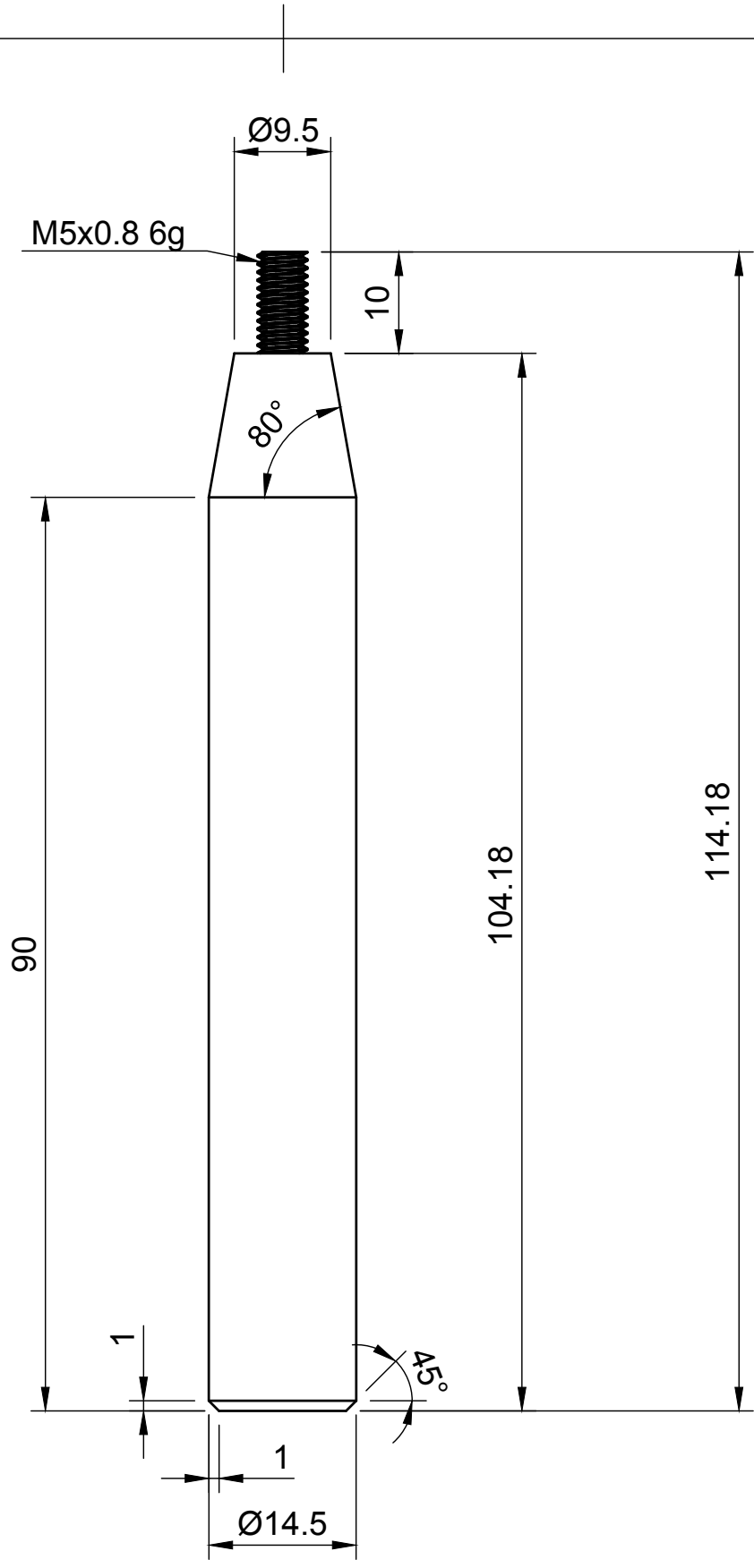


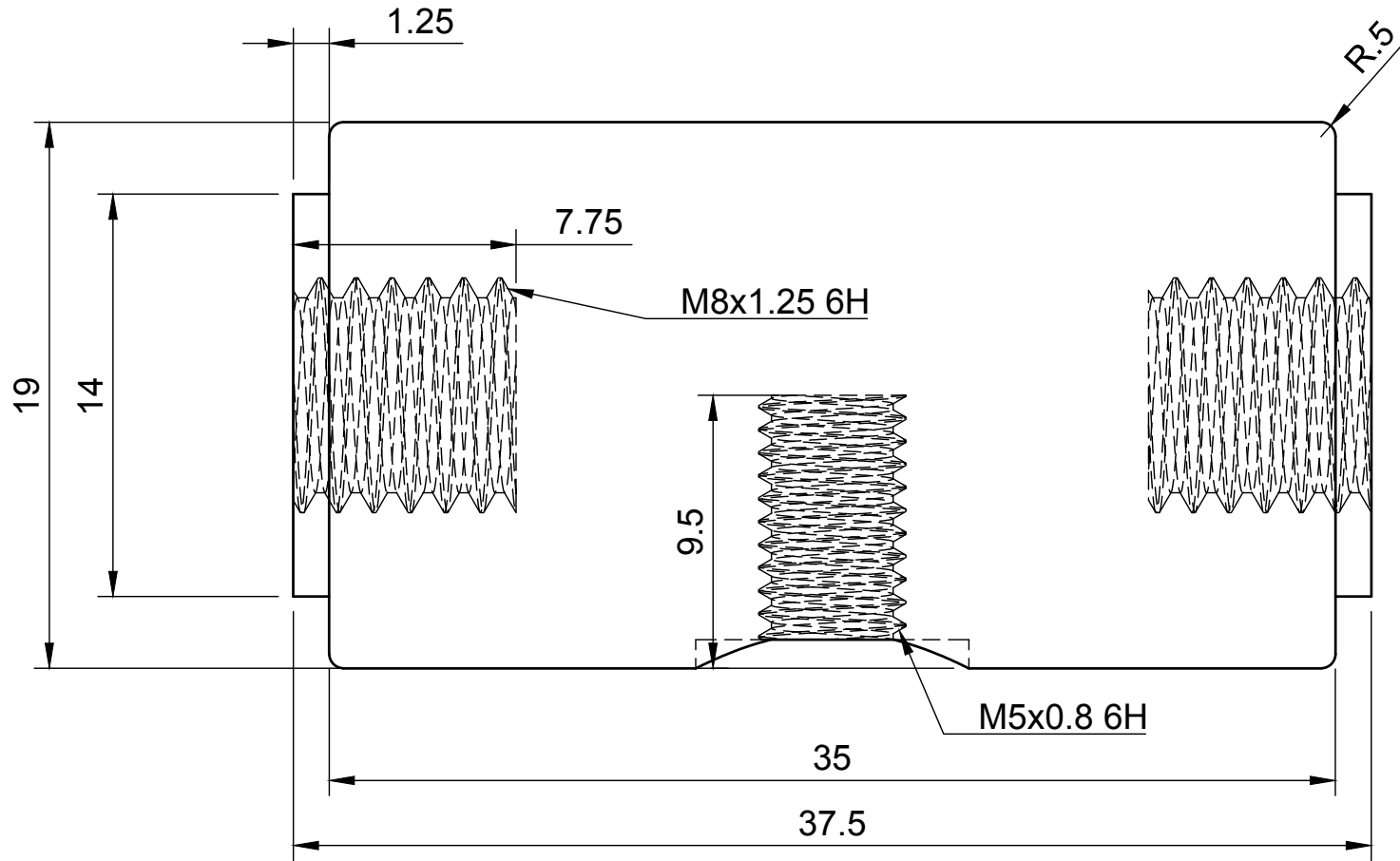
Dept.	Technical reference	Created by Toby Walls 29/04/2024	Approved by	
		Document type	Document status	
		Title Machinist's Hammer	DWG No.	
		Rev.	Date of issue	Sheet 1/5



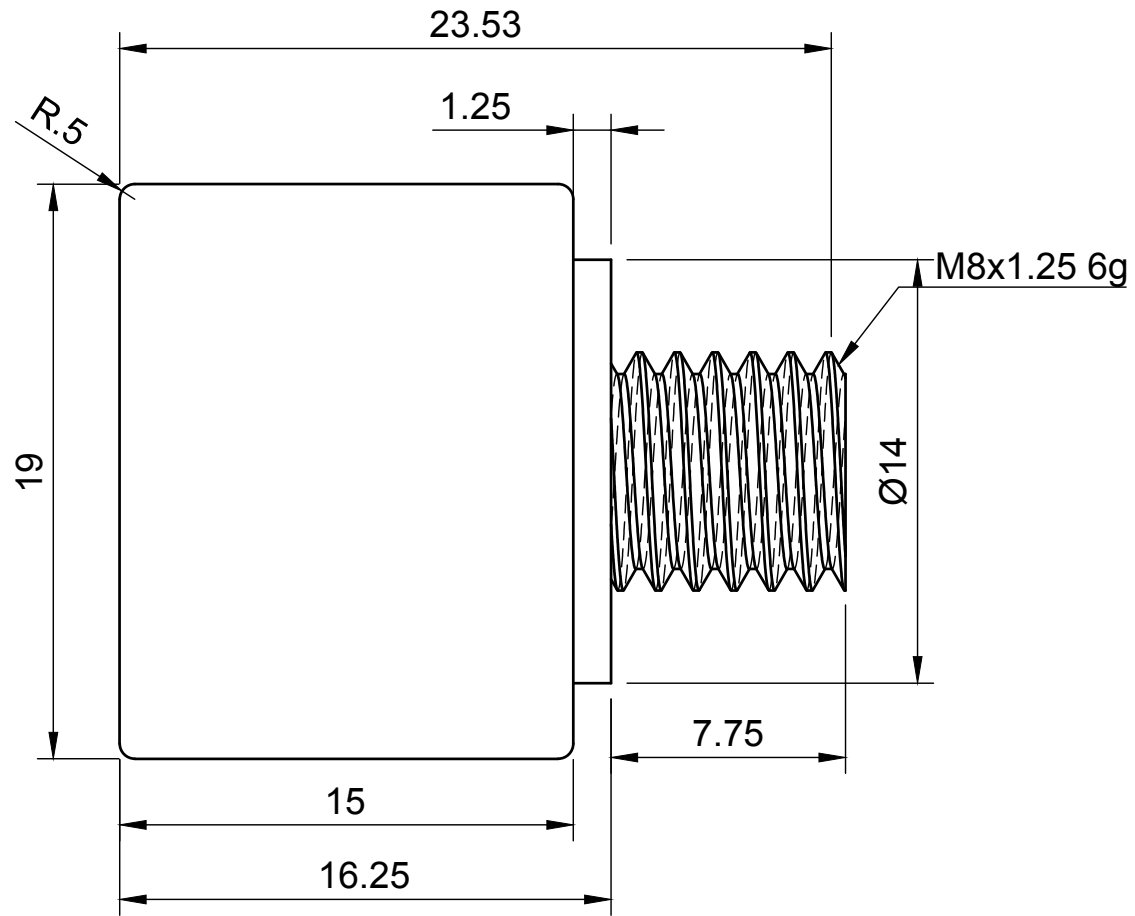
Dept.	Technical reference	Created by Toby Walls 29/04/2024	Approved by	
		Document type	Document status	
		Title Machinist's Hammer	DWG No.	
		Rev.	Date of issue	Sheet 2/5



Dept.	Technical reference	Created by Toby Walls 29/04/2024	Approved by	
		Document type	Document status	
		Title Machinist's Hammer	DWG No.	
		Rev.	Date of issue	Sheet 3/5



Dept.	Technical reference	Created by Toby Walls	29/04/2024	Approved by
		Document type	Document status	
		Title Machinist's Hammer	DWG No.	
Rev.	Date of issue	Sheet		4/5



Dept.	Technical reference	Created by Toby Walls	29/04/2024	Approved by
		Document type	Document status	
		Title Machinist's Hammer	DWG No.	
Rev.	Date of issue	Sheet		5/5