



DRAWN Kevin Culver	11/27/2020	https://kevswoodworks.com Kev@kcwworks.com		
		TITLE Chest of Drawers		
		SIZE D	DWG NO COD	REV
		SCALE 2	SHEET 1 OF 18	

8 7 6 5 4 3 2 1

D

D

C

C

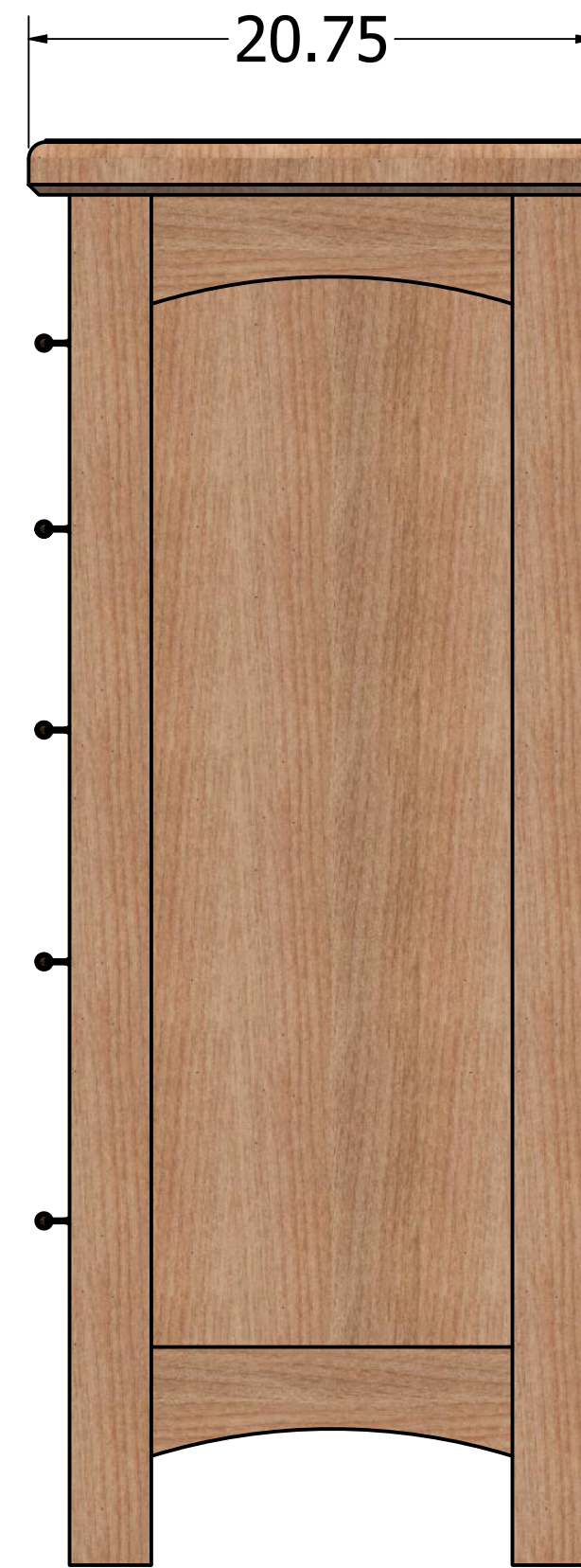
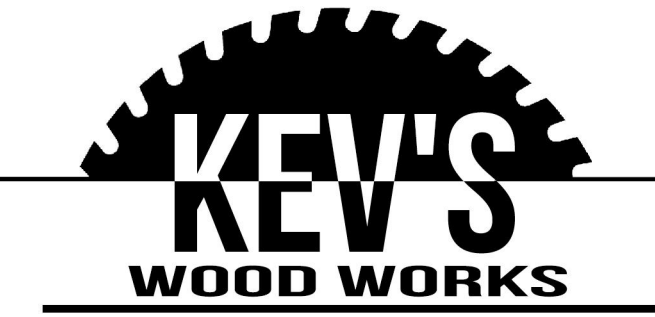
B

B

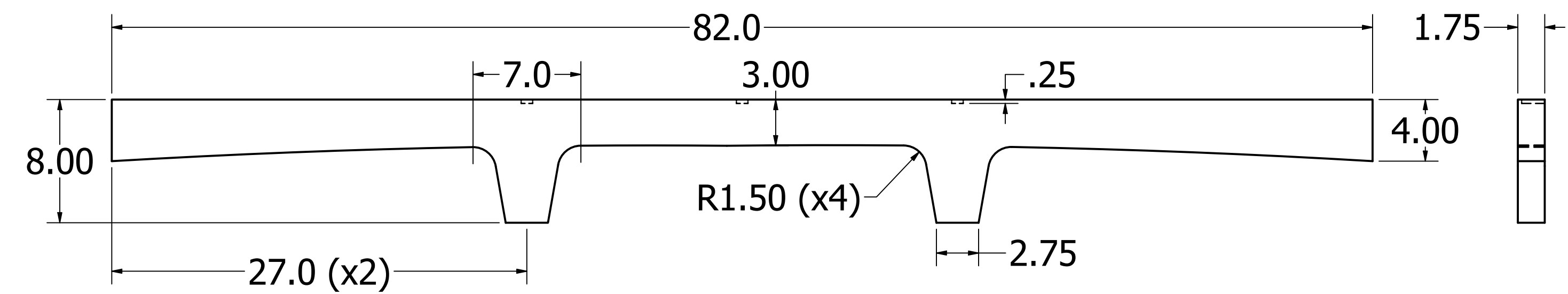
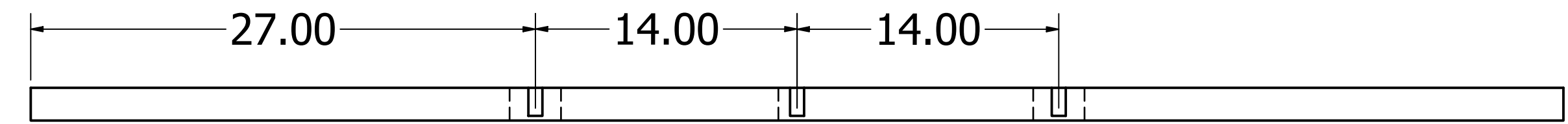
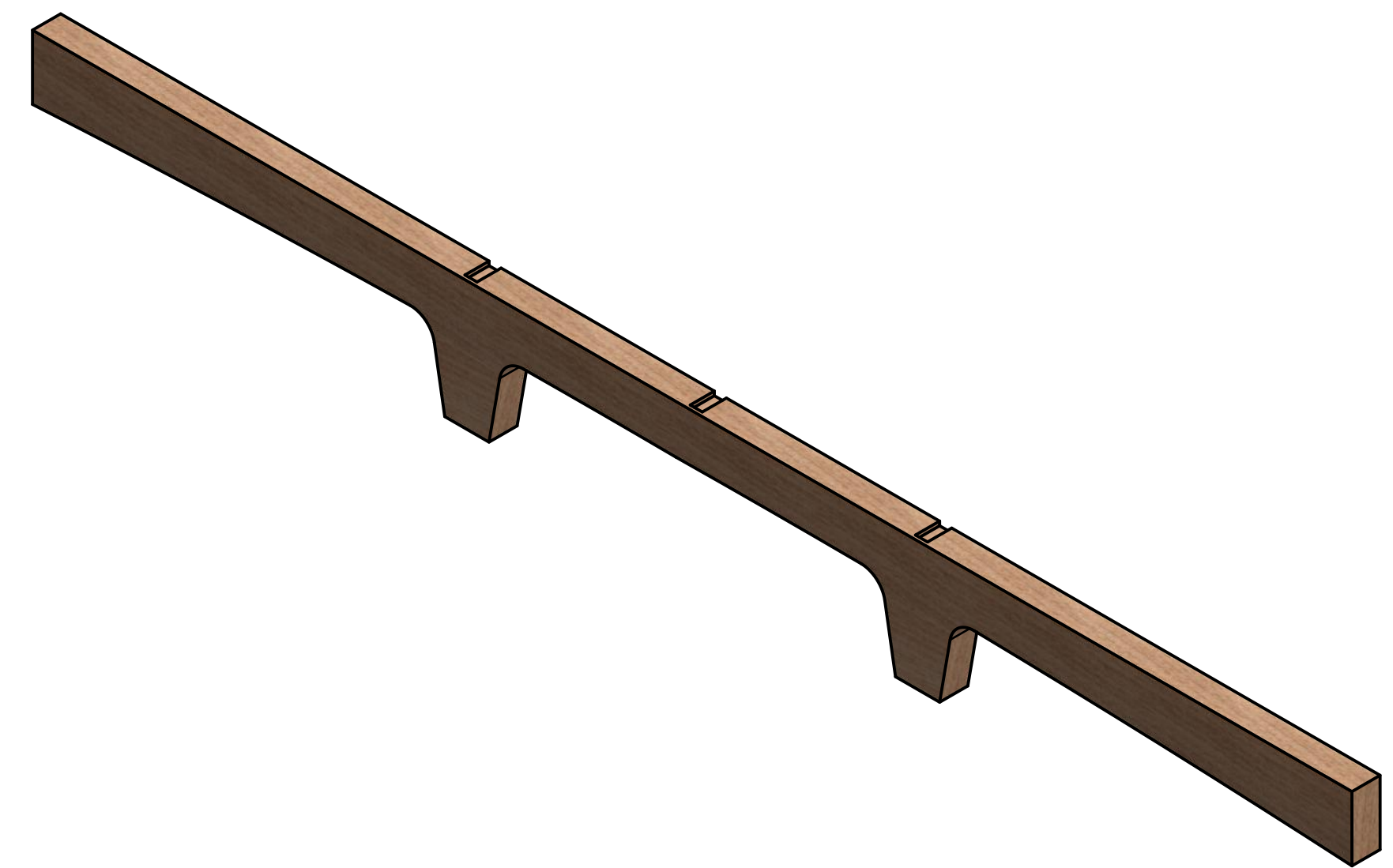
A

A

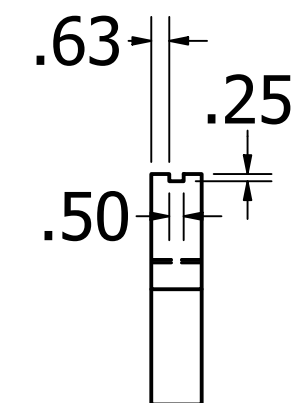
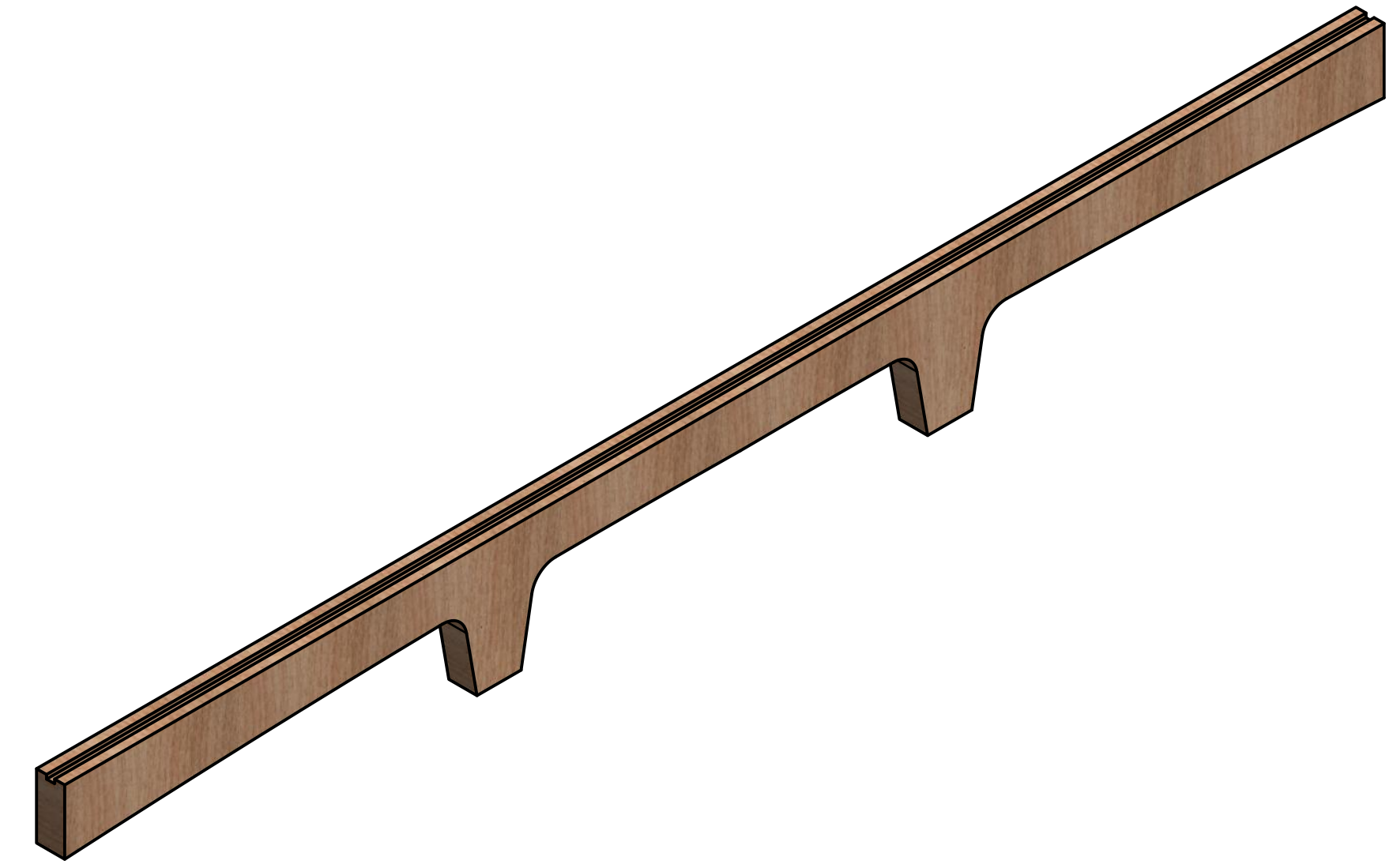
8 7 6 5 4 4 3 2 1



DRAWN Kevin Culver	11/27/2020	https://kevswoodworks.com Kev@kcwworks.com		
		TITLE Chest of Drawers		
		SIZE D	DWG NO COD	REV
		SCALE .15	SHEET 2 OF 18	

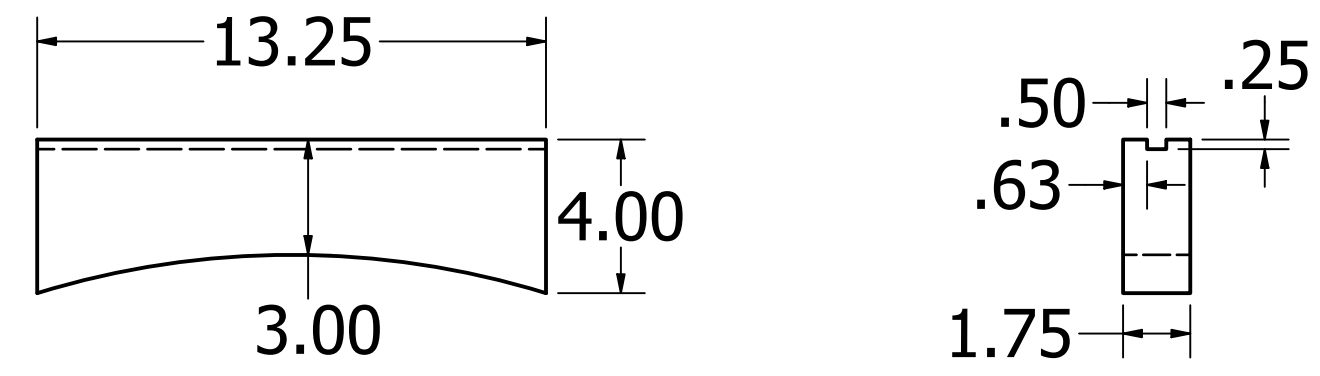
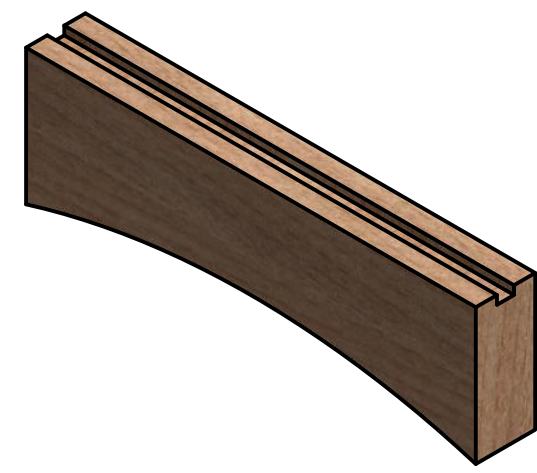


Front & Rear Bottom Rails

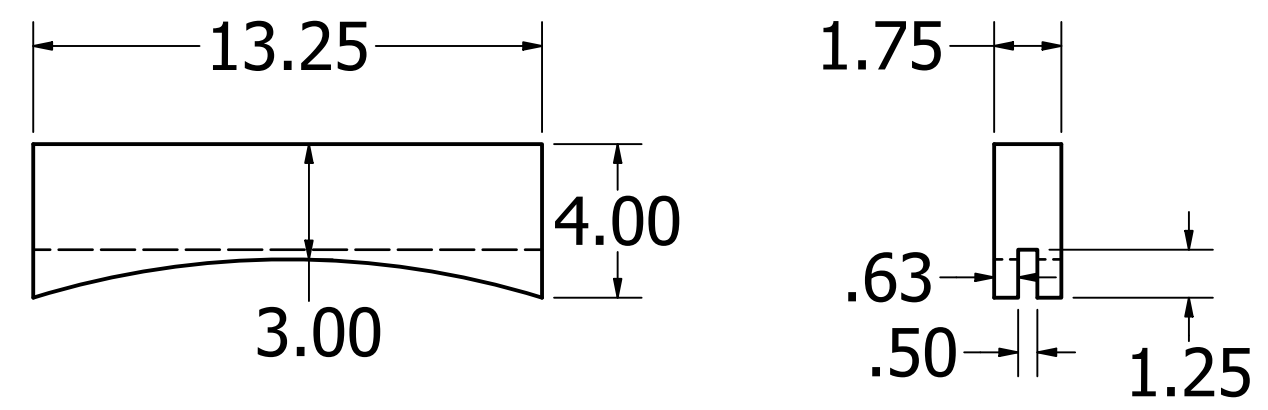
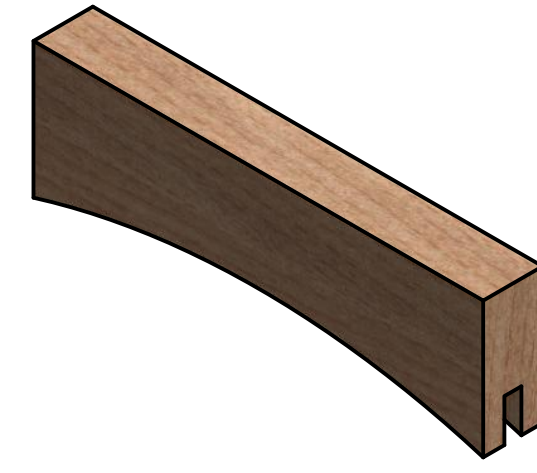


Rear Bottom Rail includes Rabbit

DRAWN Kevin Culver	11/27/2020	https://kevswoodworks.com Kev@kcwworks.com		
		TITLE		
		Chest of Drawers		
		SIZE D	DWG NO COD	REV
		SCALE .15	SHEET 3 OF 18	

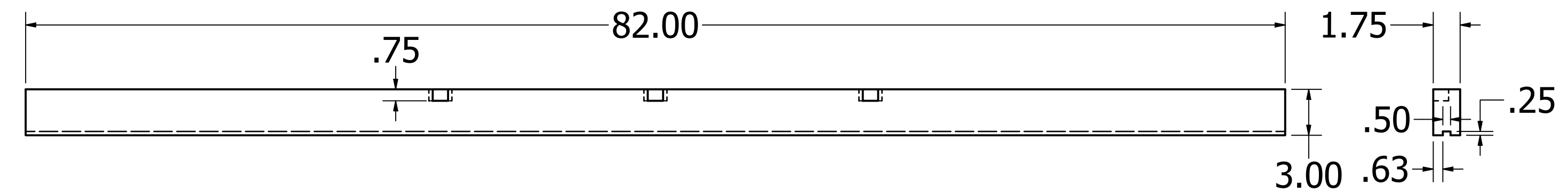
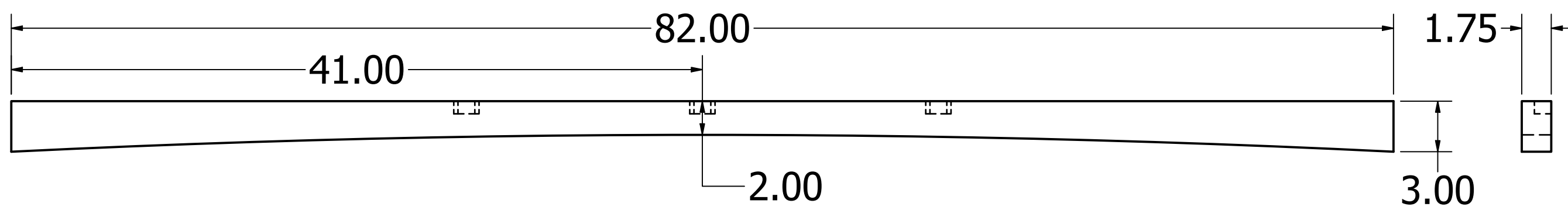
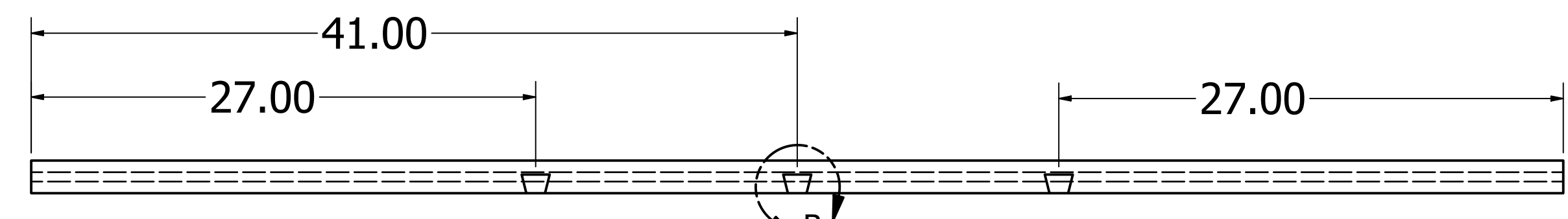
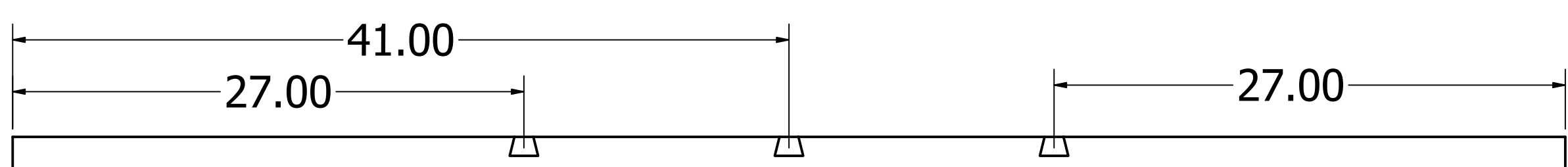
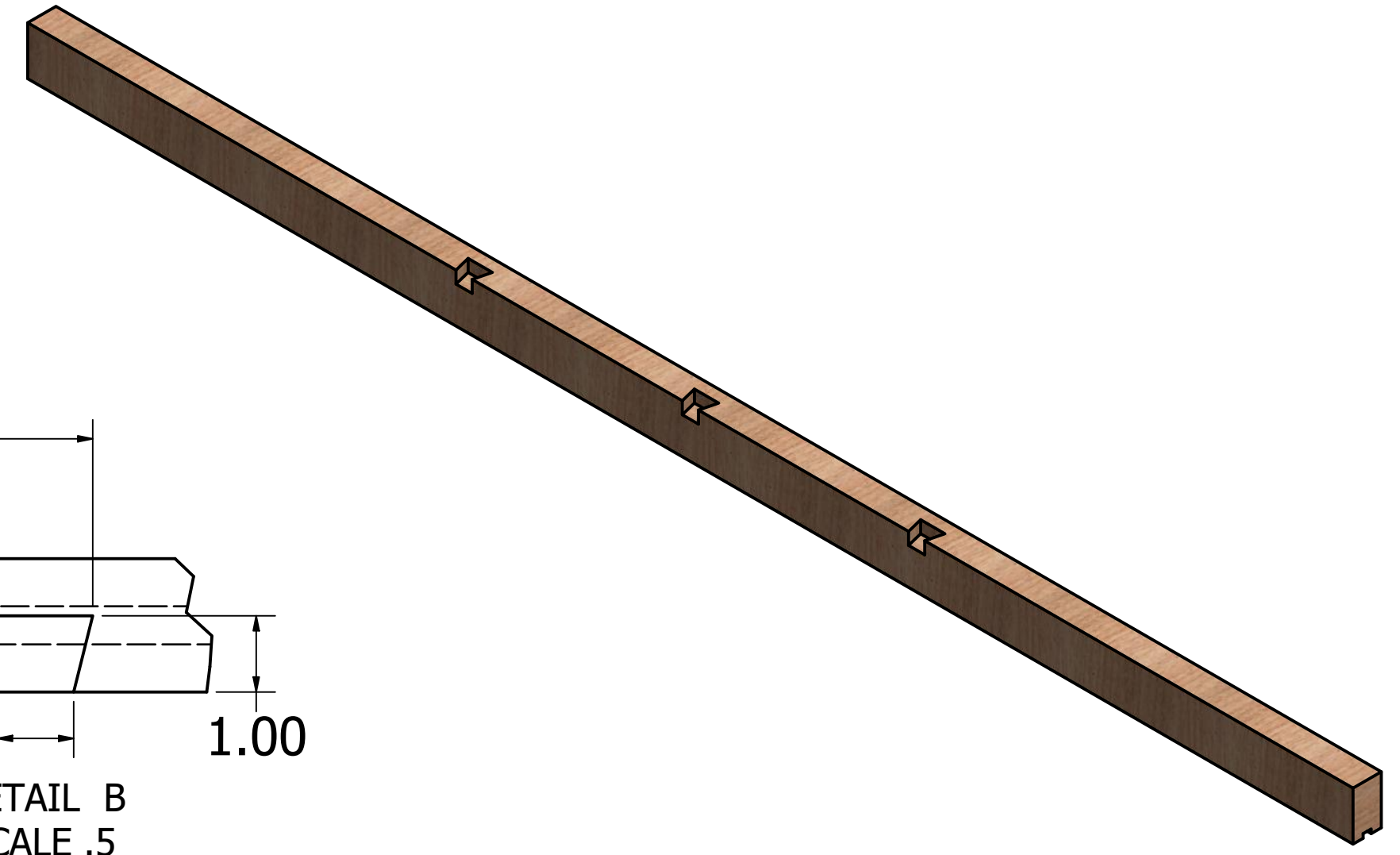
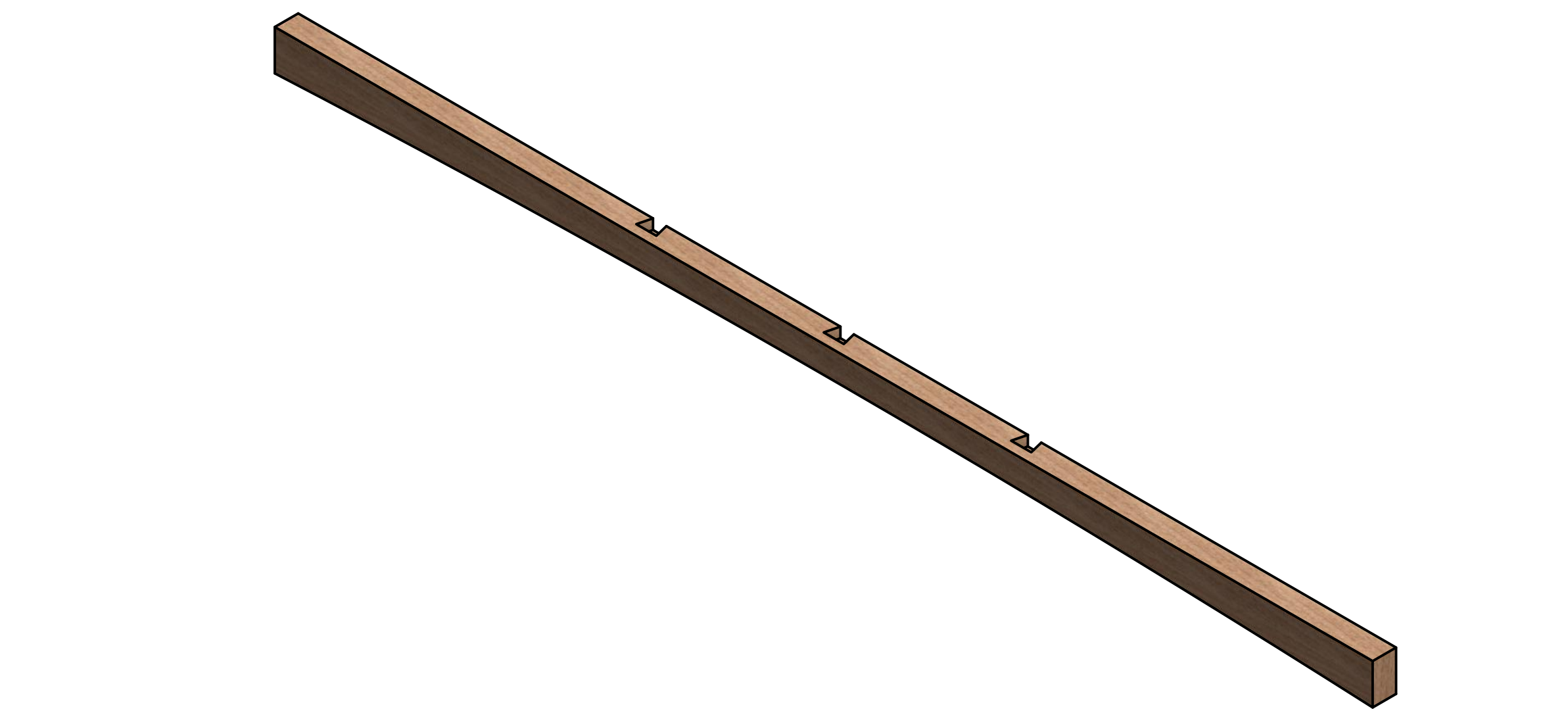
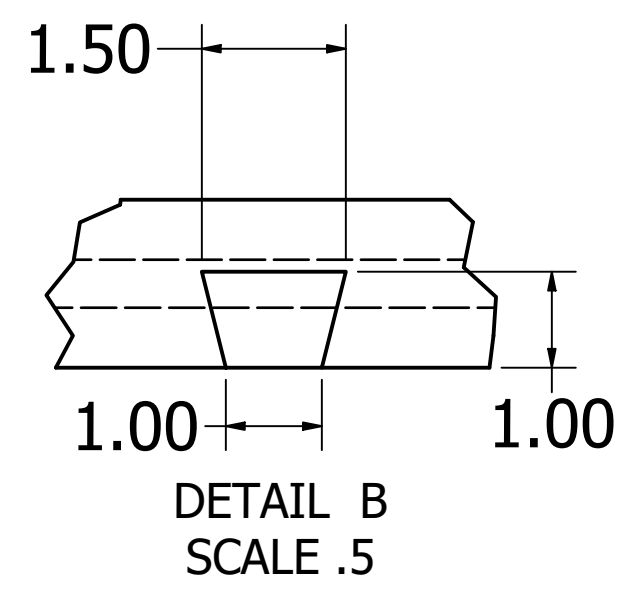


Side Lower Rail (x2)



Side Upper Rail (x2)

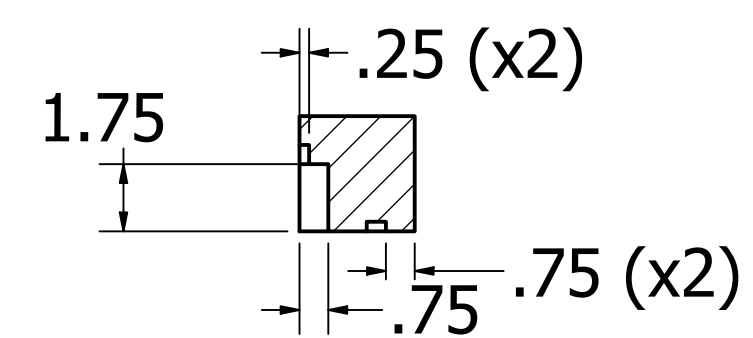
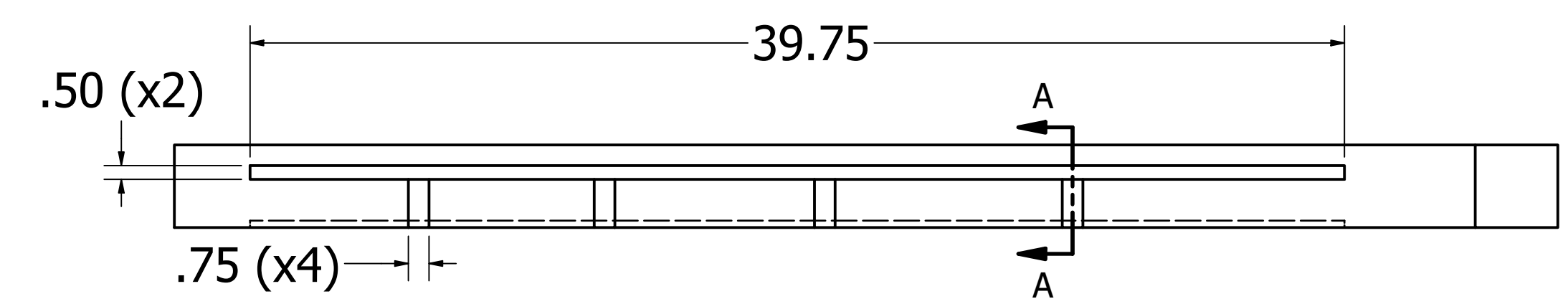
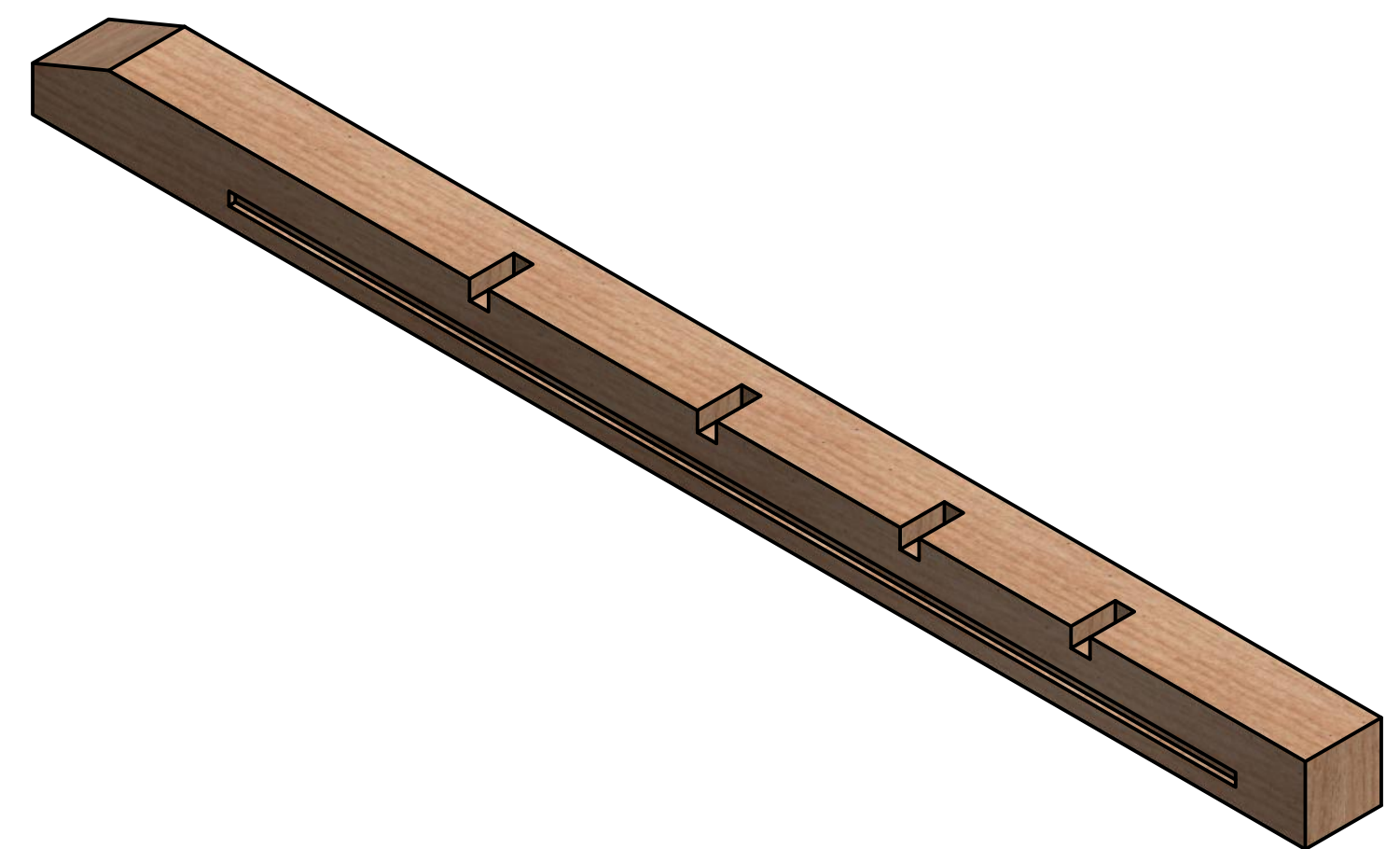
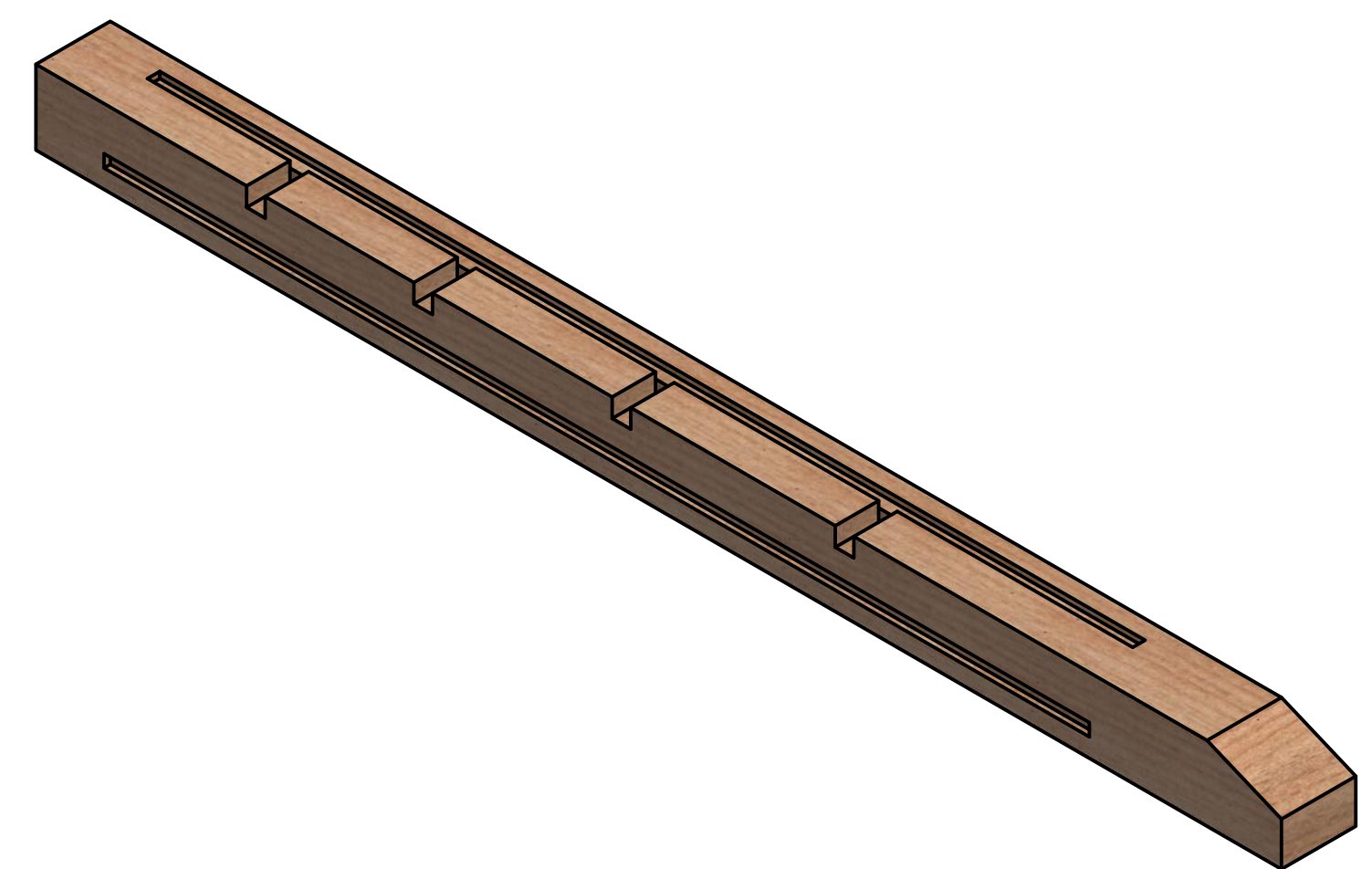
DRAWN Kevin Culver	11/27/2020	https://kevswoodworks.com Kev@kcwworks.com		
		TITLE		
		Chest of Drawers		
		SIZE D	DWG NO COD	REV
		SCALE .2	SHEET 4 OF 18	



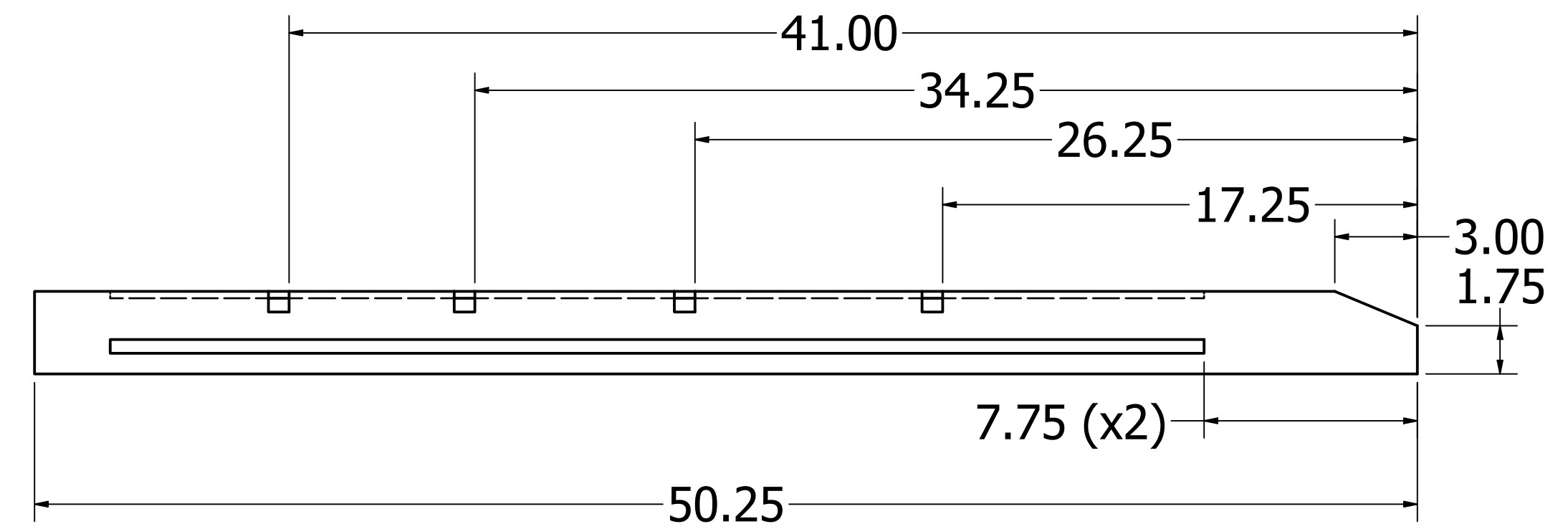
Front Top Rail

Rear Top Rail

DRAWN Kevin Culver	11/27/2020	https://kevswoodworks.com Kev@kcwworks.com		
		TITLE		
		Chest of Drawers		
		SIZE D	DWG NO COD	REV
		SCALE .15	SHEET 5 OF 18	

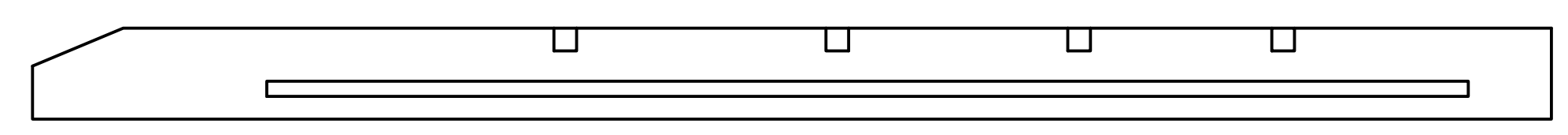
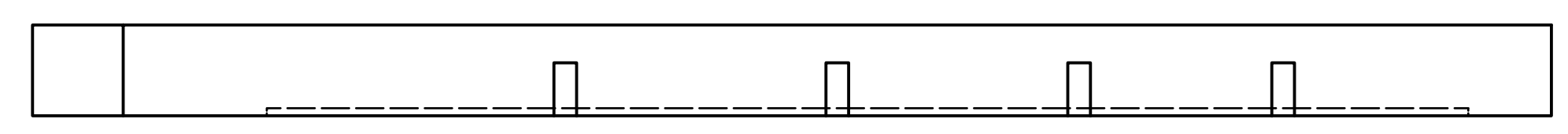


SECTION A-A
SCALE .2



Leg - Back Left

Mirror for Right Side

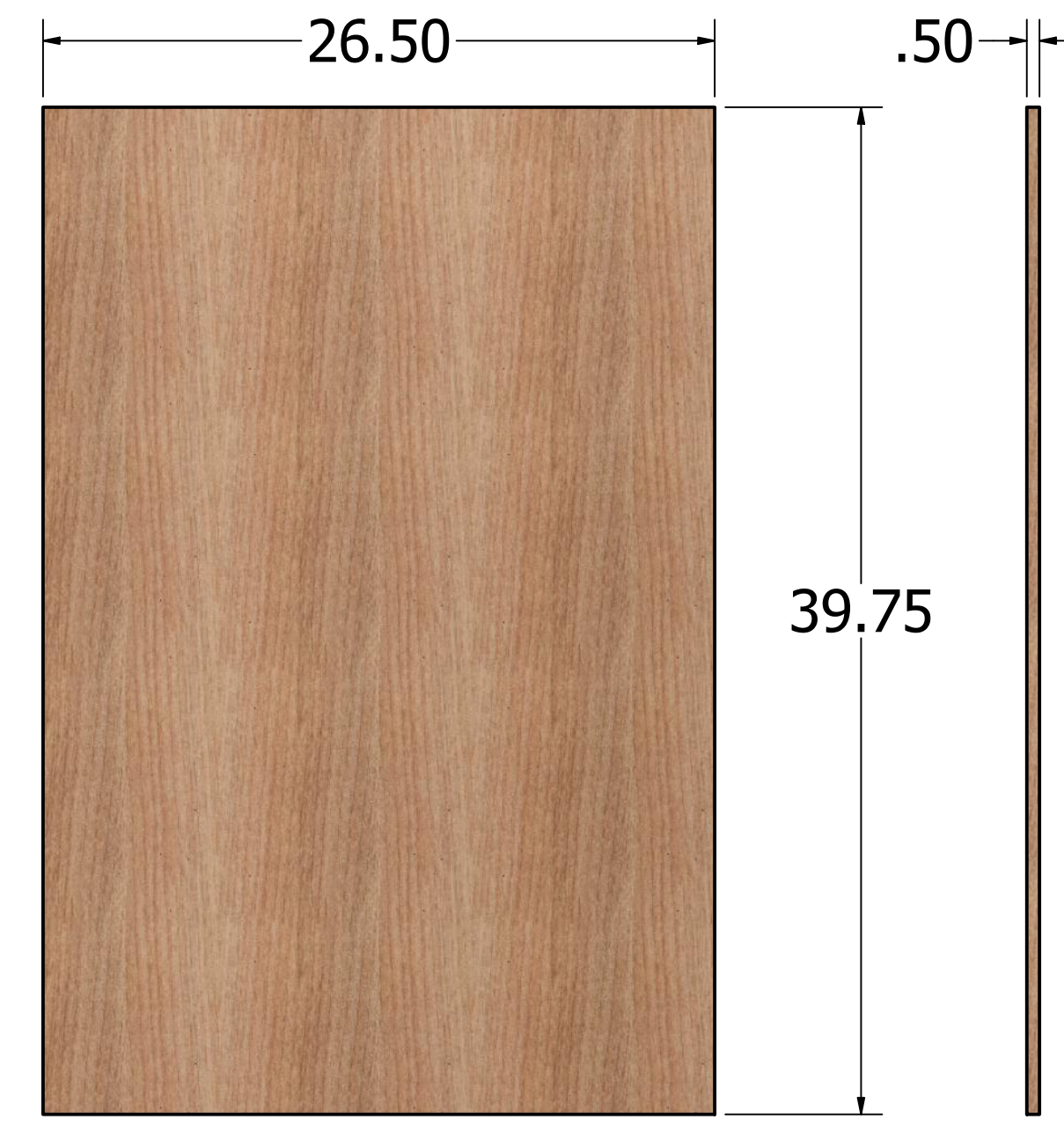


Leg - Front Left

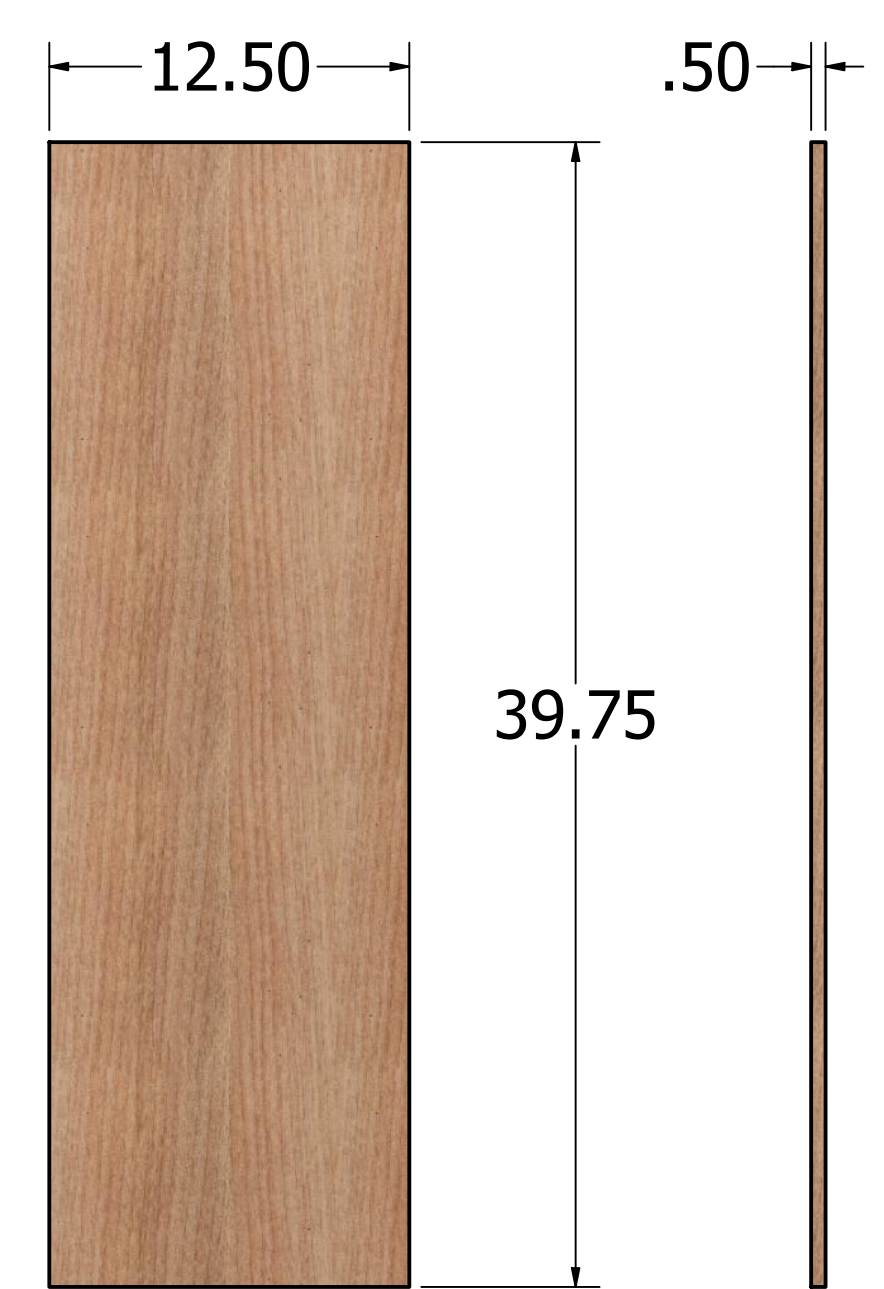
DRAWN Kevin Culver	11/27/2020	https://kevswoodworks.com Kev@kcwworks.com		
		TITLE Chest of Drawers		
		SIZE D	DWG NO COD	REV
		SCALE .2	SHEET 6 OF 18	



Side Panel (x2)

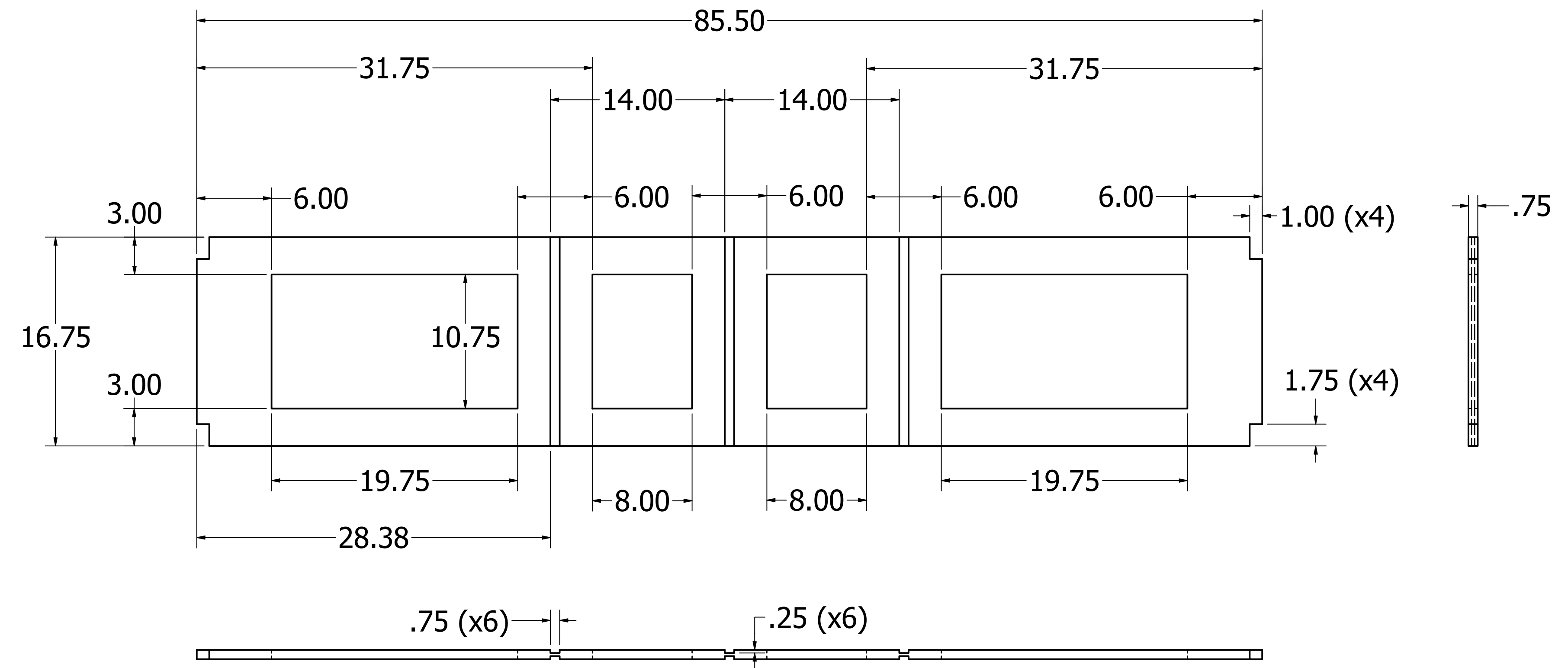
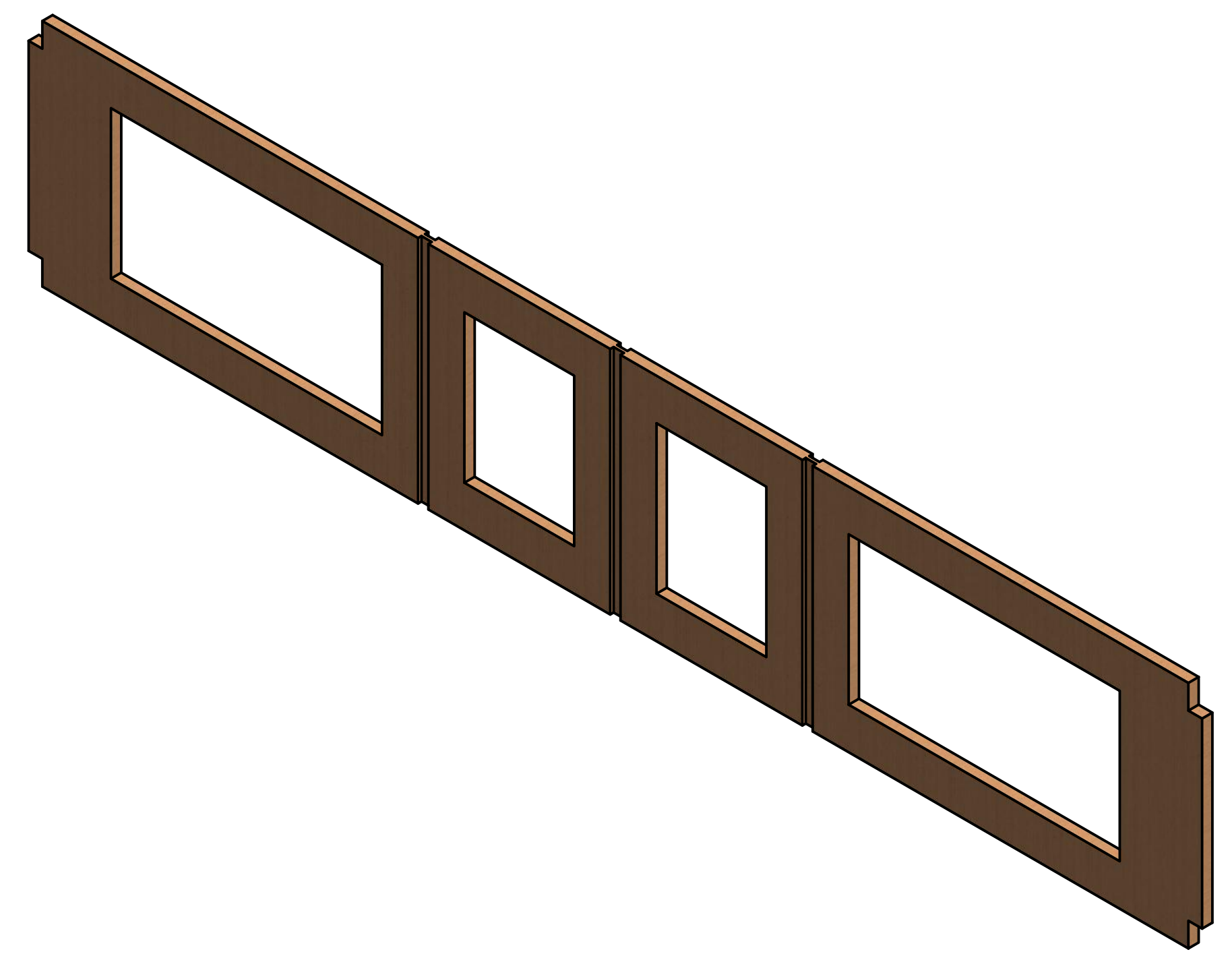


Rear Panel #1 (x2)



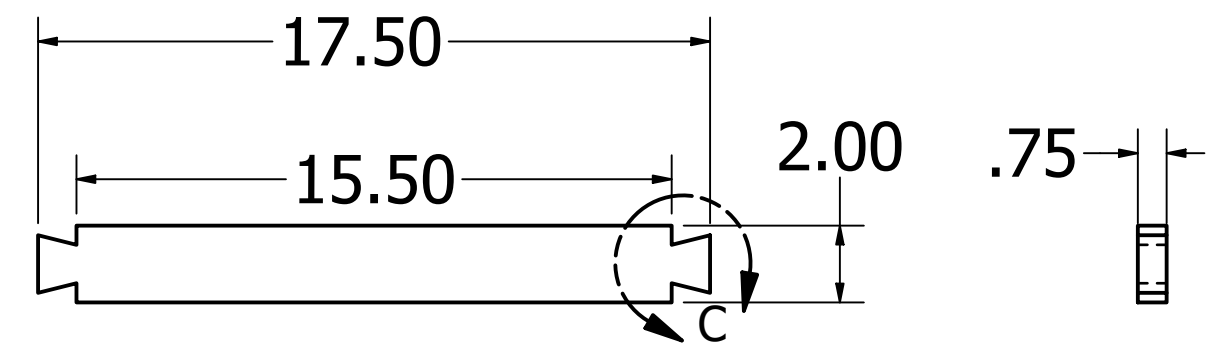
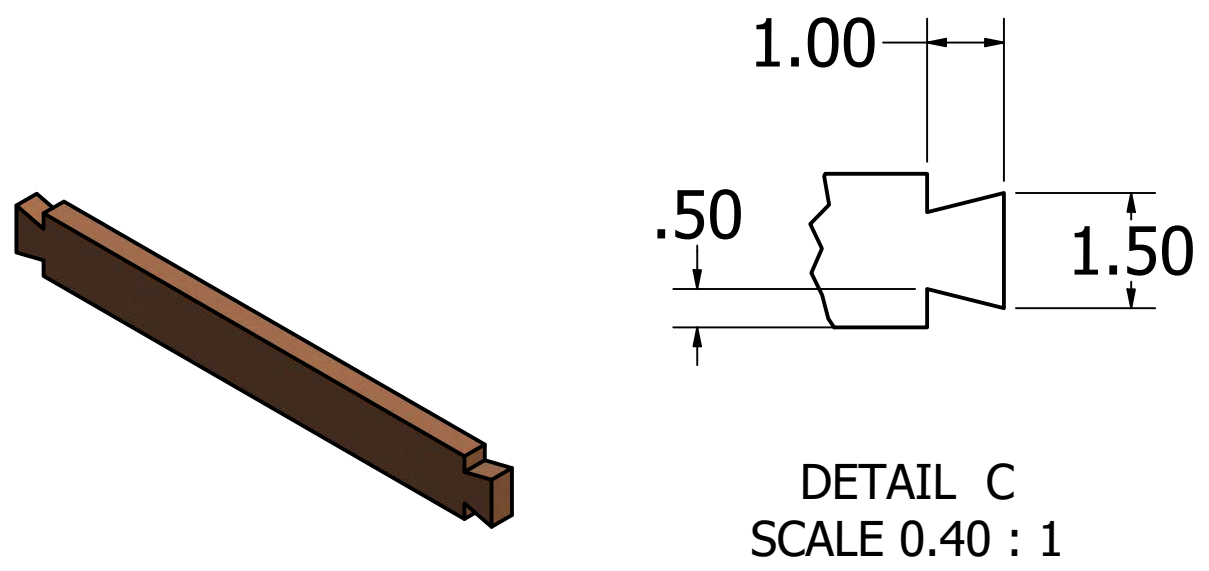
Rear Panel #2 (x2)

DRAWN Kevin Culver	11/27/2020	https://kevswoodworks.com Kev@kcwworks.com		
		TITLE		
		Chest of Drawers		
		SIZE D	DWG NO COD	REV
		SCALE .15	SHEET 7 OF 18	

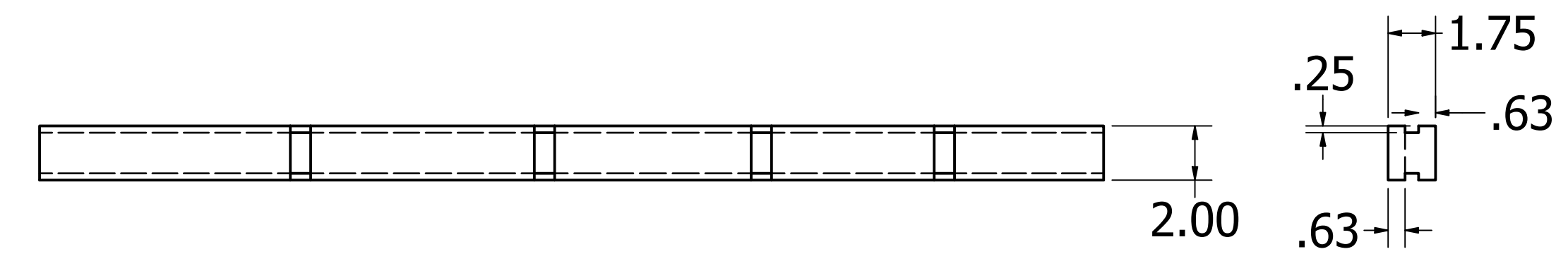
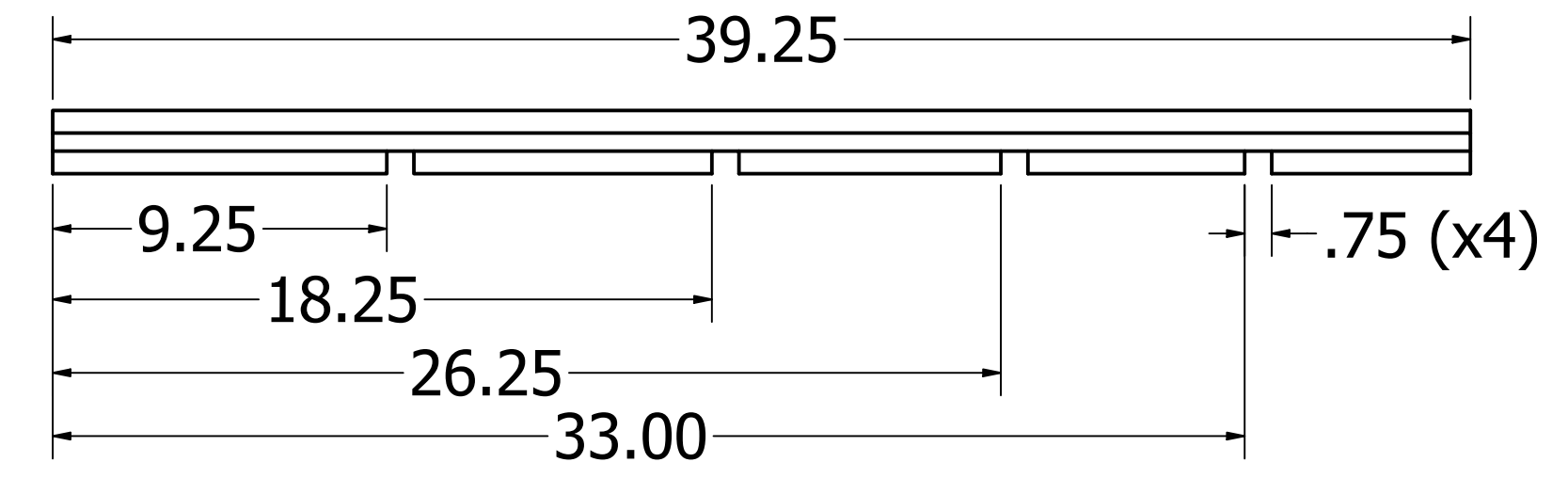
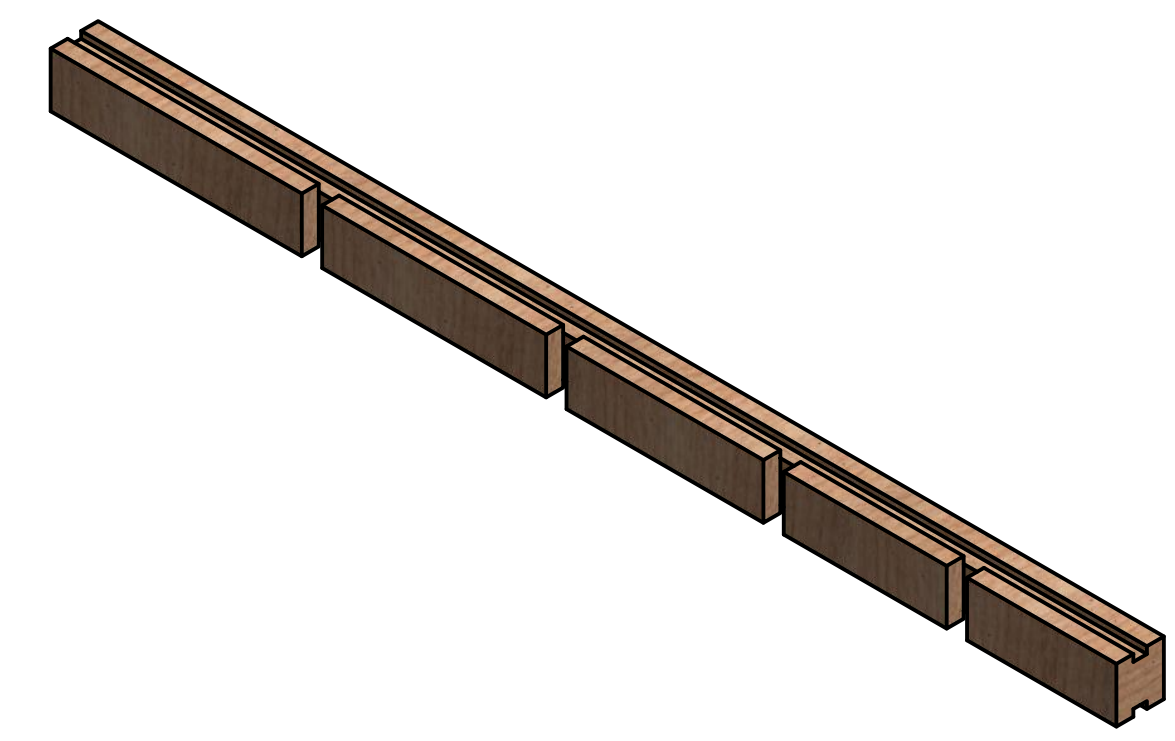


Web Frame (x4)

DRAWN Kevin Culver	11/27/2020	https://kevswoodworks.com Kev@kcwworks.com		
		TITLE Chest of Drawers		
		SIZE D	DWG NO COD	REV
		SCALE .15	SHEET 8 OF 18	



Top Support (x3)



Back Support (x3)

DRAWN Kevin Culver	11/27/2020	https://kevswoodworks.com Kev@kcwworks.com		
		TITLE Chest of Drawers		
		SIZE D	DWG NO COD	REV
		SCALE .2	SHEET 9 OF 18	



8 | 7 | 6 | 5 | 4 | 3 | 2 | 1

D

D

C

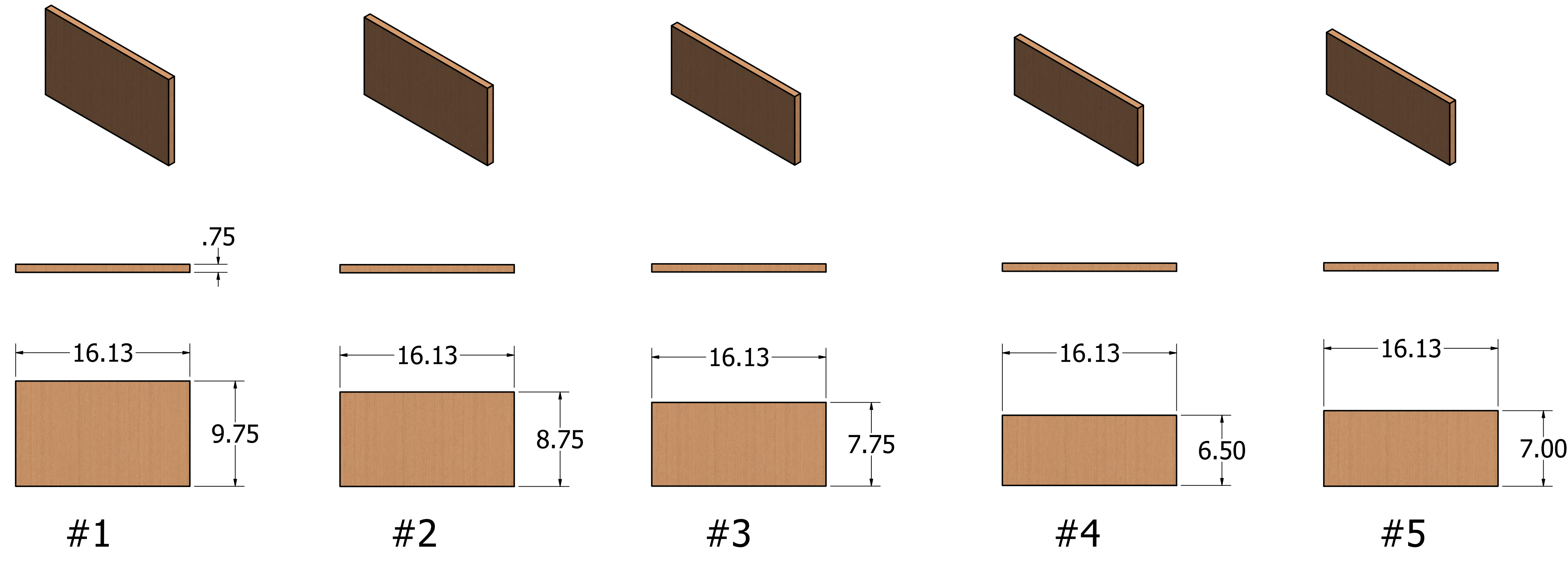
C

B

B

A

A



Shelf Dividers - Trim Not Shown (3 of Each)

DRAWN Kevin Culver	11/27/2020	https://kevswoodworks.com Kev@kcwworks.com		
		TITLE		
		Chest of Drawers		
		SIZE D	DWG NO COD	REV
		SCALE .15	SHEET 10 OF 18	

8 | 7 | 6 | 5 | 4 | 3 | 2 | 1



3.00



19.25

50.25

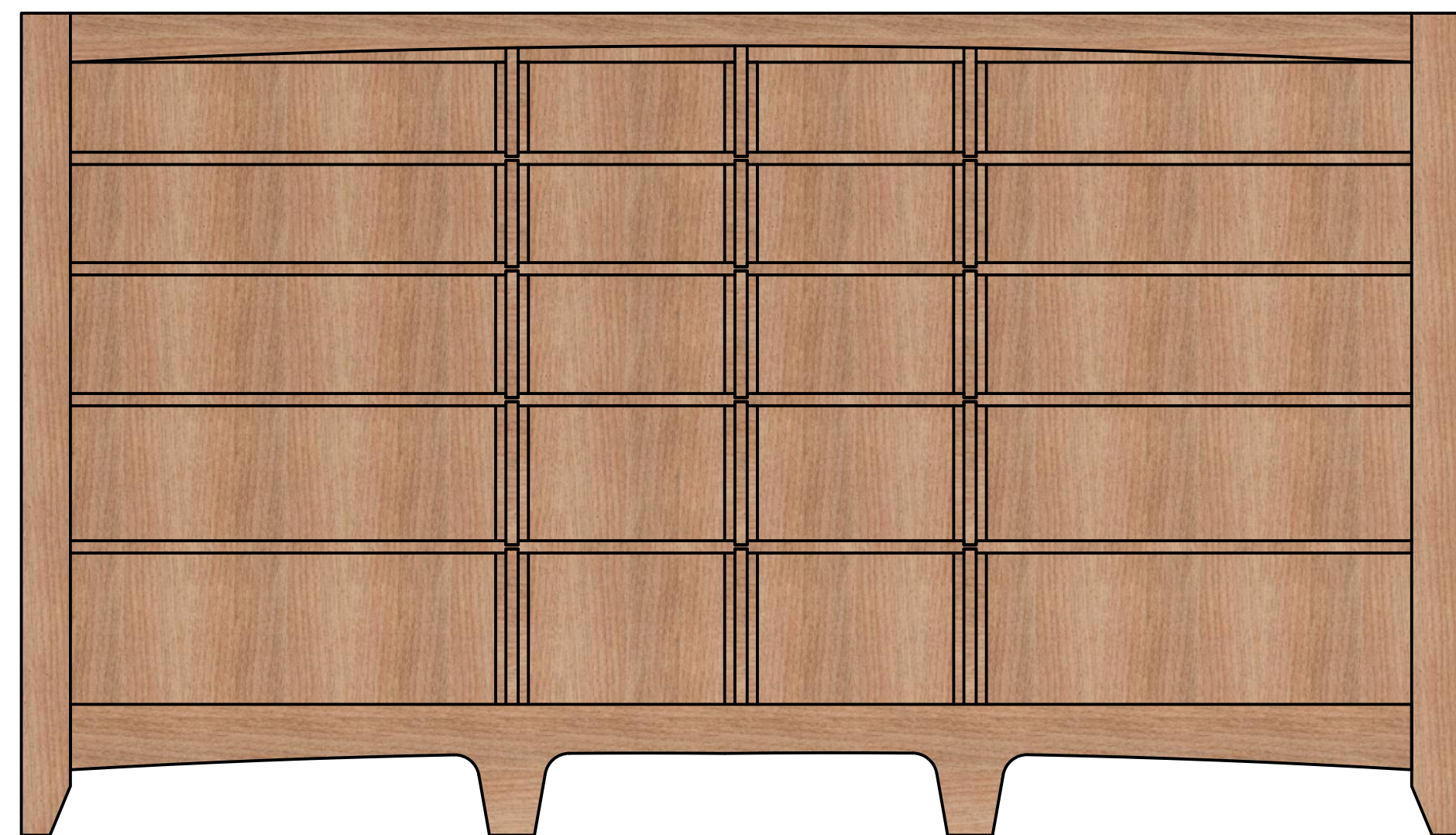
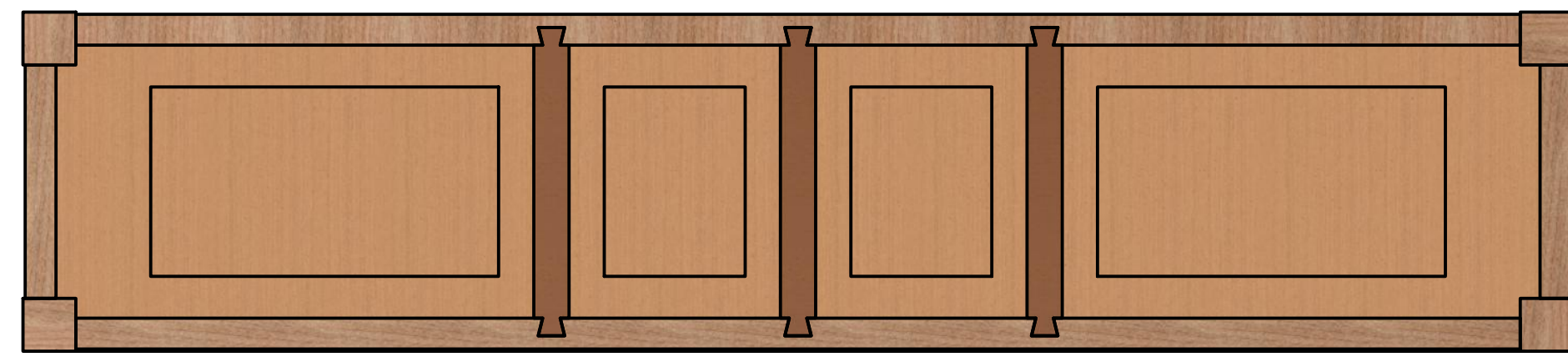
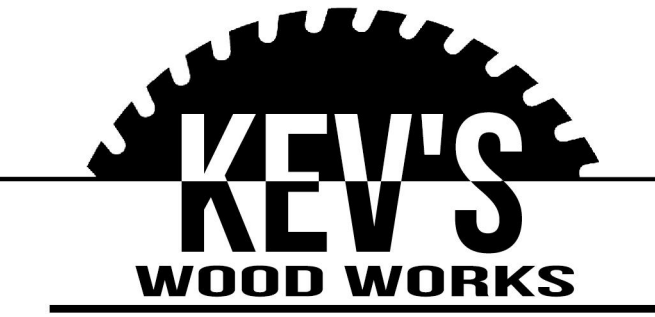
Left Leg Assy (Mirror for Right)

DRAWN Kevin Culver	11/27/2020	https://kevswoodworks.com Kev@kcwworks.com		
		TITLE		
		Chest of Drawers		
		SIZE D	DWG NO COD	REV
		SCALE .25	SHEET 11 OF 18	



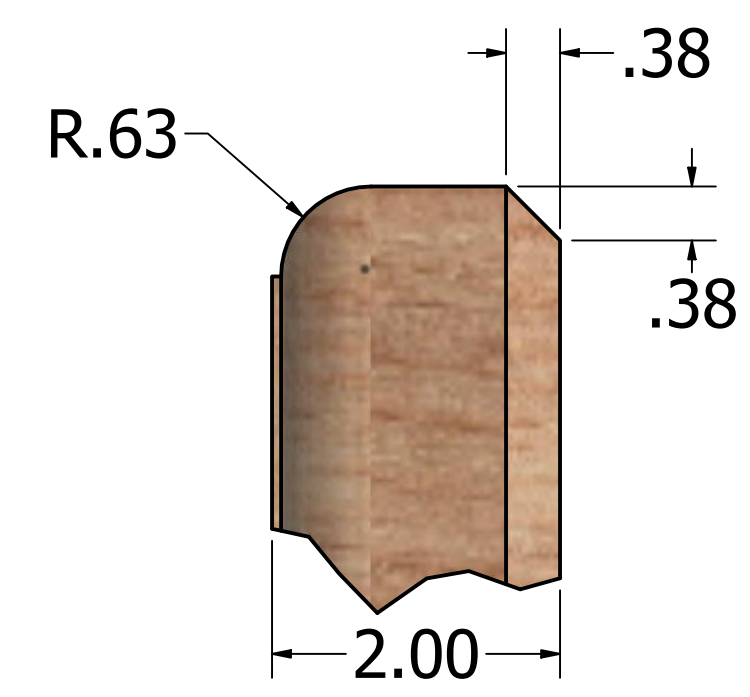
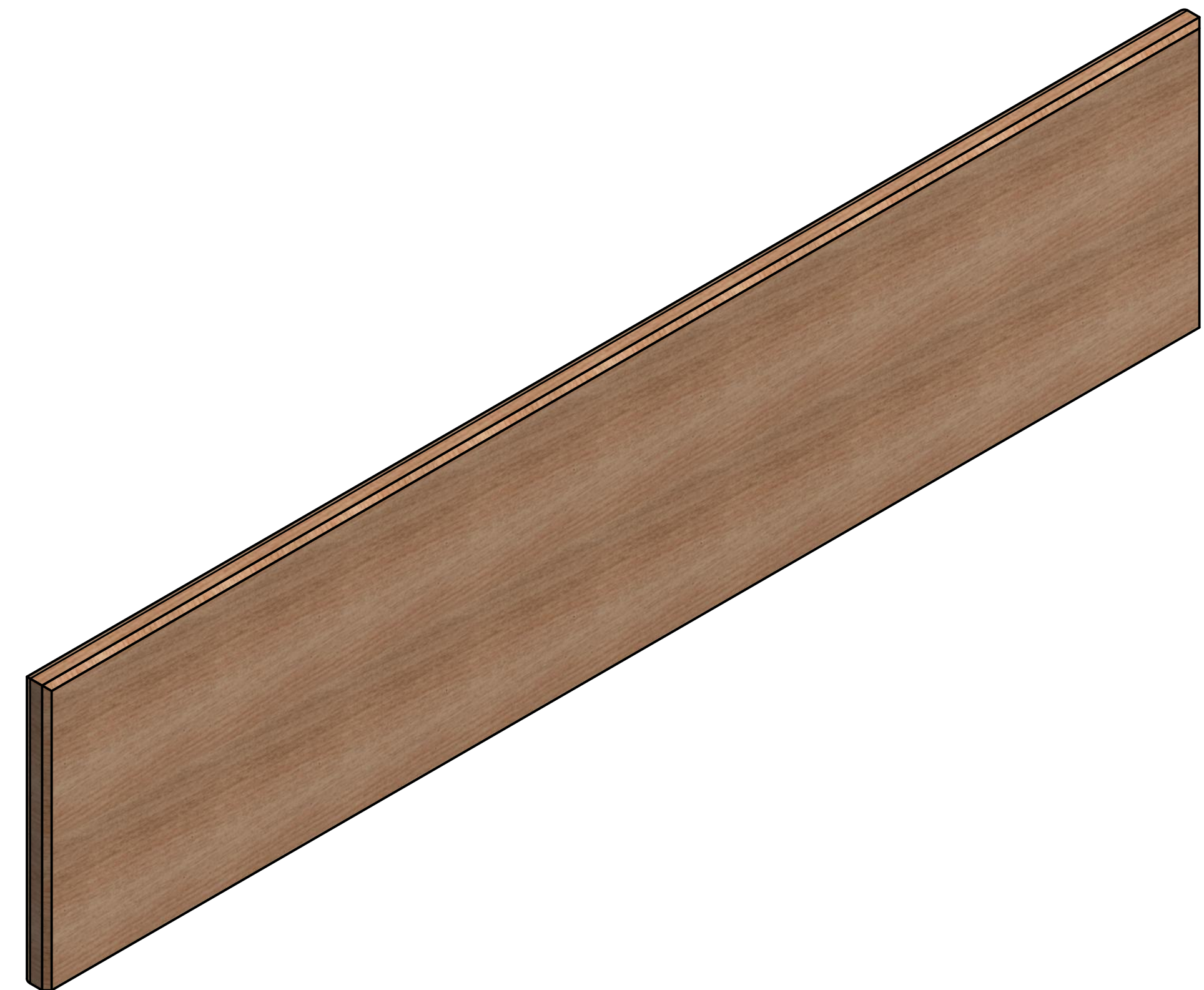
Back Assy

DRAWN Kevin Culver	11/27/2020	https://kevswoodworks.com Kev@kcwworks.com		
		TITLE		
		Chest of Drawers		
		SIZE D	DWG NO COD	REV
		SCALE .2	SHEET 12 OF 18	

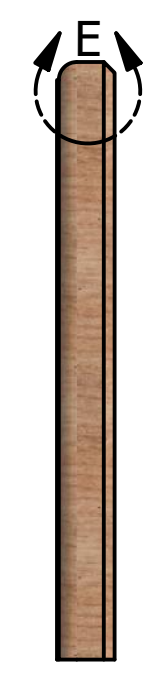
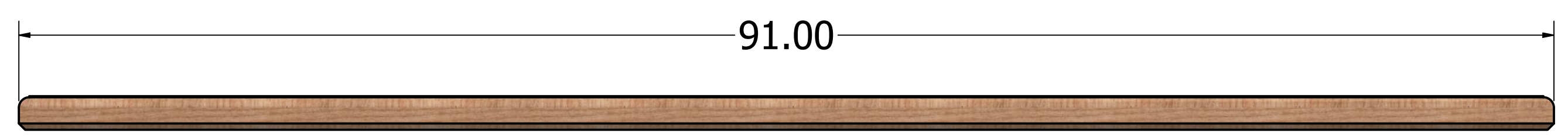


Assy without Top and Drawers

DRAWN Kevin Culver	11/27/2020	https://kevswoodworks.com Kev@kcwworks.com		
		TITLE		
		Chest of Drawers		
		SIZE D	DWG NO COD	REV
		SCALE 0.11 : 1		SHEET 13 OF 18

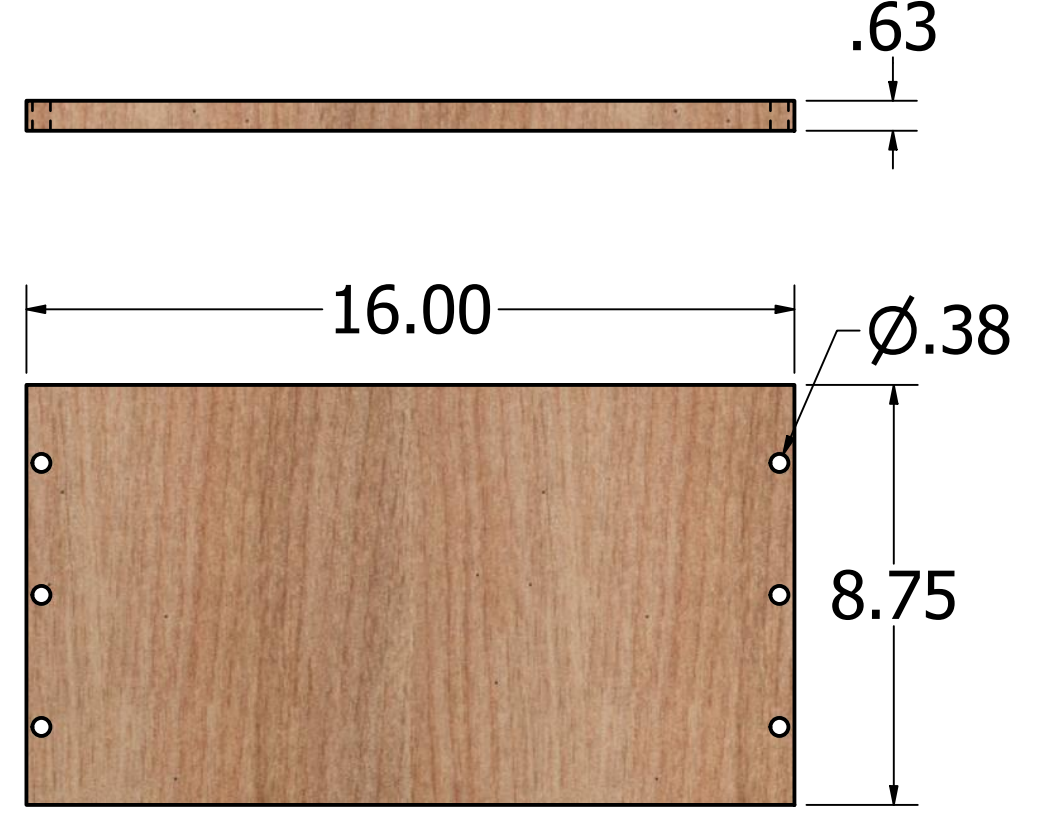
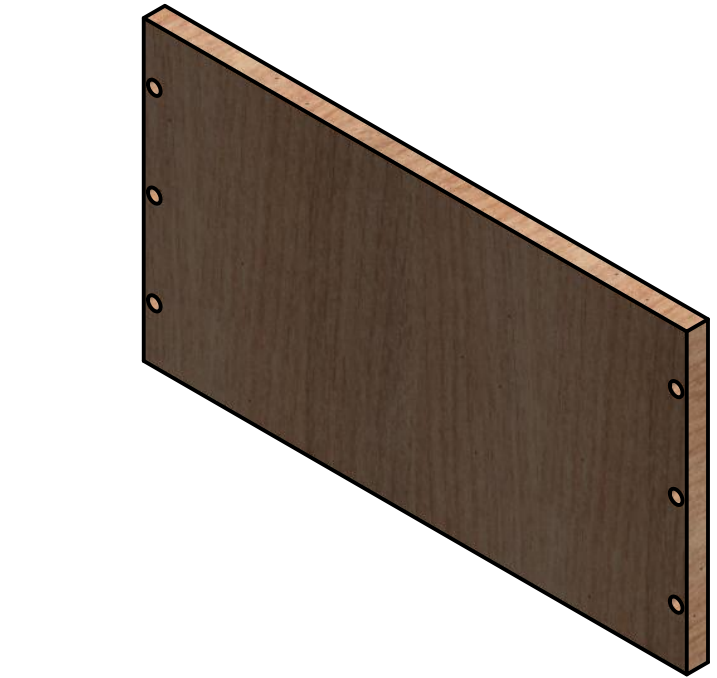


DETAIL E
SCALE .75

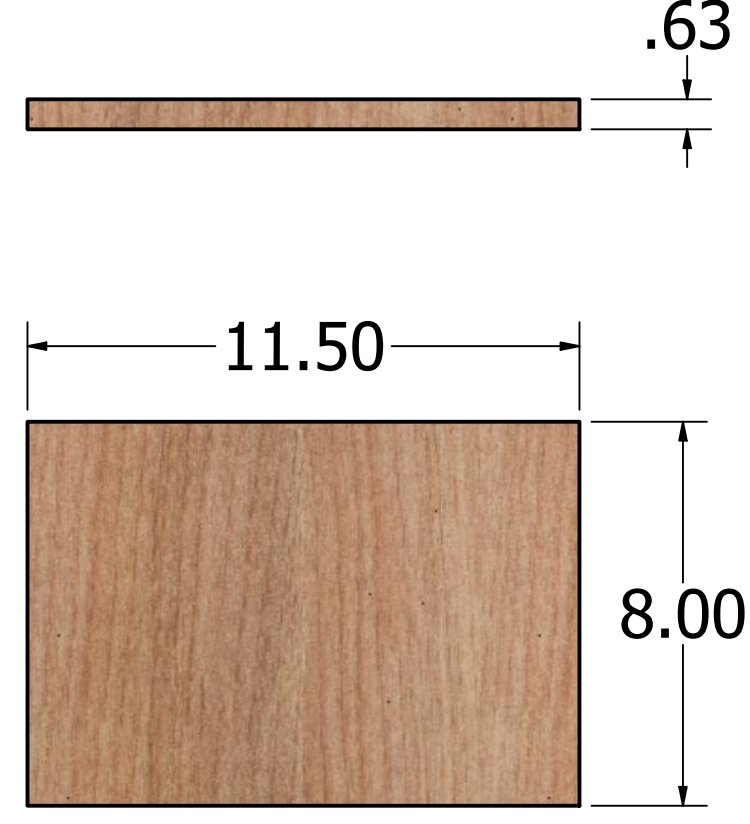
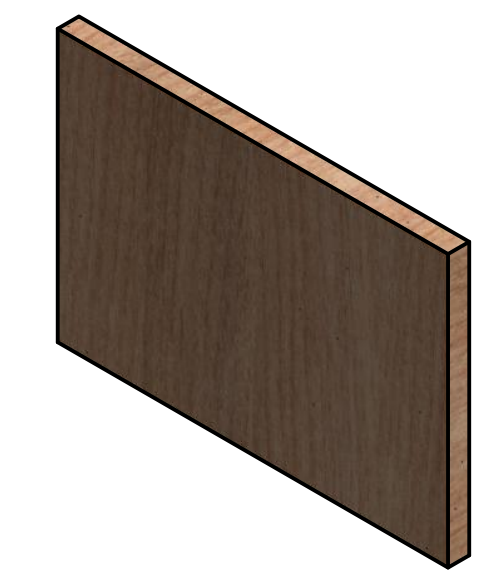


Top

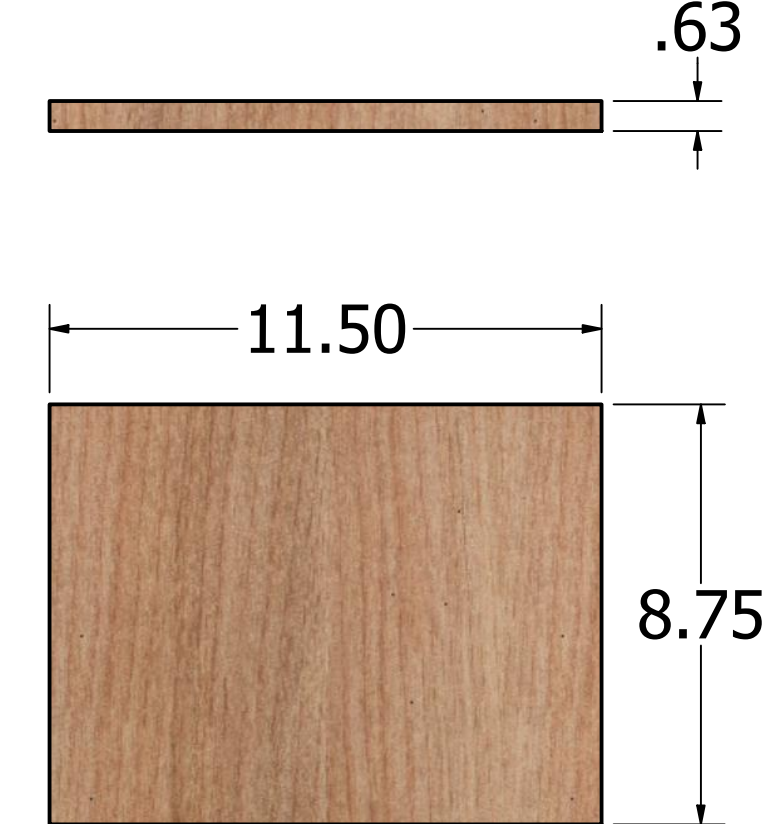
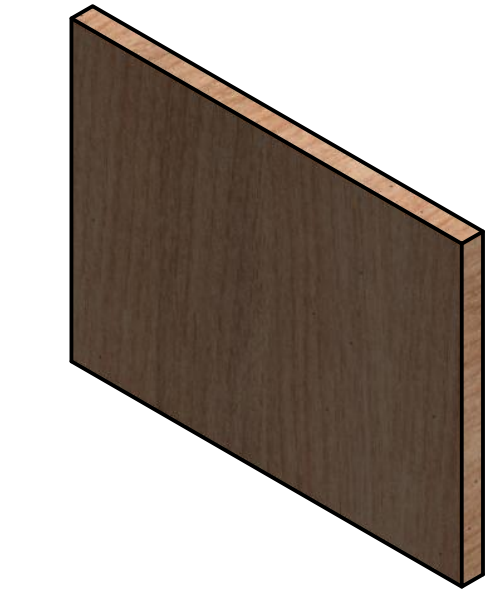
DRAWN Kevin Culver	11/27/2020	https://kevswoodworks.com Kev@kcwworks.com		
		TITLE Chest of Drawers		
		SIZE D	DWG NO COD	REV
		SCALE .15	SHEET 14 OF 18	



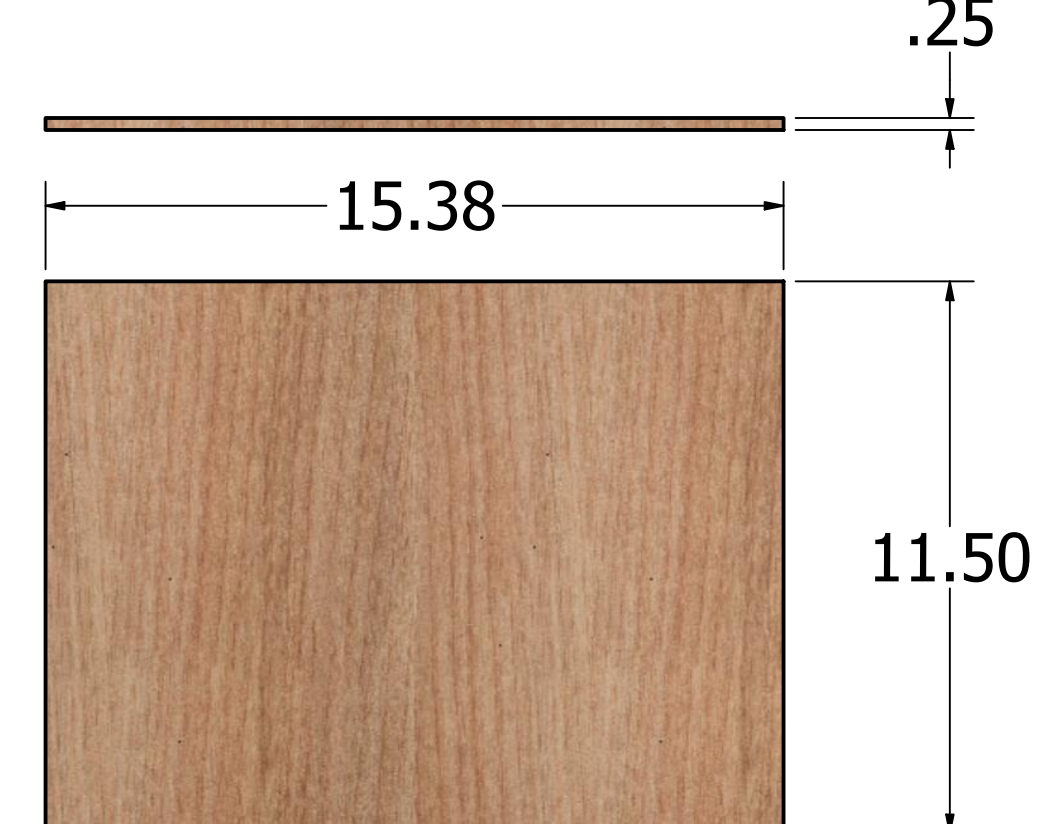
Drawer Side



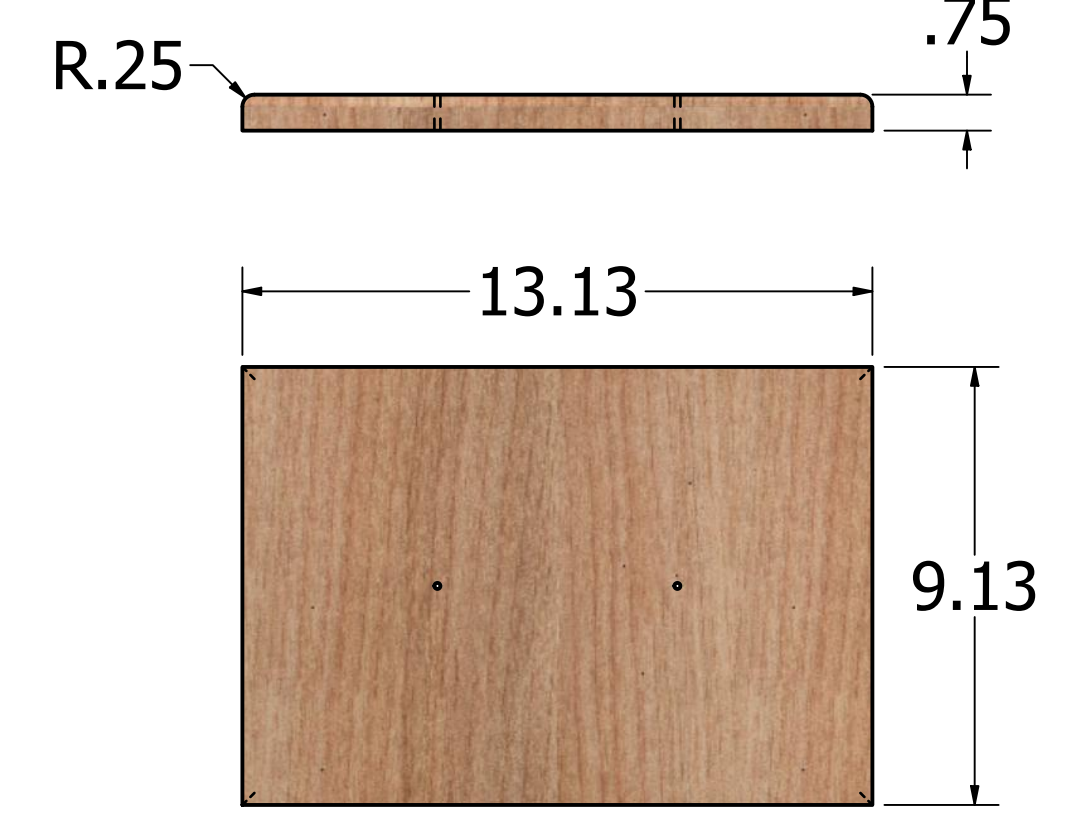
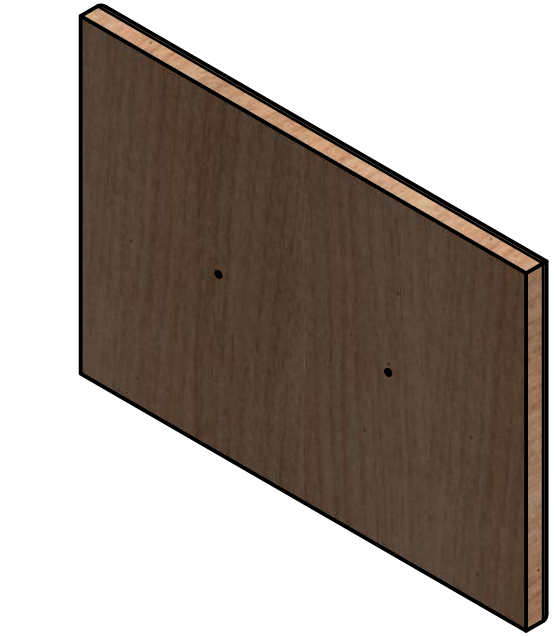
Drawer Back



Drawer Front



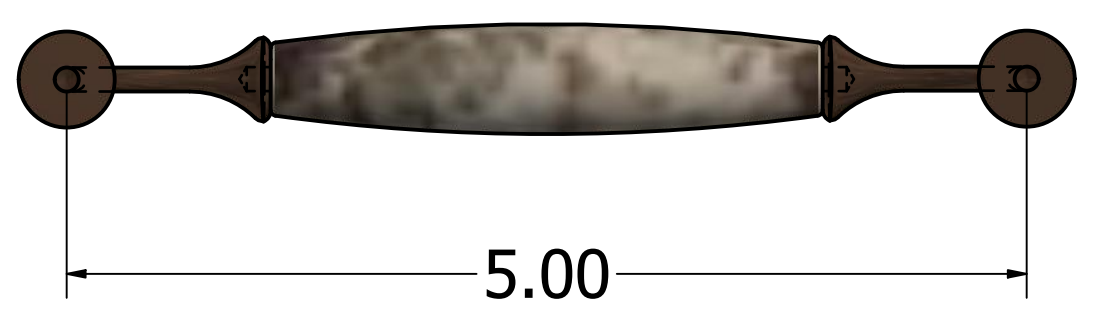
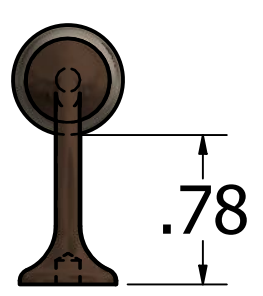
Drawer Bottom



Drawer Face

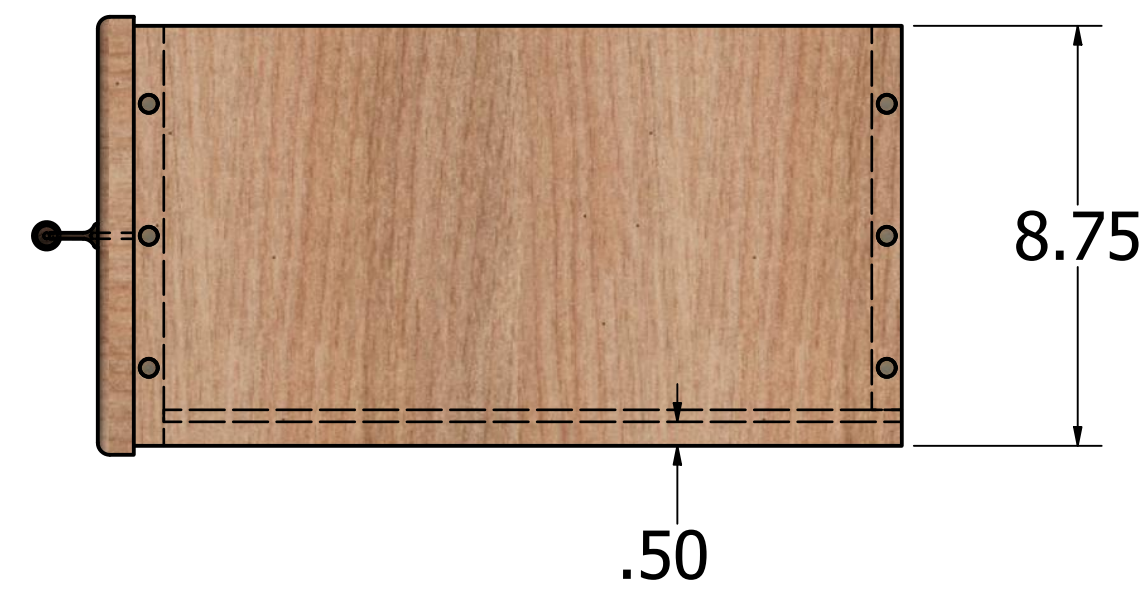
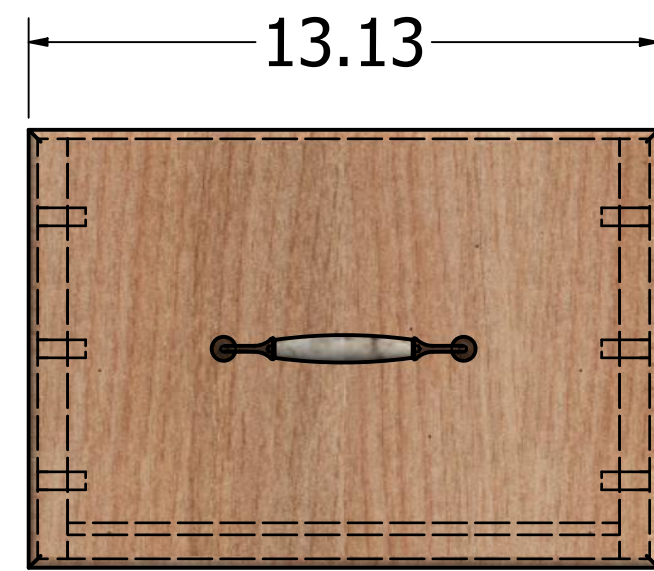
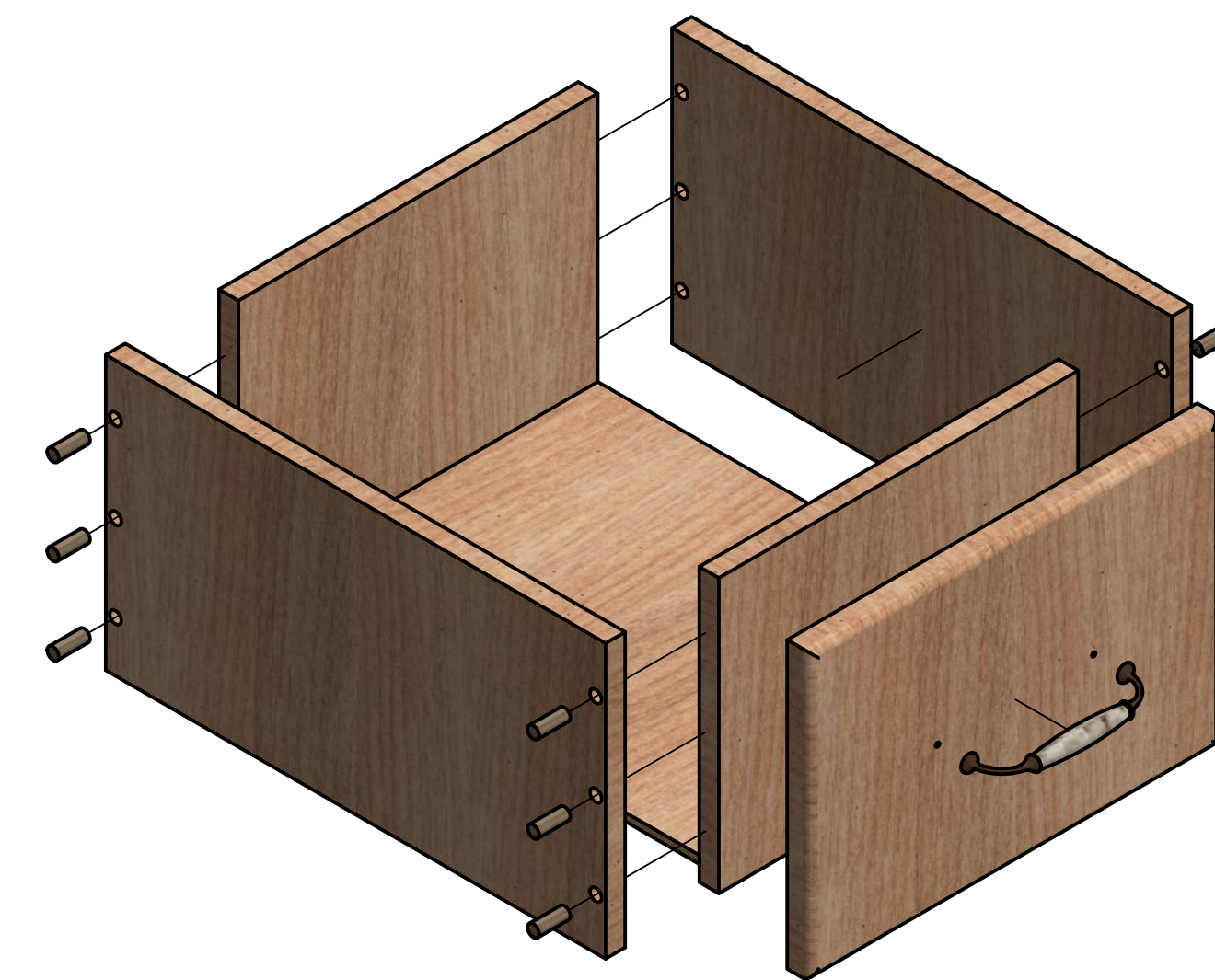
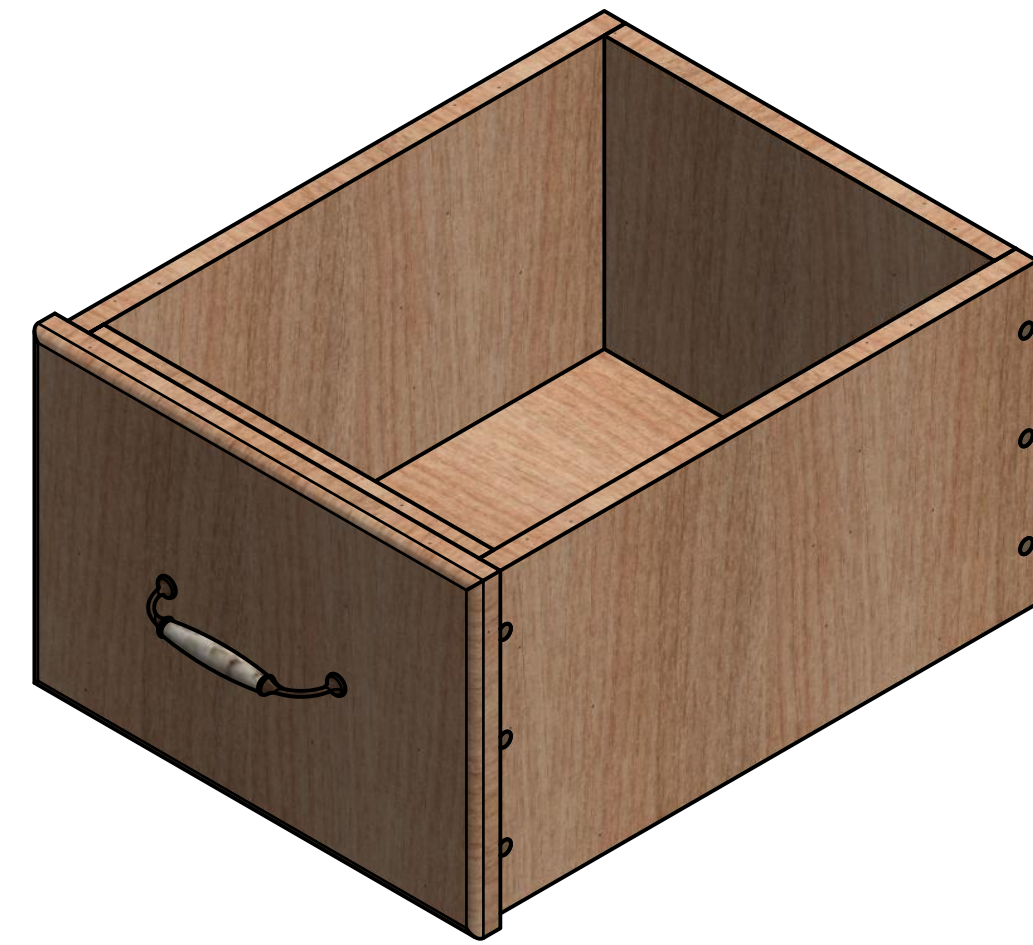
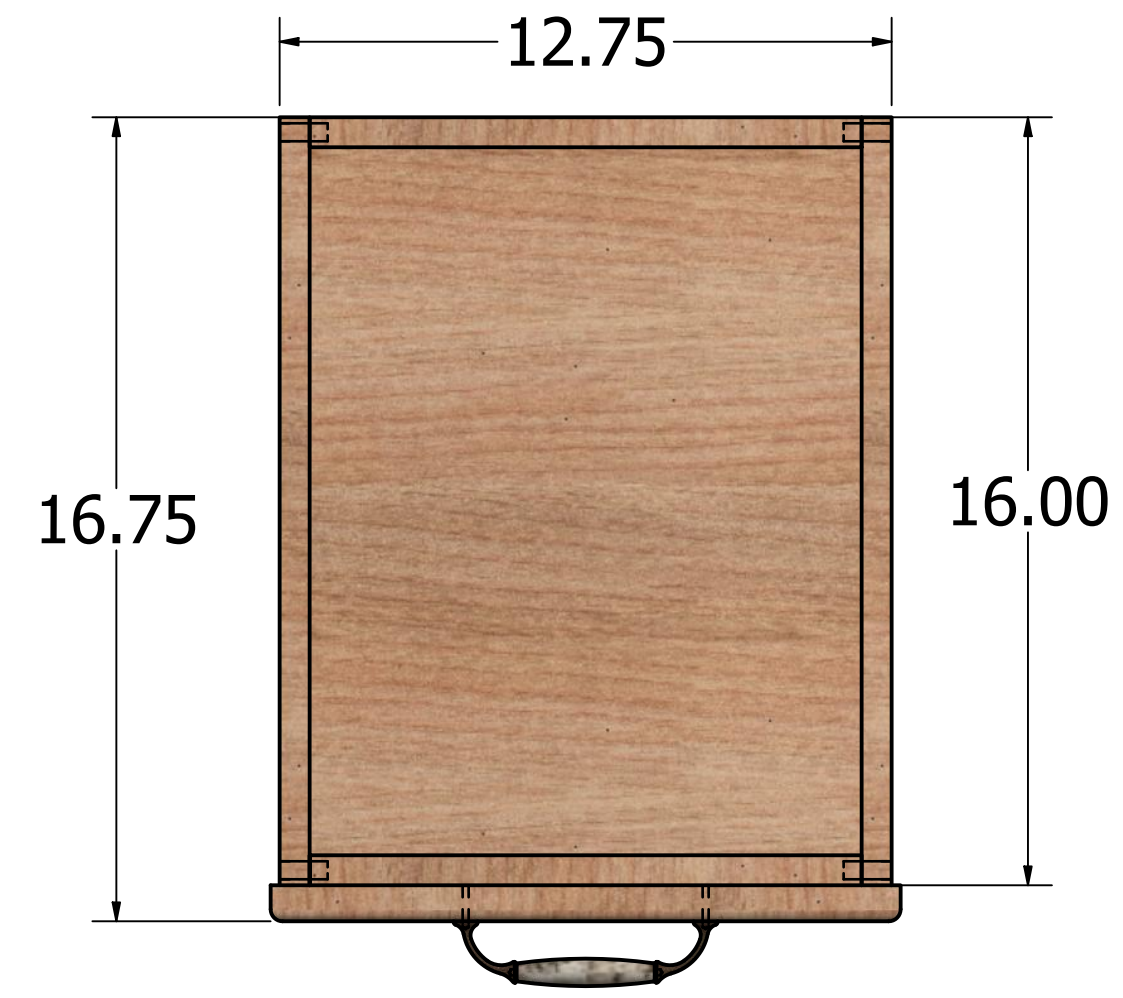
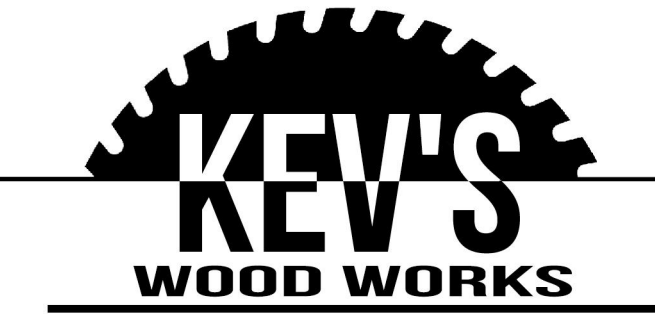
Drawer Parts - Lower Center Drawer Shown

DRAWN Kevin Culver	11/27/2020	https://kevswoodworks.com Kev@kcwworks.com		
		TITLE		
		Chest of Drawers		
		SIZE D	DWG NO COD	REV
		SCALE .25	SHEET 15 OF 18	



Handle (x20)

DRAWN Kevin Culver	11/27/2020	https://kevswoodworks.com Kev@kcwworks.com		
		TITLE Chest of Drawers		
		SIZE D	DWG NO COD	REV
		SCALE 1 : 1		SHEET 16 OF 18



Drawer Assy (Lower Center)

DRAWN Kevin Culver	11/27/2020	https://kevswoodworks.com Kev@kcwworks.com		
		TITLE Chest of Drawers		
		SIZE D	DWG NO COD	REV
		SCALE .25	SHEET 17 OF 18	



Finished Assembly

DRAWN Kevin Culver	11/27/2020	https://kevswoodworks.com Kev@kcvworks.com		
		TITLE		
		Chest of Drawers		
		SIZE D	DWG NO COD	REV
		SCALE .2	SHEET 18 OF 18	