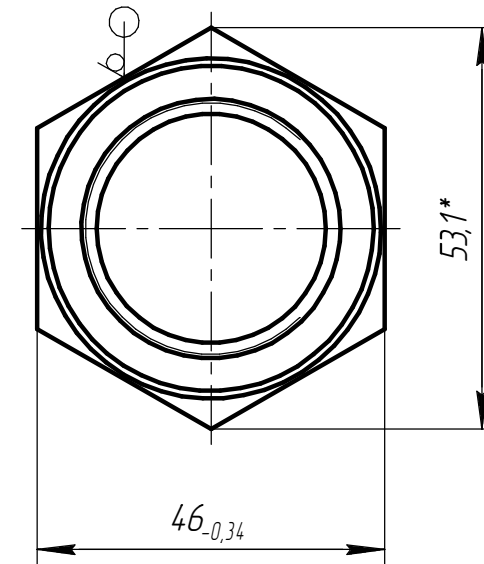
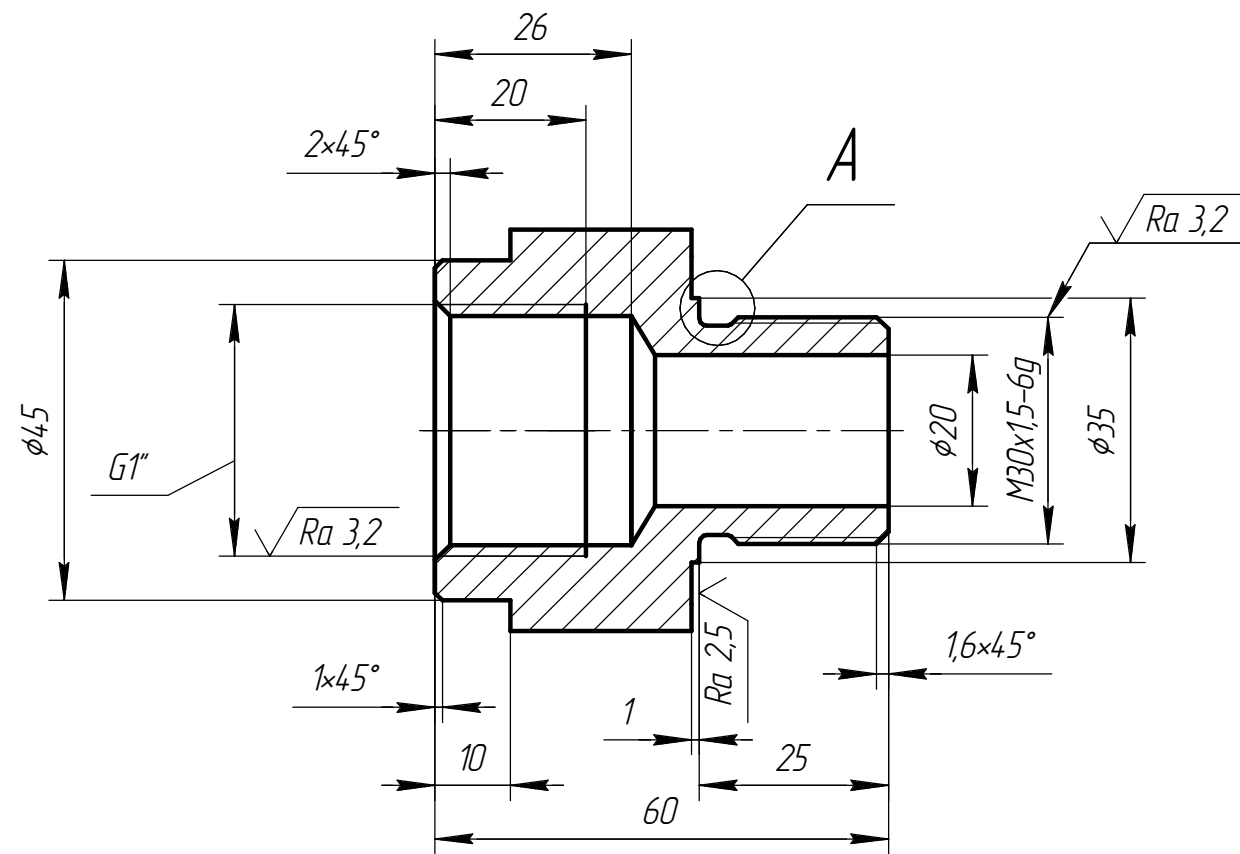
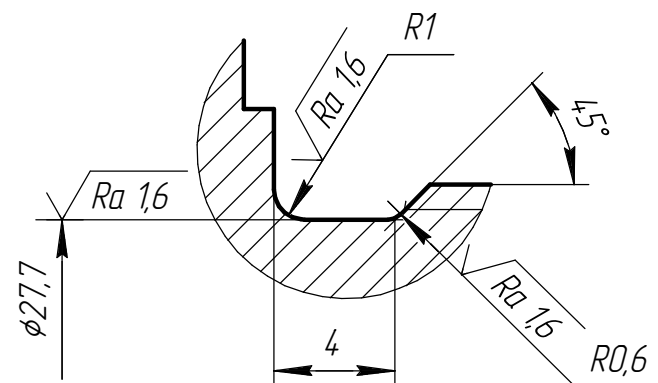


$\sqrt{Ra\ 6,3\ (\checkmark)}$



A (4:1)



$$H12, h12, \pm \frac{IT12}{2}$$