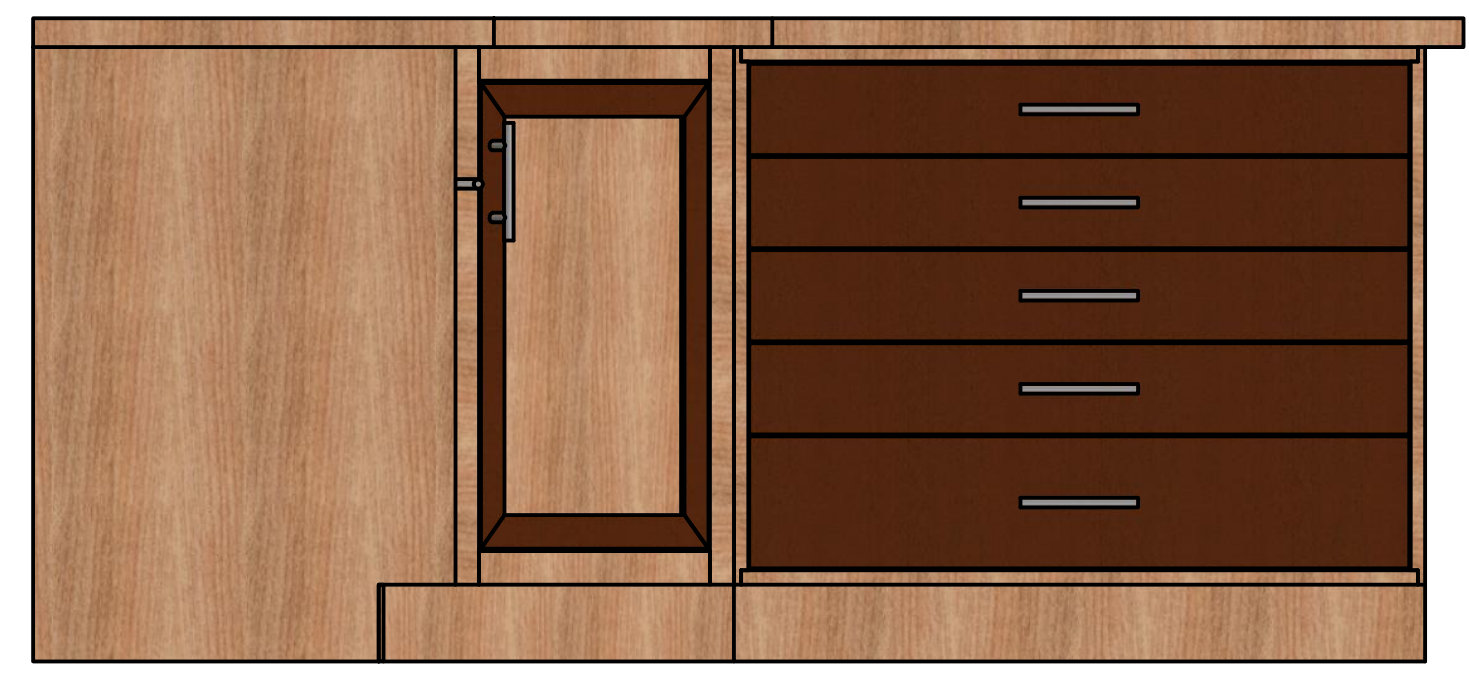
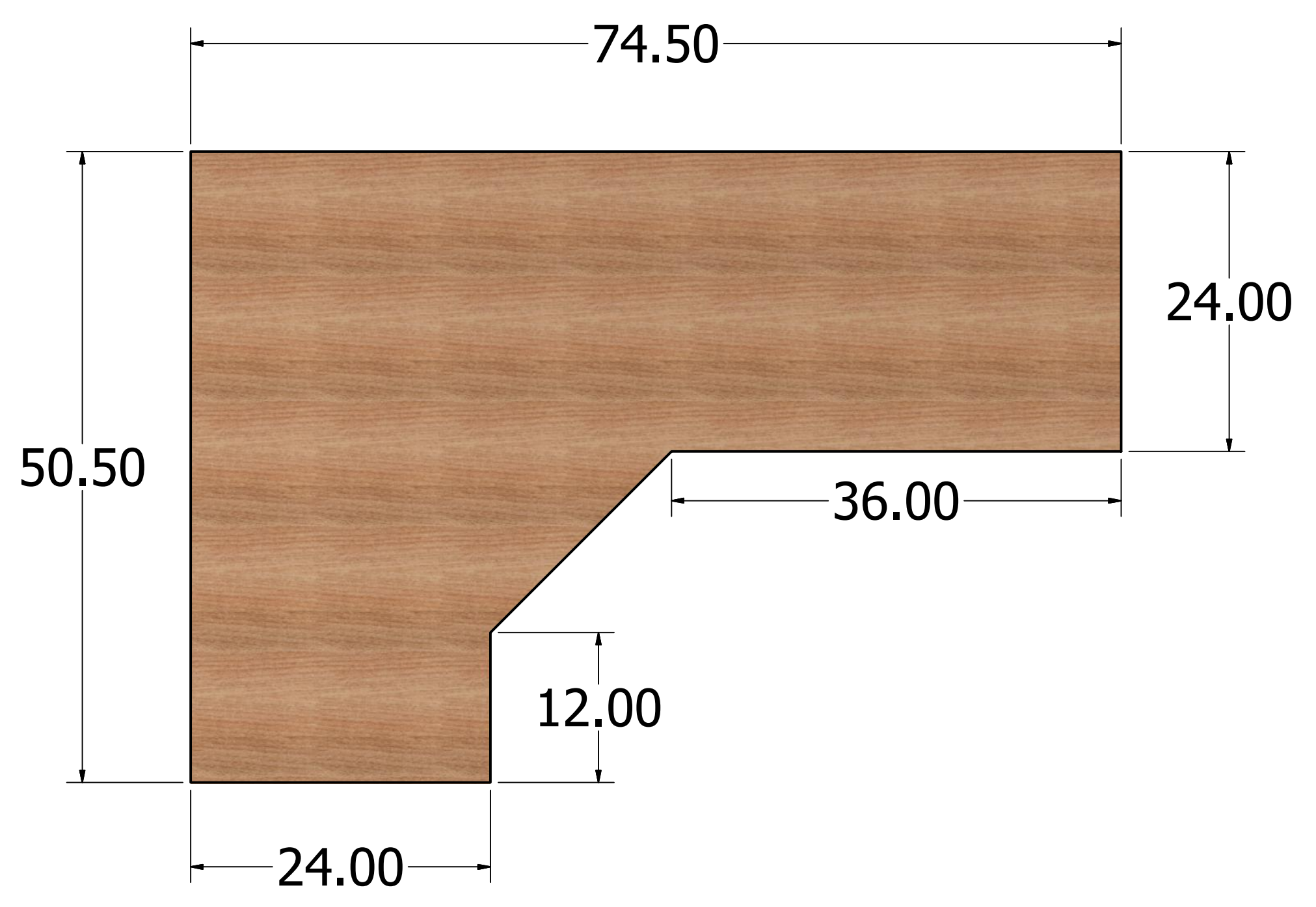
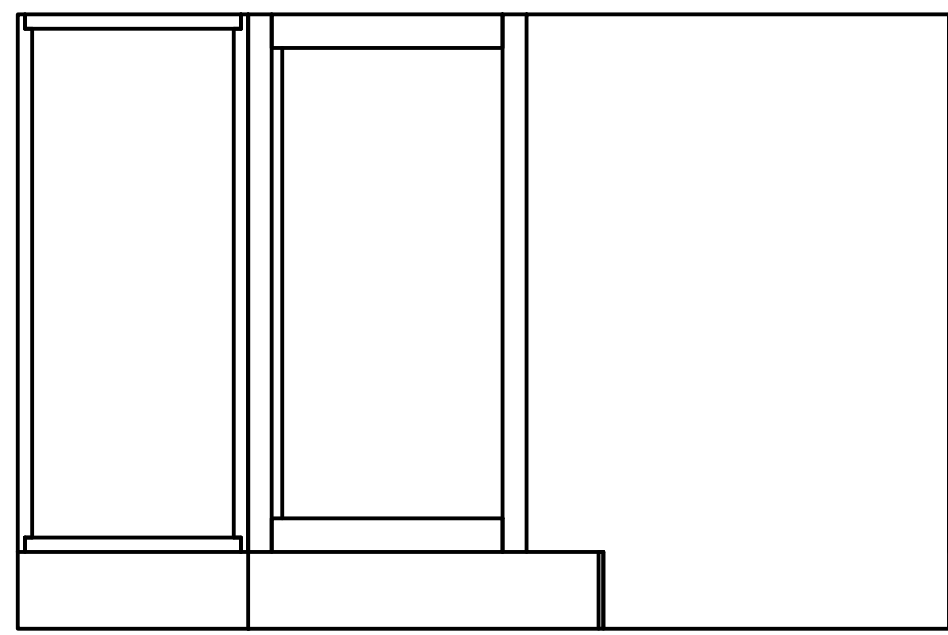
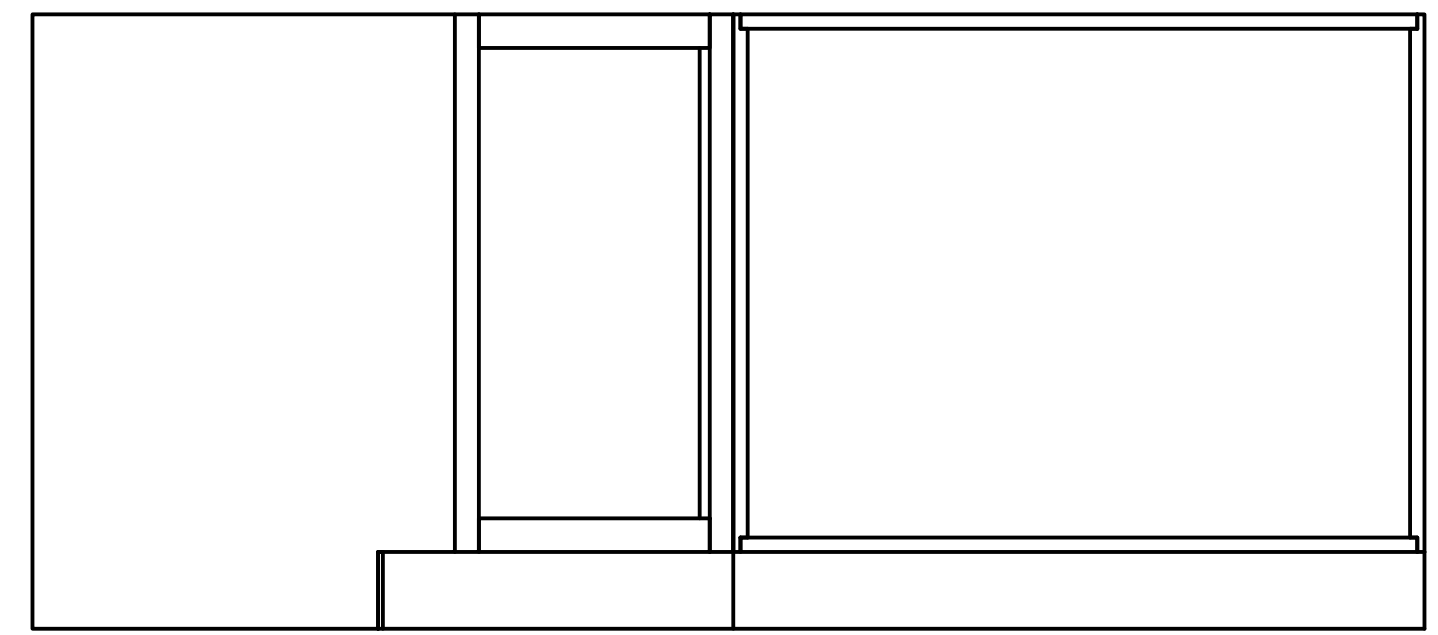
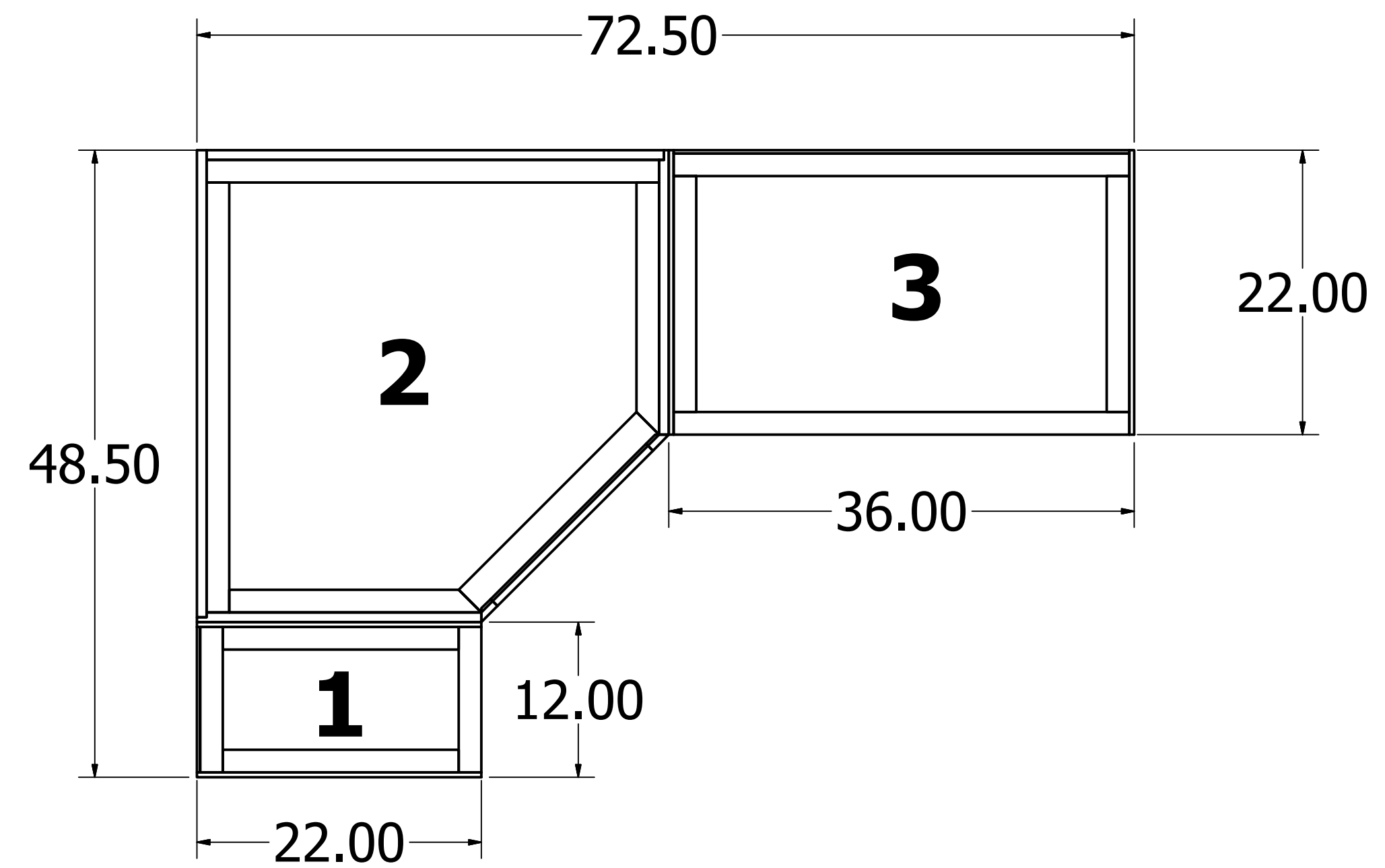




|              |           |  |           |               |
|--------------|-----------|--|-----------|---------------|
| Kevin Culver | 4/21/2019 | <a href="https://kevswoodworks.com">https://kevswoodworks.com</a><br>MyBenchTime@gmail.com |           |               |
|              |           | TITLE  |           |               |
|              |           | Lathe Cabinet  |           |               |
|              |           | SIZE   | DWG NO    | REV           |
|              |           | D  | Lathe_Cab |               |
|              |           | SCALE  | .2        | SHEET 1 OF 22 |

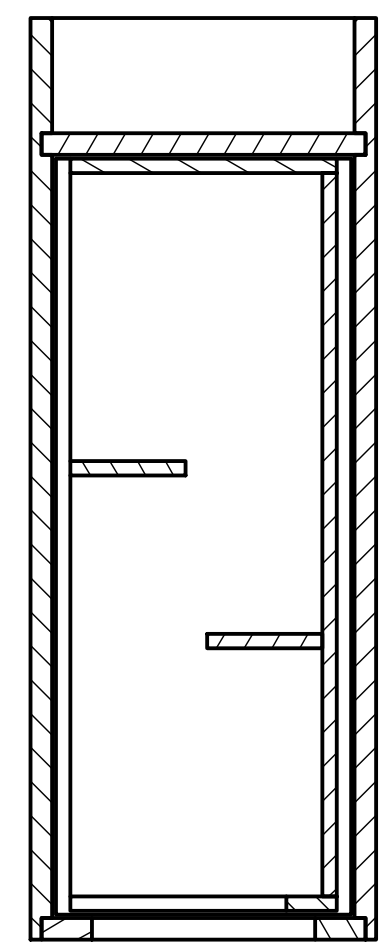


|              |           |  |           |               |
|--------------|-----------|--|-----------|---------------|
| Kevin Culver | 4/21/2019 | <a href="https://kevswoodworks.com">https://kevswoodworks.com</a><br>MyBenchTime@gmail.com |           |               |
|              |           | TITLE  |           |               |
|              |           | Lathe Cabinet  |           |               |
|              |           | SIZE   | DWG NO    | REV           |
|              |           | D  | Lathe_Cab |               |
|              |           | SCALE  | .1        | SHEET 2 OF 22 |

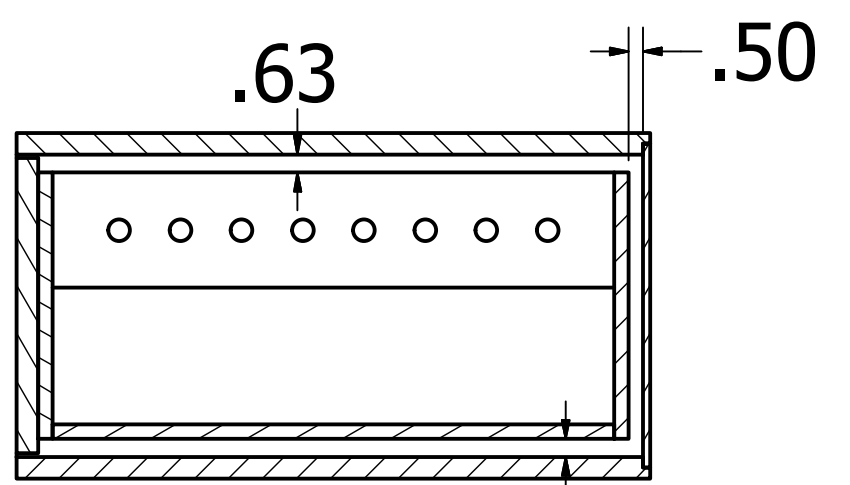
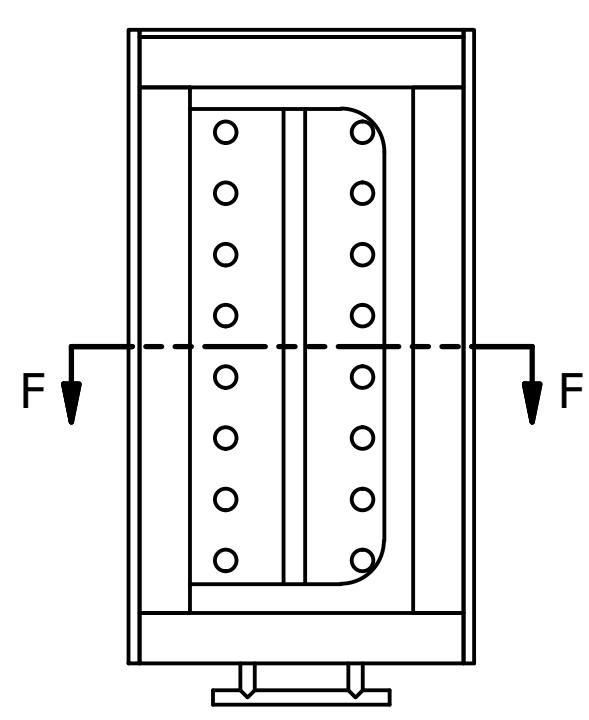


**CABINETS (1-3)**

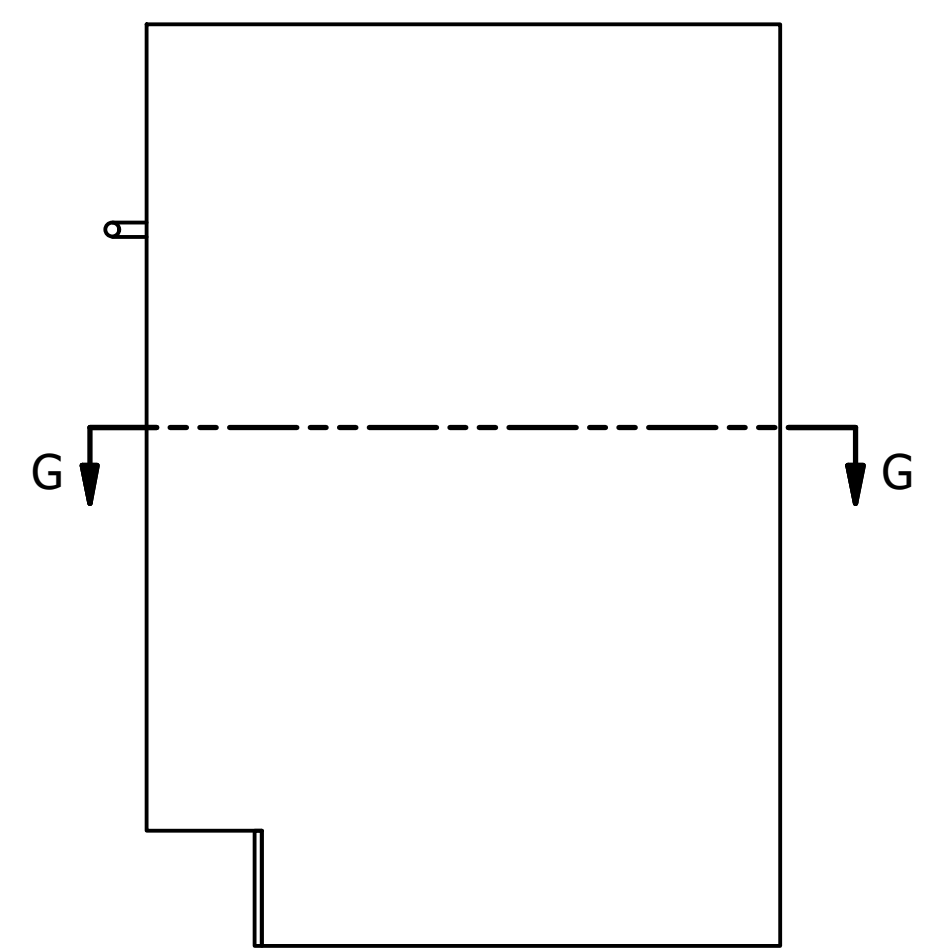
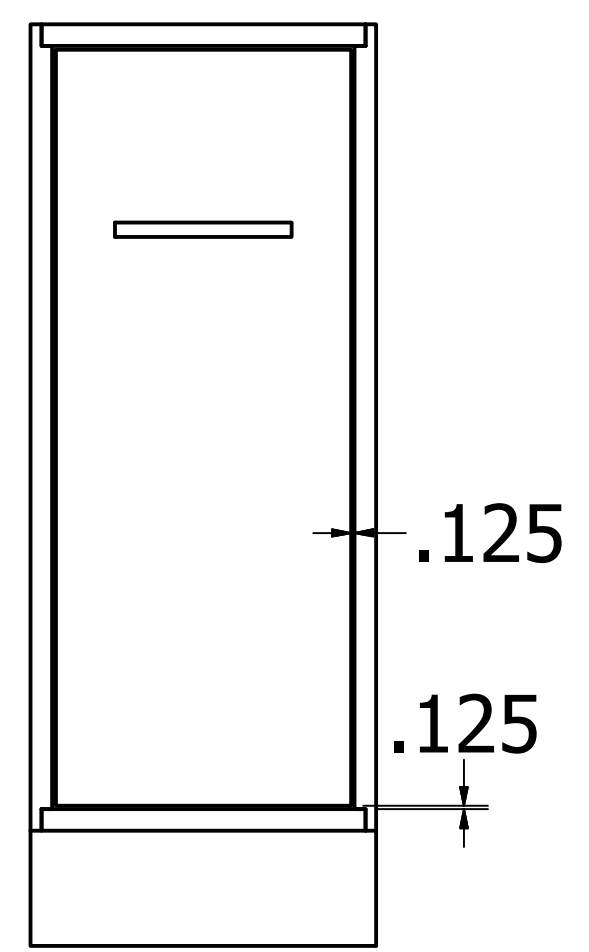
|              |           |  |           |               |
|--------------|-----------|--|-----------|---------------|
| Kevin Culver | 4/21/2019 | <a href="https://kevswoodworks.com">https://kevswoodworks.com</a><br>MyBenchTime@gmail.com |           |               |
|              |           | TITLE  |           |               |
|              |           | Lathe Cabinet  |           |               |
|              |           | SIZE   | DWG NO    | REV           |
|              |           | D  | Lathe_Cab |               |
|              |           | SCALE  | .1        | SHEET 3 OF 22 |



SECTION F-F  
SCALE .15



SECTION G-G .63  
SCALE .15



# CABINET 1 - ASSY

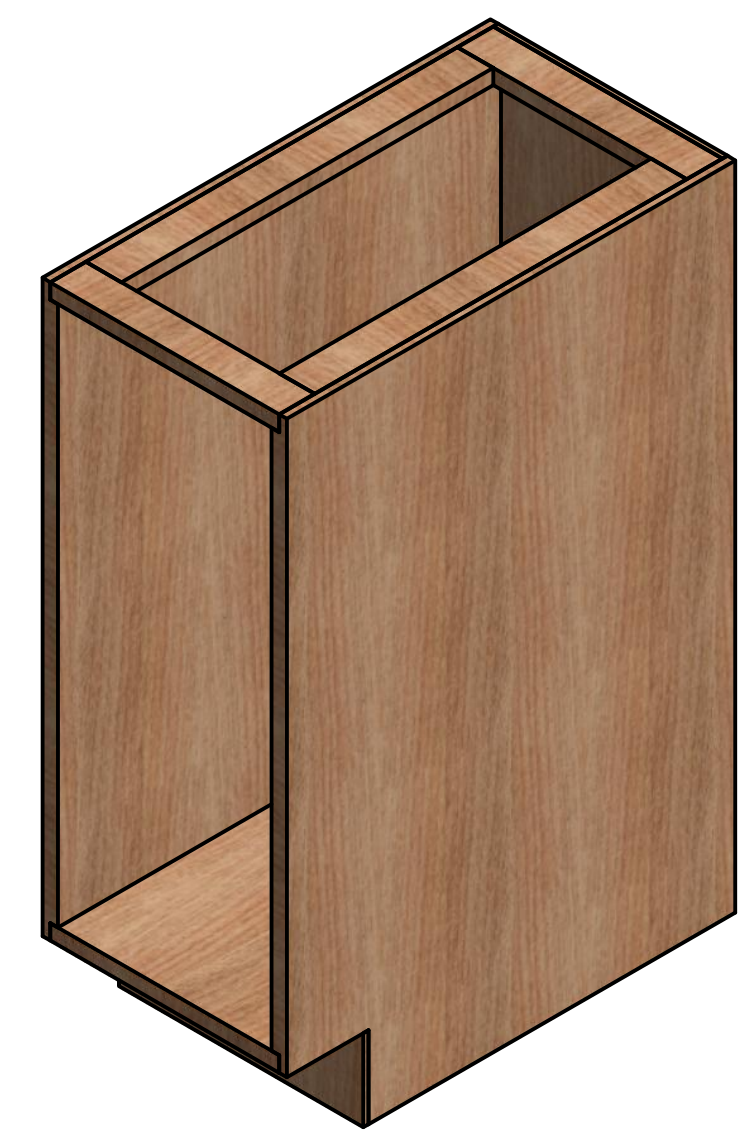
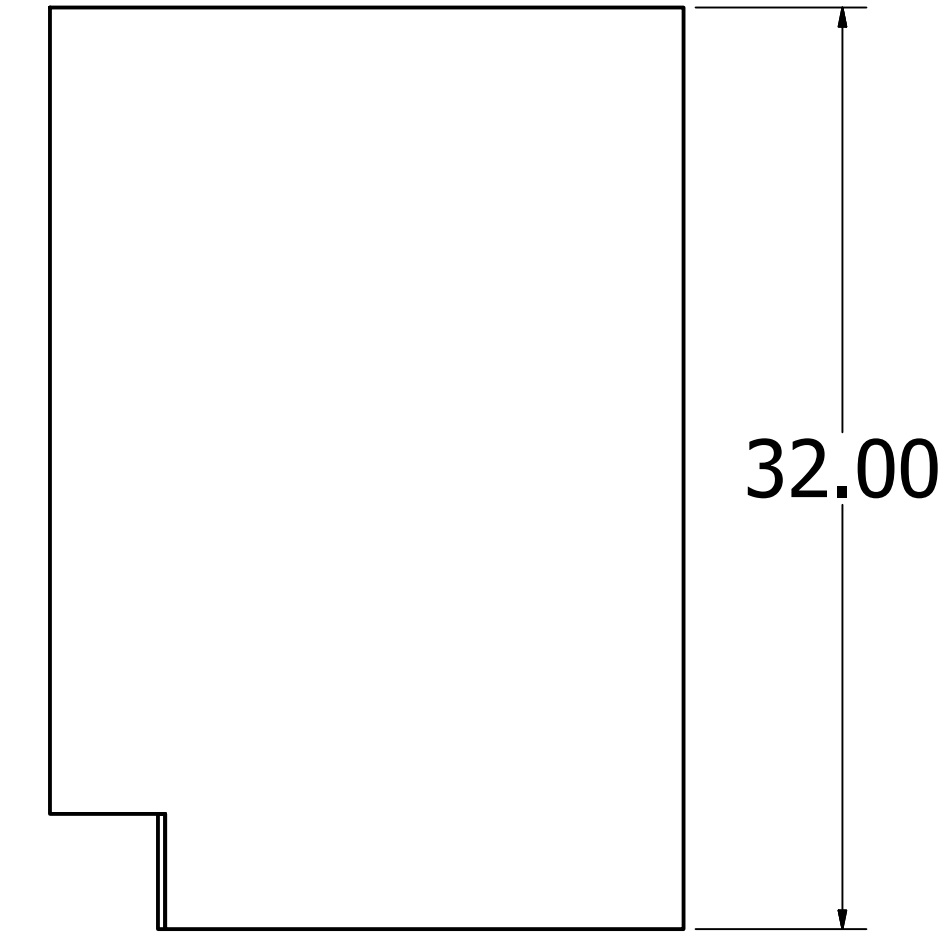
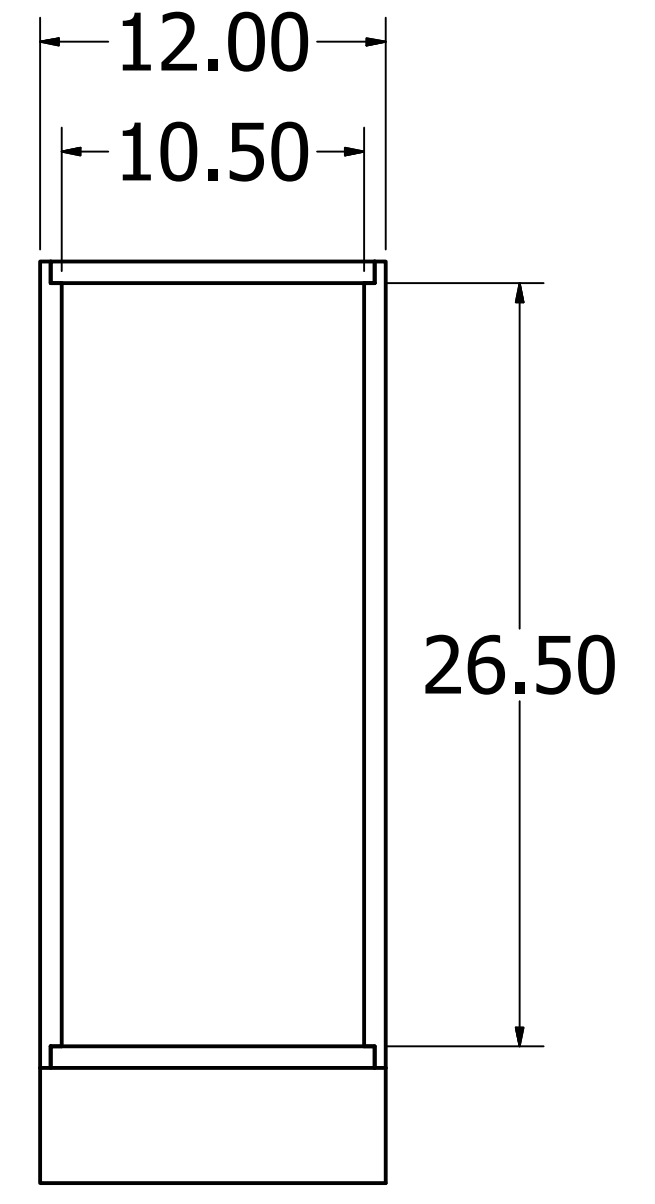
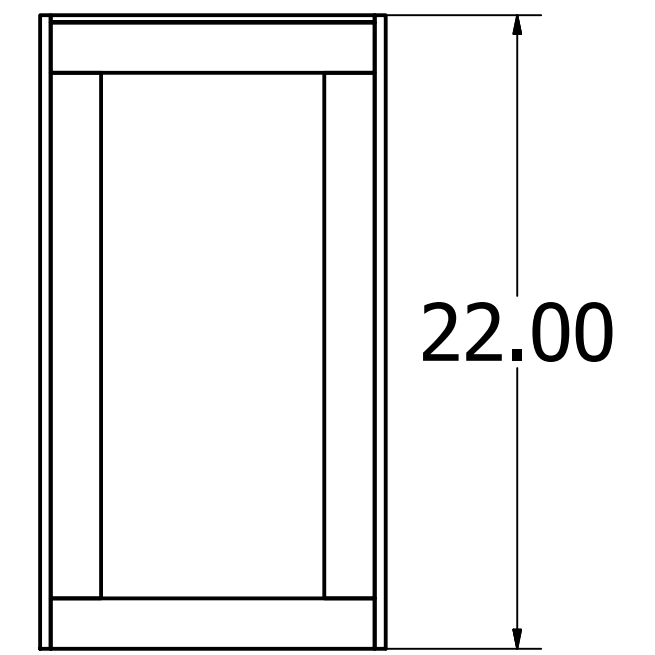
|              |           |  |           |               |
|--------------|-----------|--|-----------|---------------|
| Kevin Culver | 4/21/2019 | <a href="https://kevswoodworks.com">https://kevswoodworks.com</a><br>MyBenchTime@gmail.com |           |               |
|              |           | TITLE  |           |               |
|              |           | Lathe Cabinet  |           |               |
|              |           | SIZE   | DWG NO    | REV           |
|              |           | D  | Lathe_Cab |               |
|              |           | SCALE  | .15       | SHEET 4 OF 22 |



8 7 6 5 4 3 2 1

D

D



C

C

B

B

B

B

A

A

CABINET 1

|              |           |  |           |               |
|--------------|-----------|--|-----------|---------------|
| Kevin Culver | 4/21/2019 | <a href="https://kevswoodworks.com">https://kevswoodworks.com</a><br>MyBenchTime@gmail.com |           |               |
|              |           | TITLE  |           |               |
|              |           | Lathe Cabinet  |           |               |
|              |           | SIZE   | DWG NO    | REV           |
|              |           | D  | Lathe_Cab |               |
|              |           | SCALE  | .15       | SHEET 5 OF 22 |

8 7 6 5 4 3 2 1

8 7 6 5 4 3 2 1

D

D

C

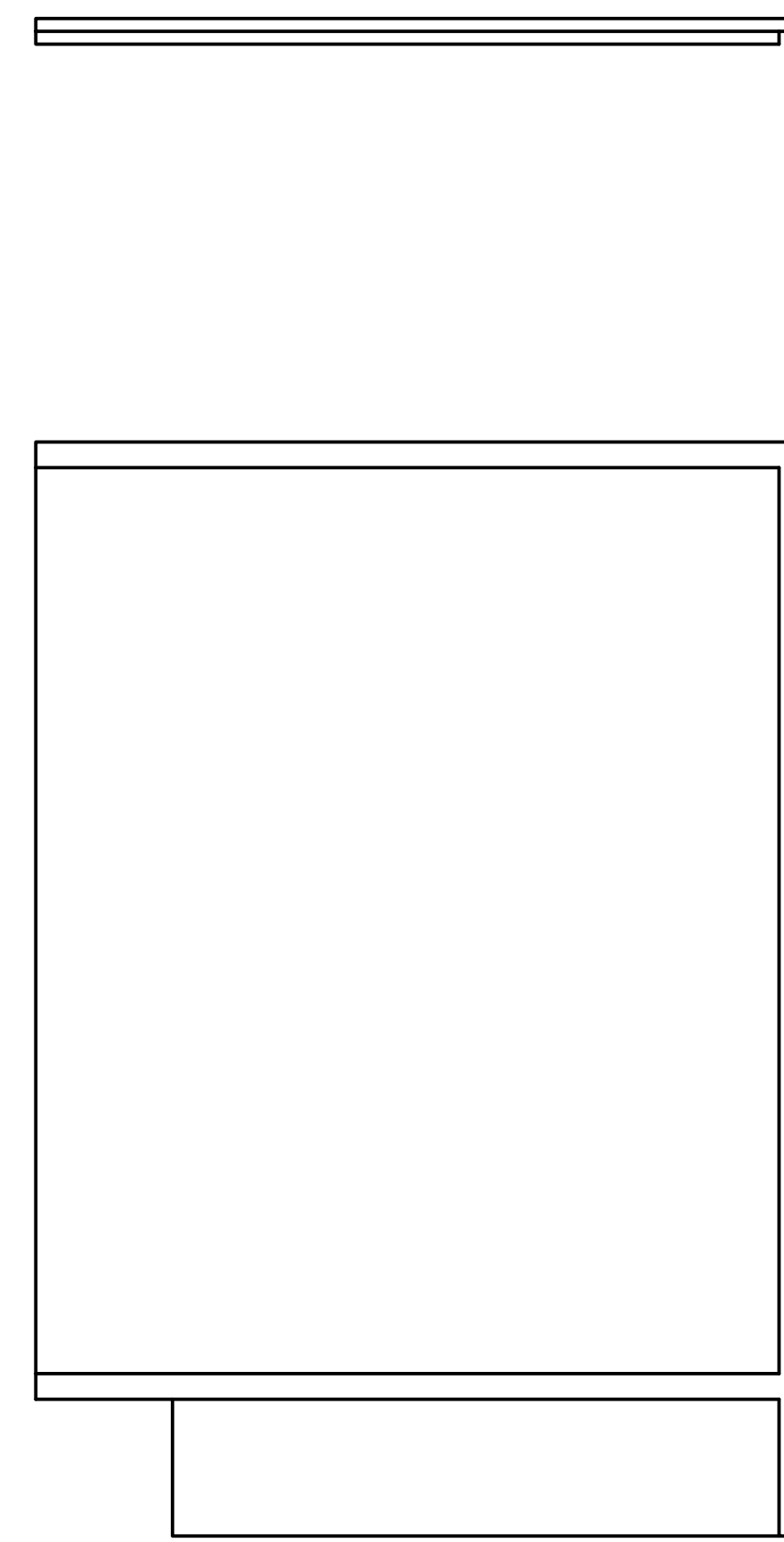
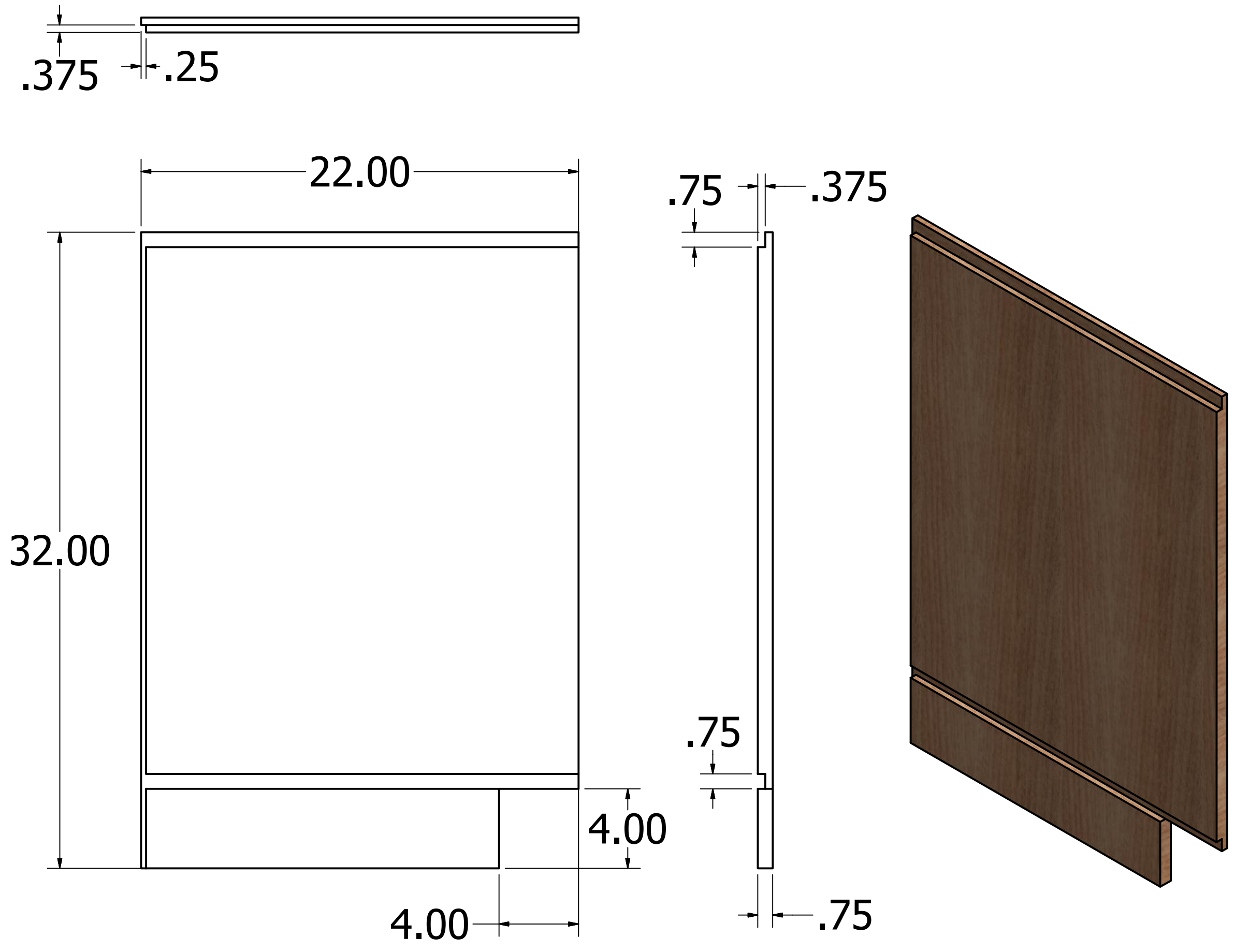
C

B

B

A

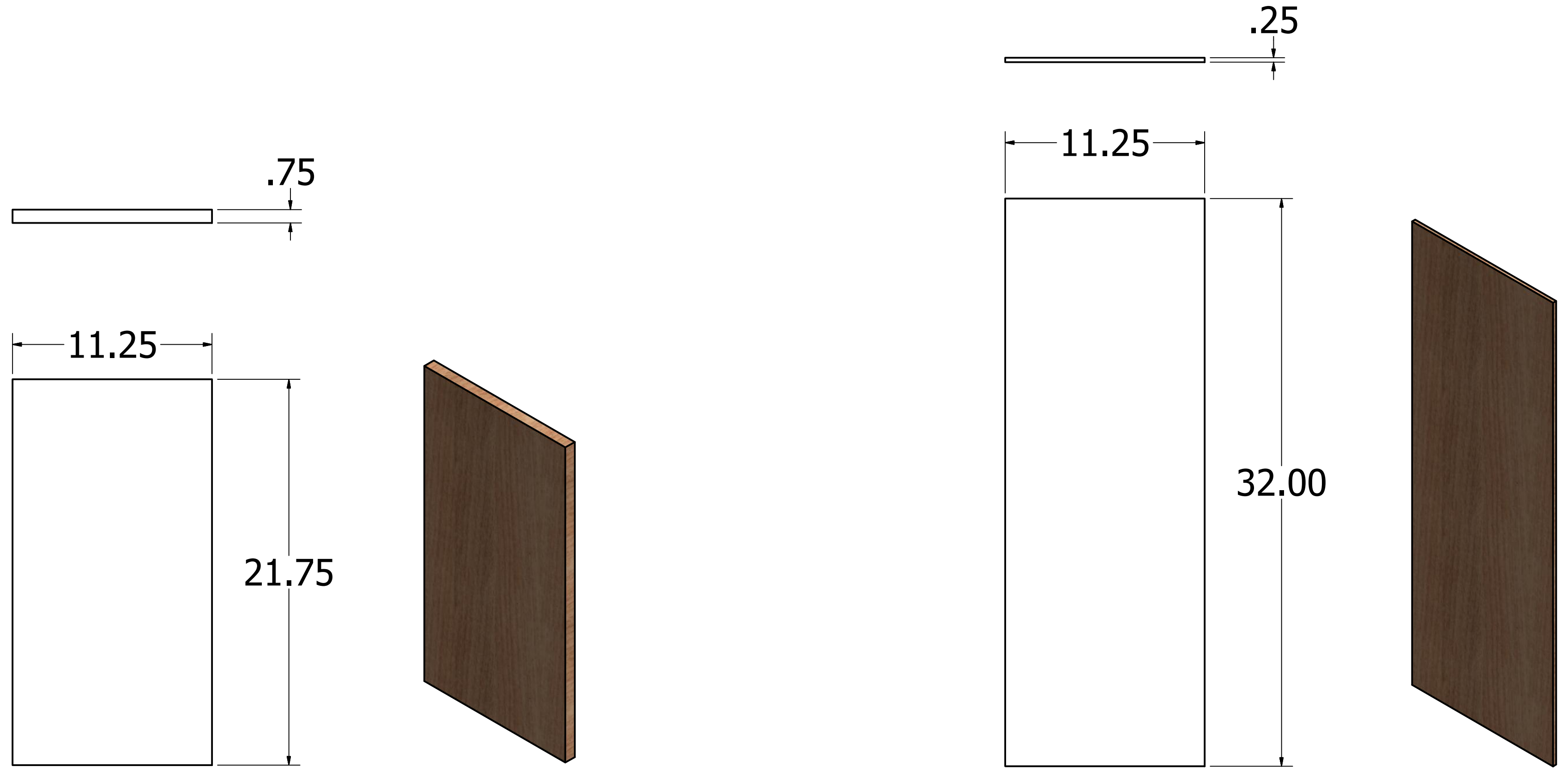
A



# CAB 1 AND 3 - SIDES

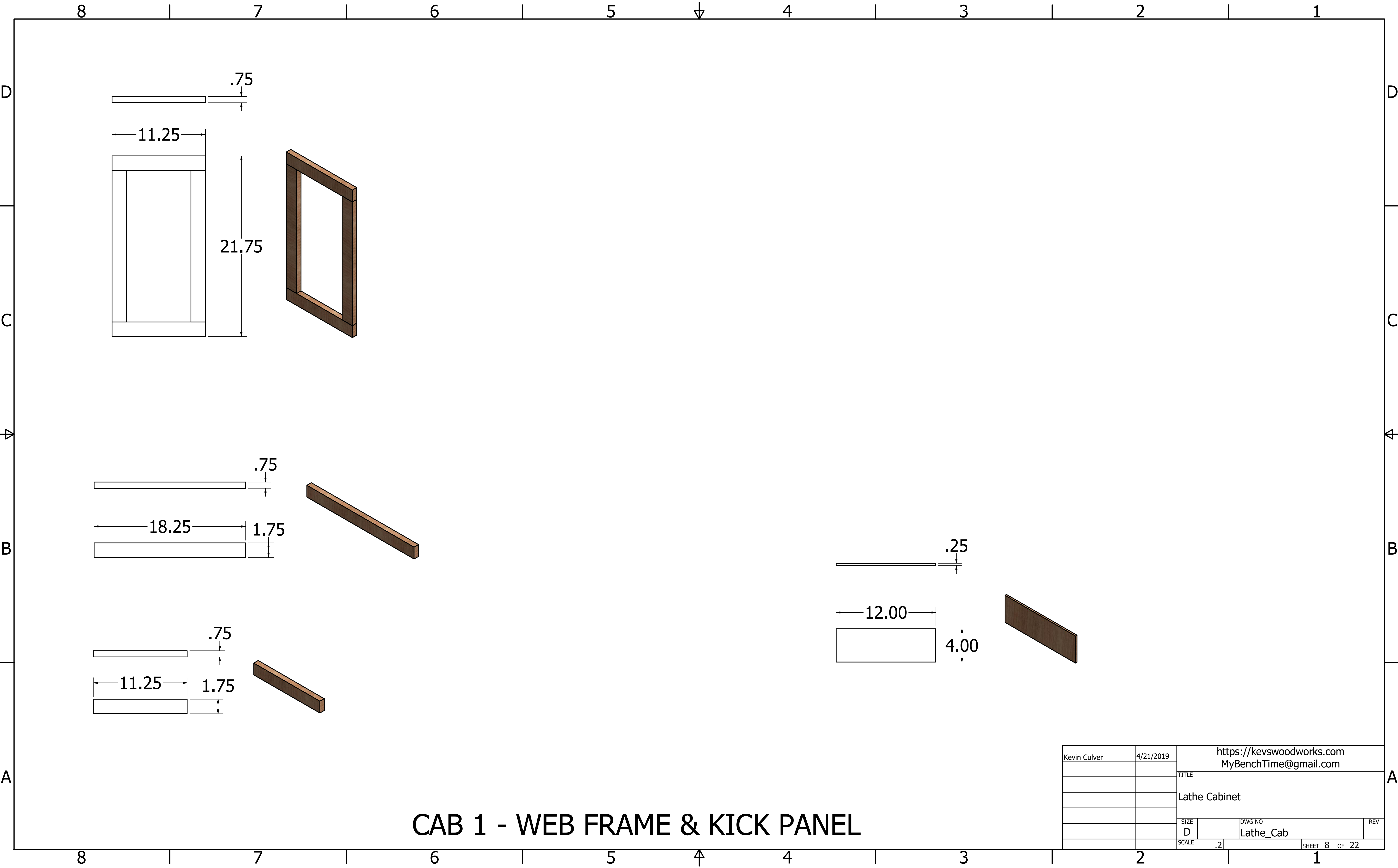
|              |           |  |           |               |
|--------------|-----------|--|-----------|---------------|
| Kevin Culver | 4/21/2019 | <a href="https://kevswoodworks.com">https://kevswoodworks.com</a><br>MyBenchTime@gmail.com |           |               |
|              |           | TITLE  |           |               |
|              |           | Lathe Cabinet  |           |               |
|              |           | SIZE   | DWG NO    | REV           |
|              |           | D  | Lathe_Cab |               |
|              |           | SCALE  | .2        | SHEET 6 OF 22 |

8 7 6 5 4 3 2 1



CAB 1 - BOTTOM AND BACK

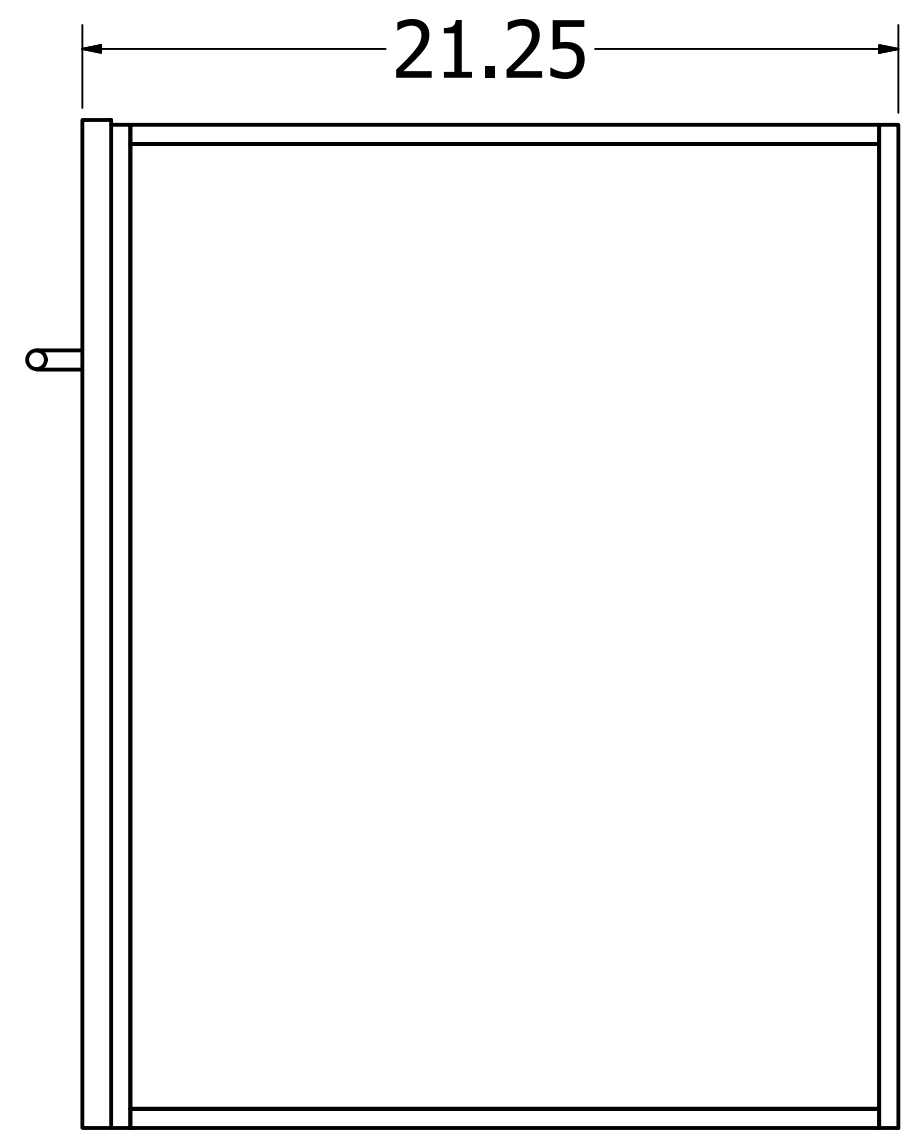
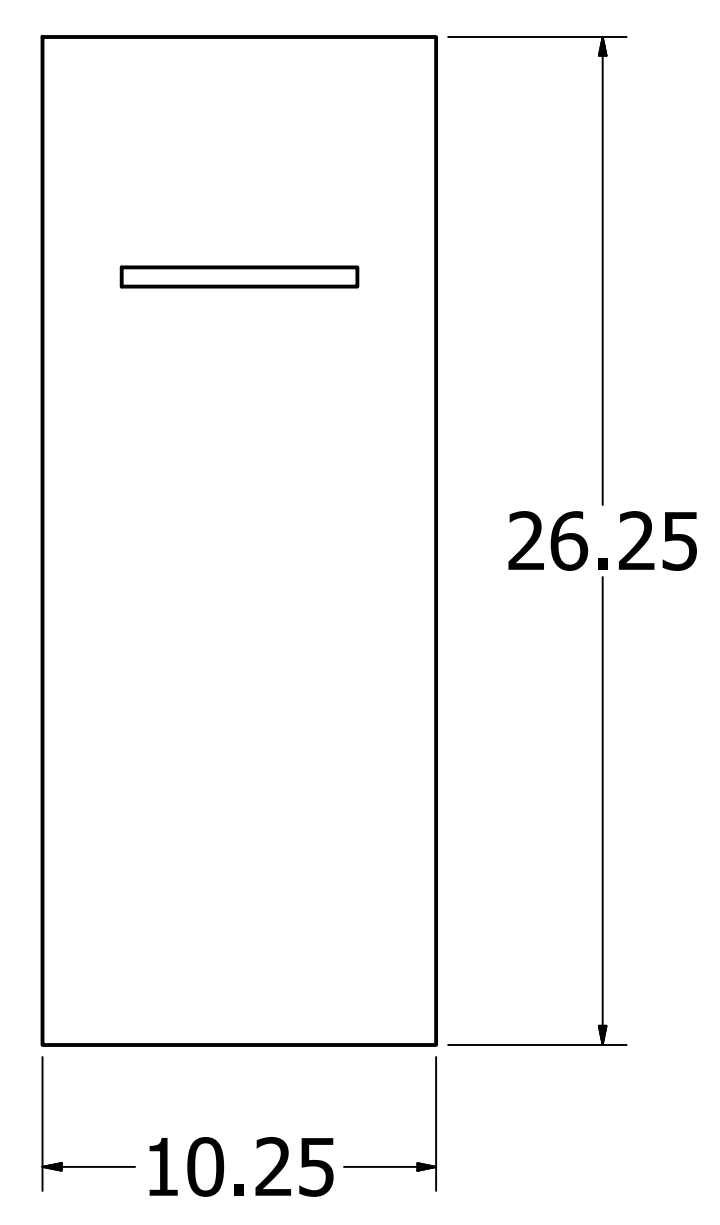
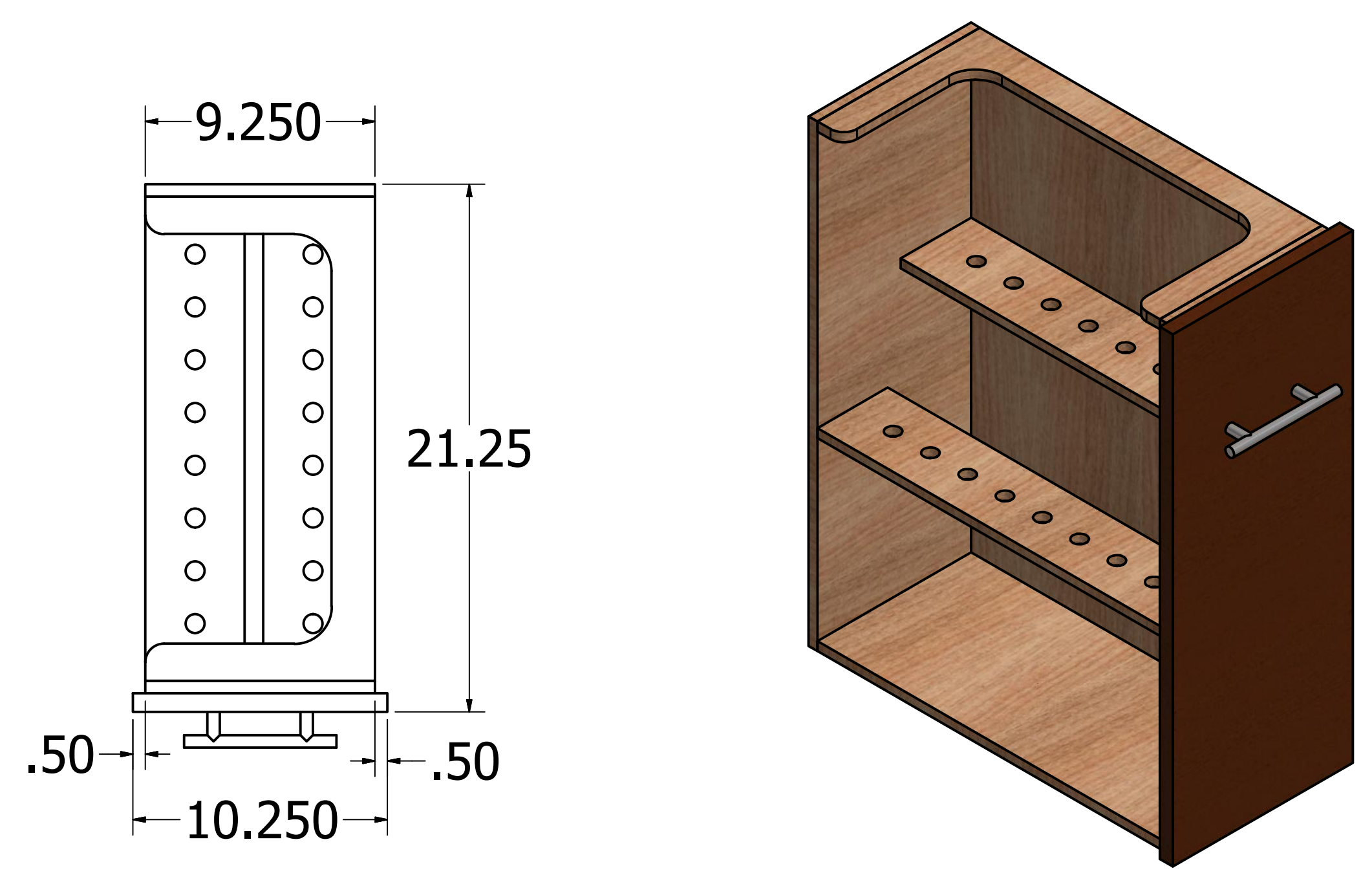
|              |           |  |           |               |
|--------------|-----------|--|-----------|---------------|
| Kevin Culver | 4/21/2019 | <a href="https://kevswoodworks.com">https://kevswoodworks.com</a><br>MyBenchTime@gmail.com |           |               |
|              |           | TITLE  |           |               |
|              |           | Lathe Cabinet  |           |               |
|              |           | SIZE   | DWG NO    | REV           |
|              |           | D  | Lathe_Cab |               |
|              |           | SCALE  | .2        | SHEET 7 OF 22 |



# CAB 1 - WEB FRAME & KICK PANEL

|              |           |  |           |               |
|--------------|-----------|--|-----------|---------------|
| Kevin Culver | 4/21/2019 | <a href="https://kevswoodworks.com">https://kevswoodworks.com</a><br>MyBenchTime@gmail.com |           |               |
|              |           | TITLE  |           |               |
|              |           | Lathe Cabinet  |           |               |
|              |           | SIZE   | DWG NO    | REV           |
|              |           | D  | Lathe_Cab |               |
|              |           | SCALE  | .2        | SHEET 8 OF 22 |





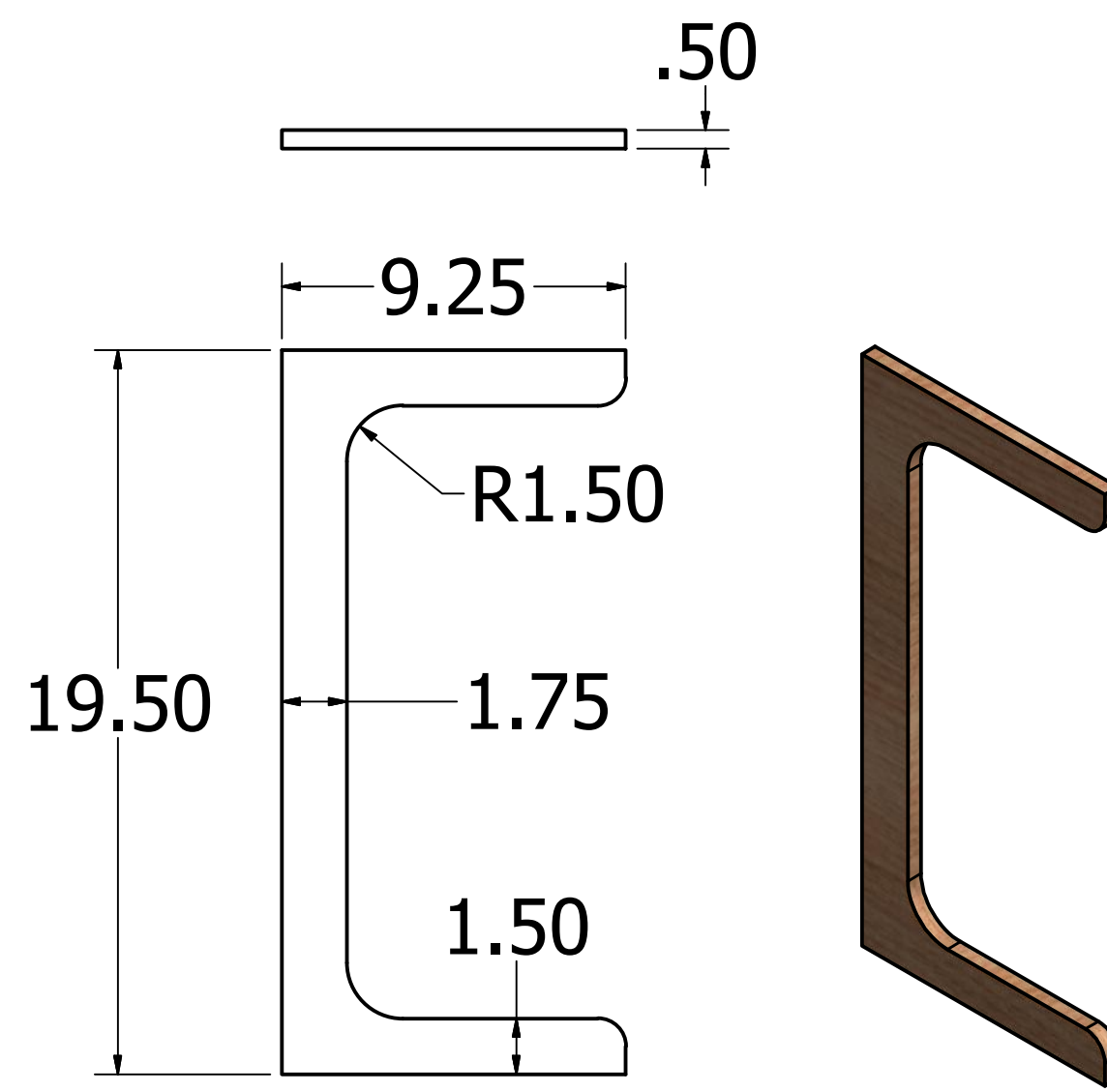
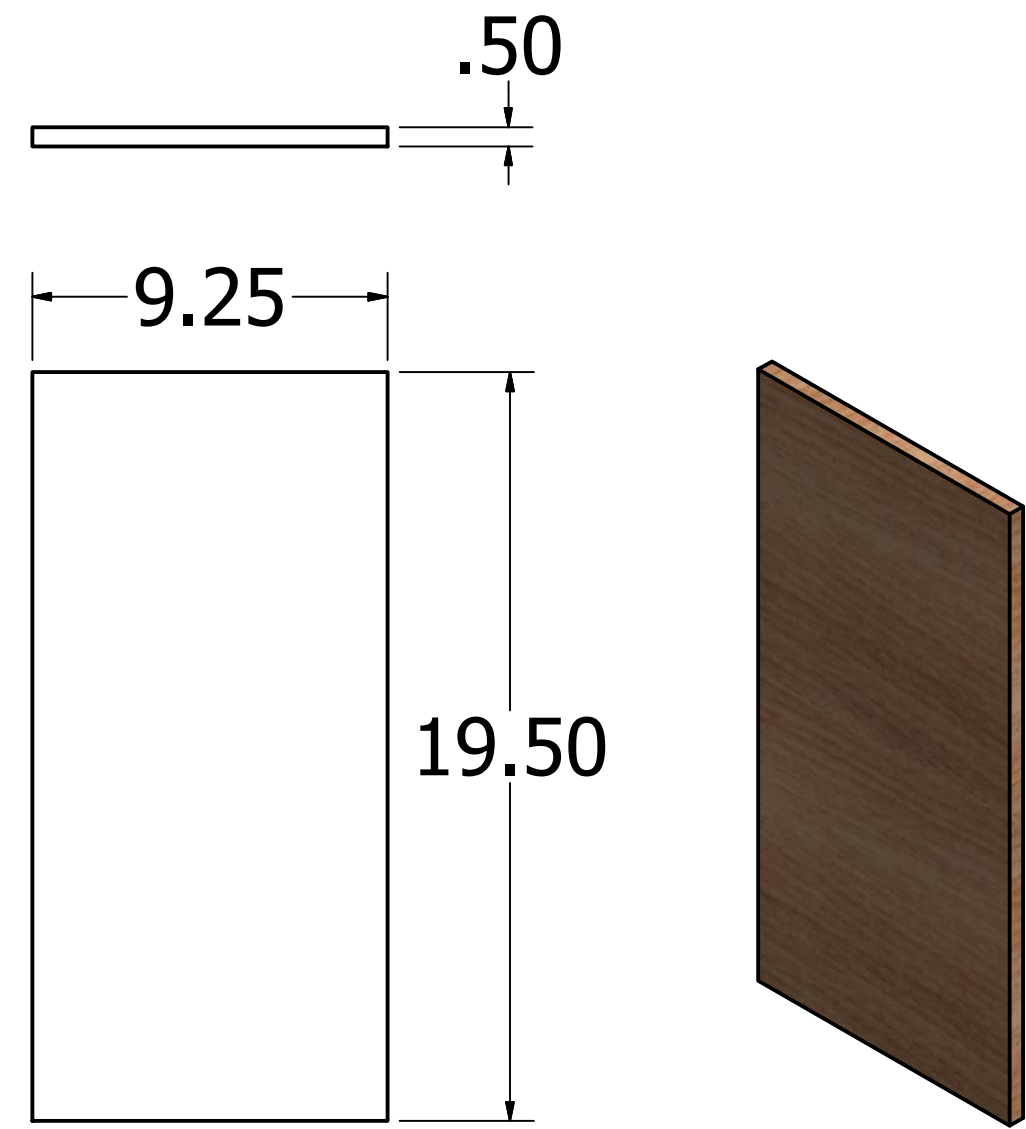
**CAB 1 - DRAWER**

|              |           |  |           |               |
|--------------|-----------|--|-----------|---------------|
| Kevin Culver | 4/21/2019 | <a href="https://kevswoodworks.com">https://kevswoodworks.com</a><br>MyBenchTime@gmail.com |           |               |
|              |           | TITLE  |           |               |
|              |           | Lathe Cabinet  |           |               |
|              |           | SIZE   | DWG NO    | REV           |
|              |           | D  | Lathe_Cab |               |
|              |           | SCALE  | .2        | SHEET 9 OF 22 |



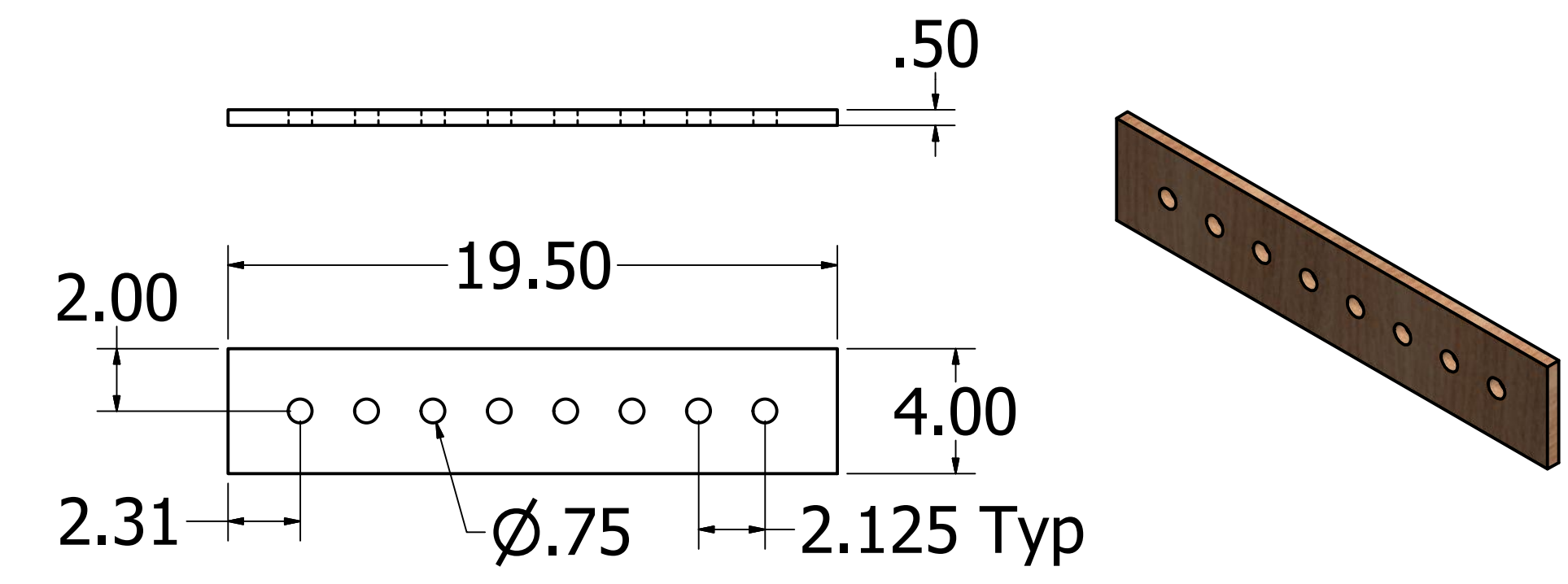
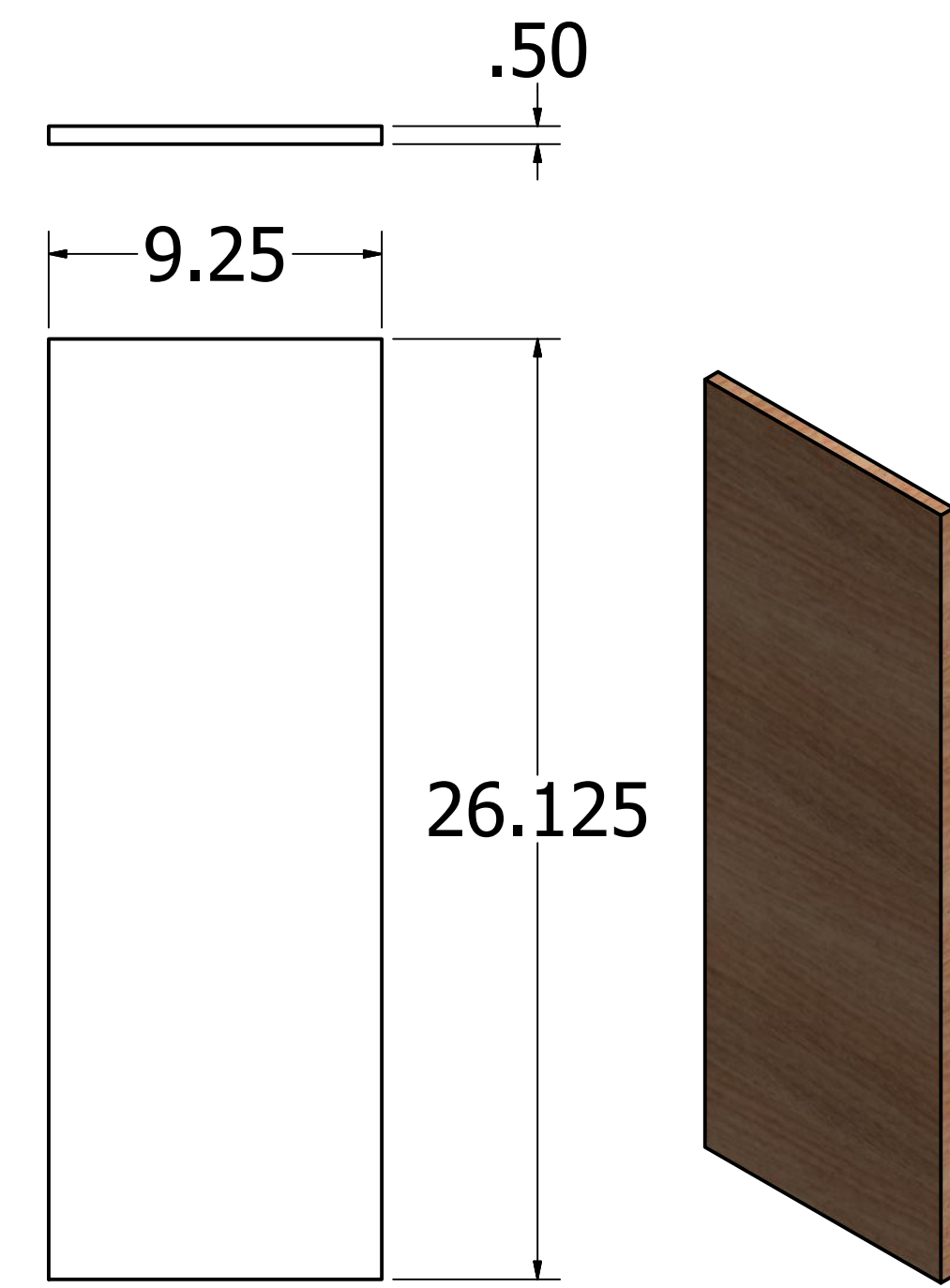
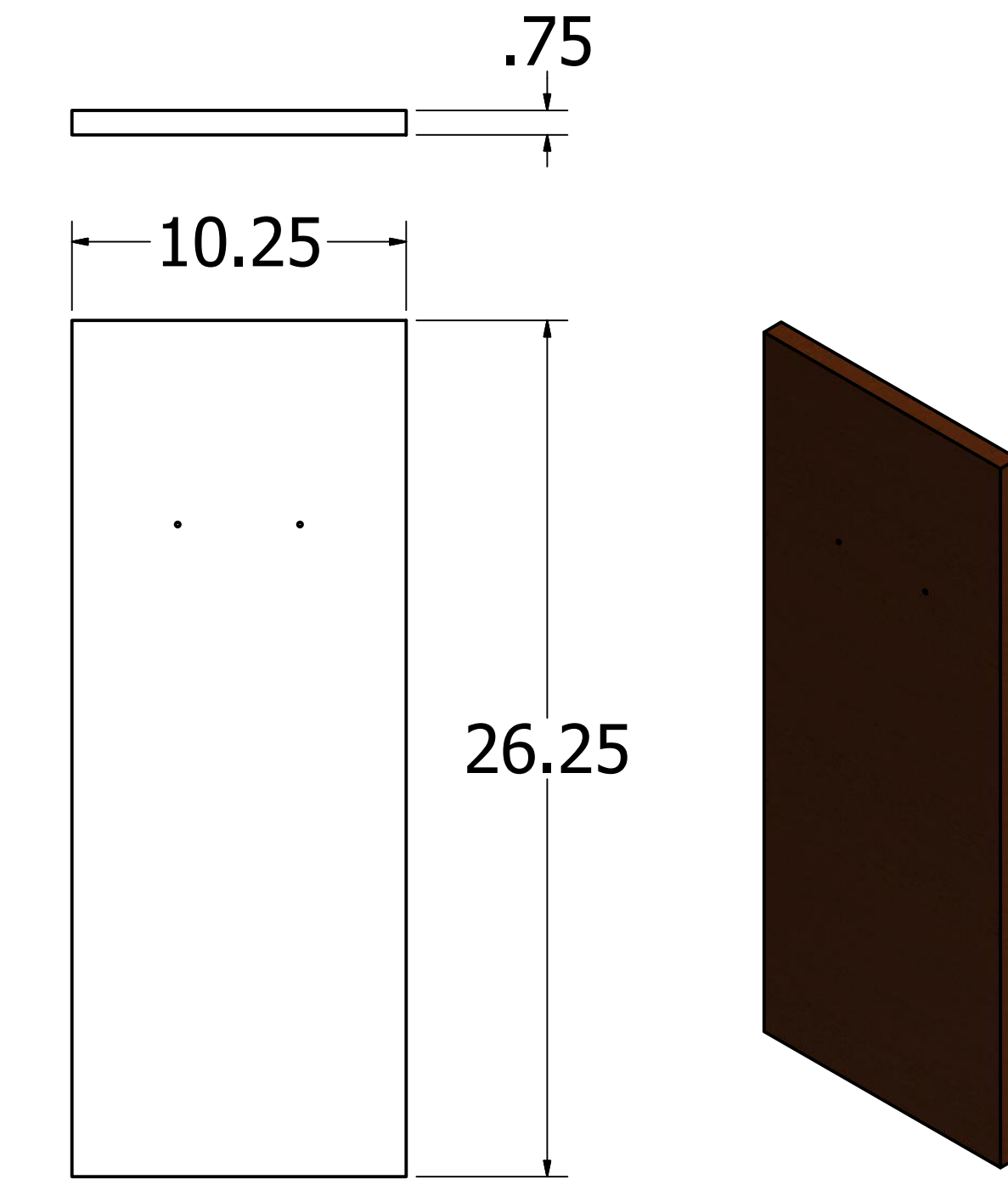
8 | 7 | 6 | 5 | 4 | 3 | 2 | 1

D



C

B



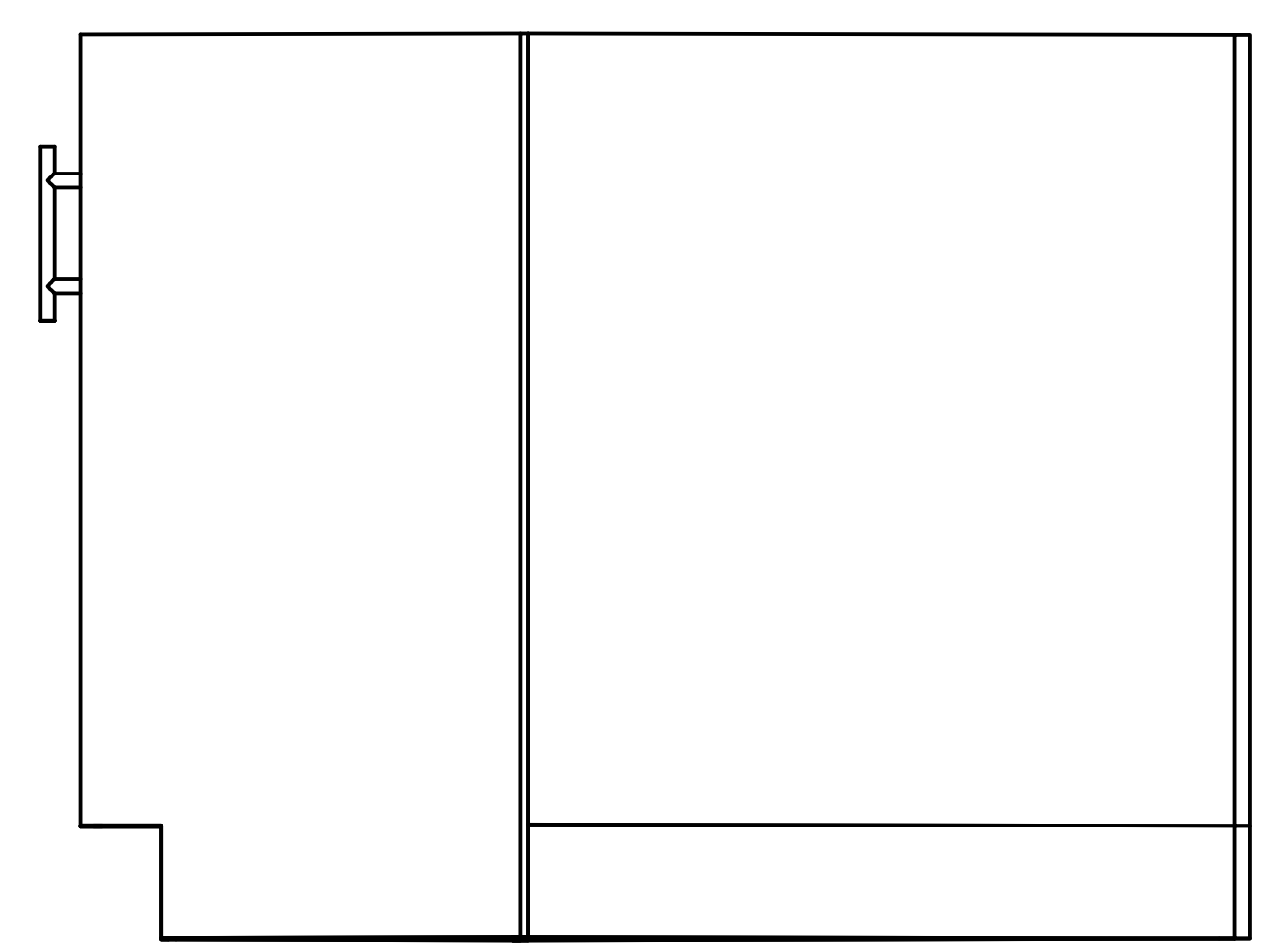
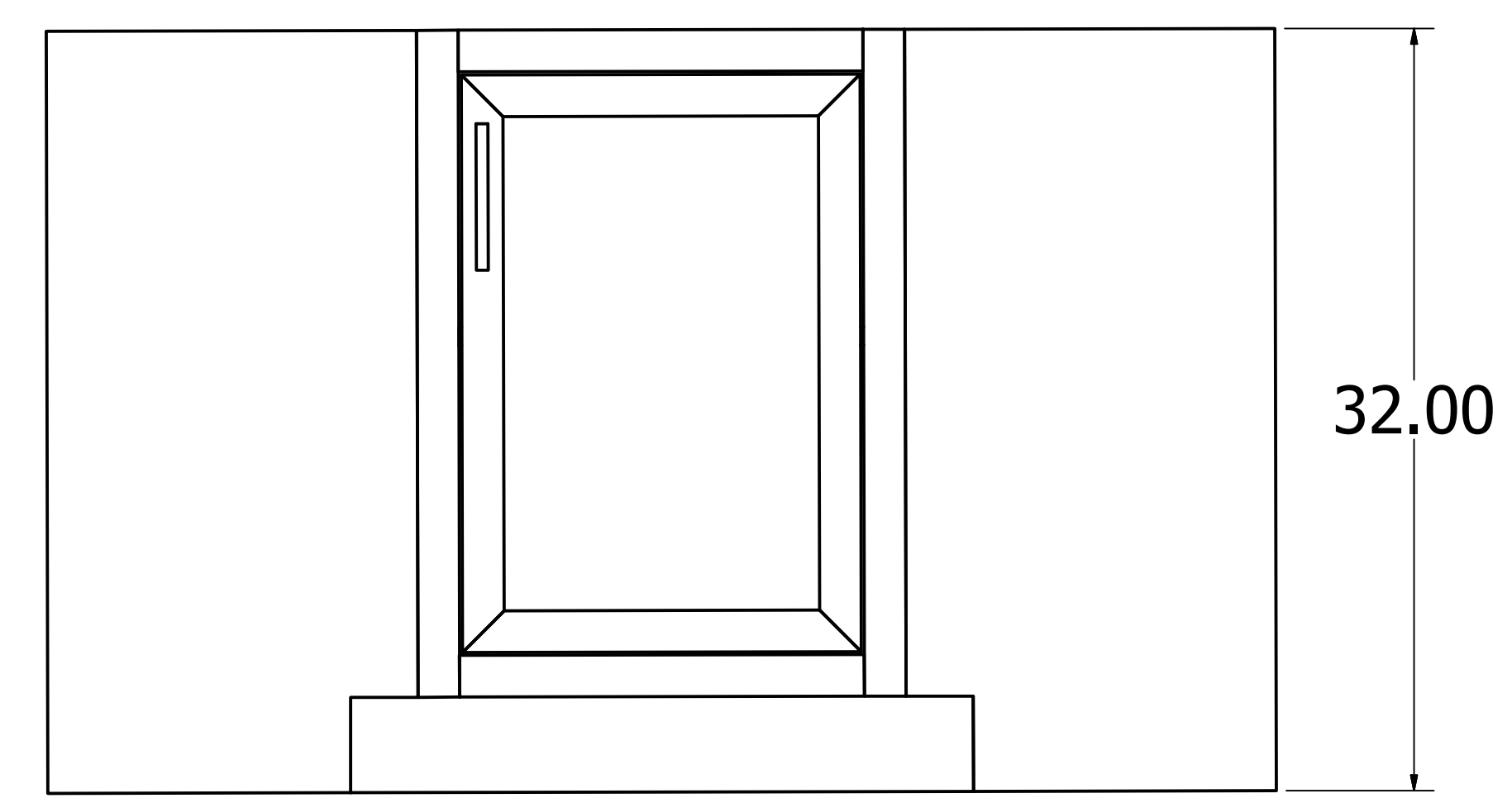
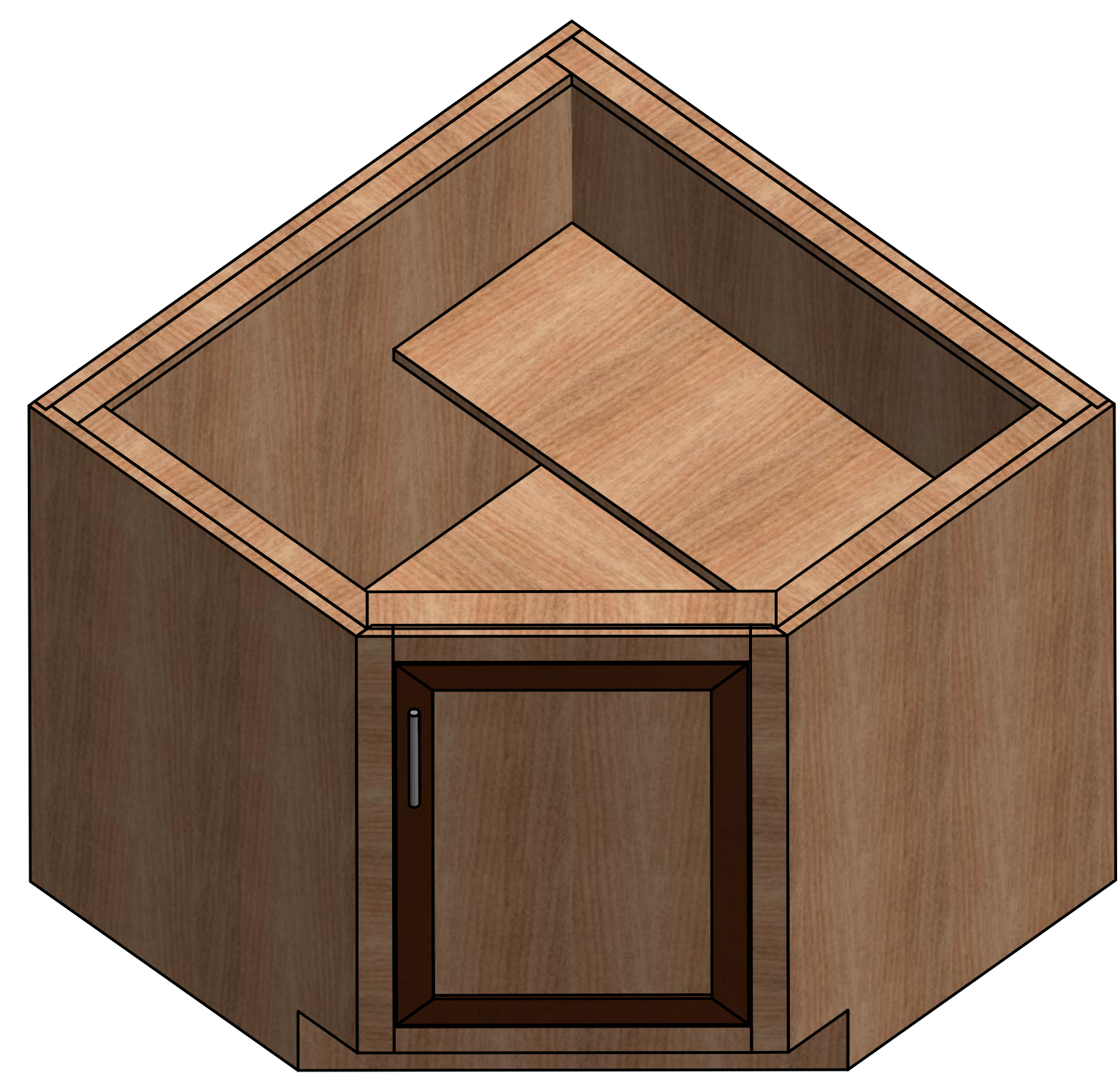
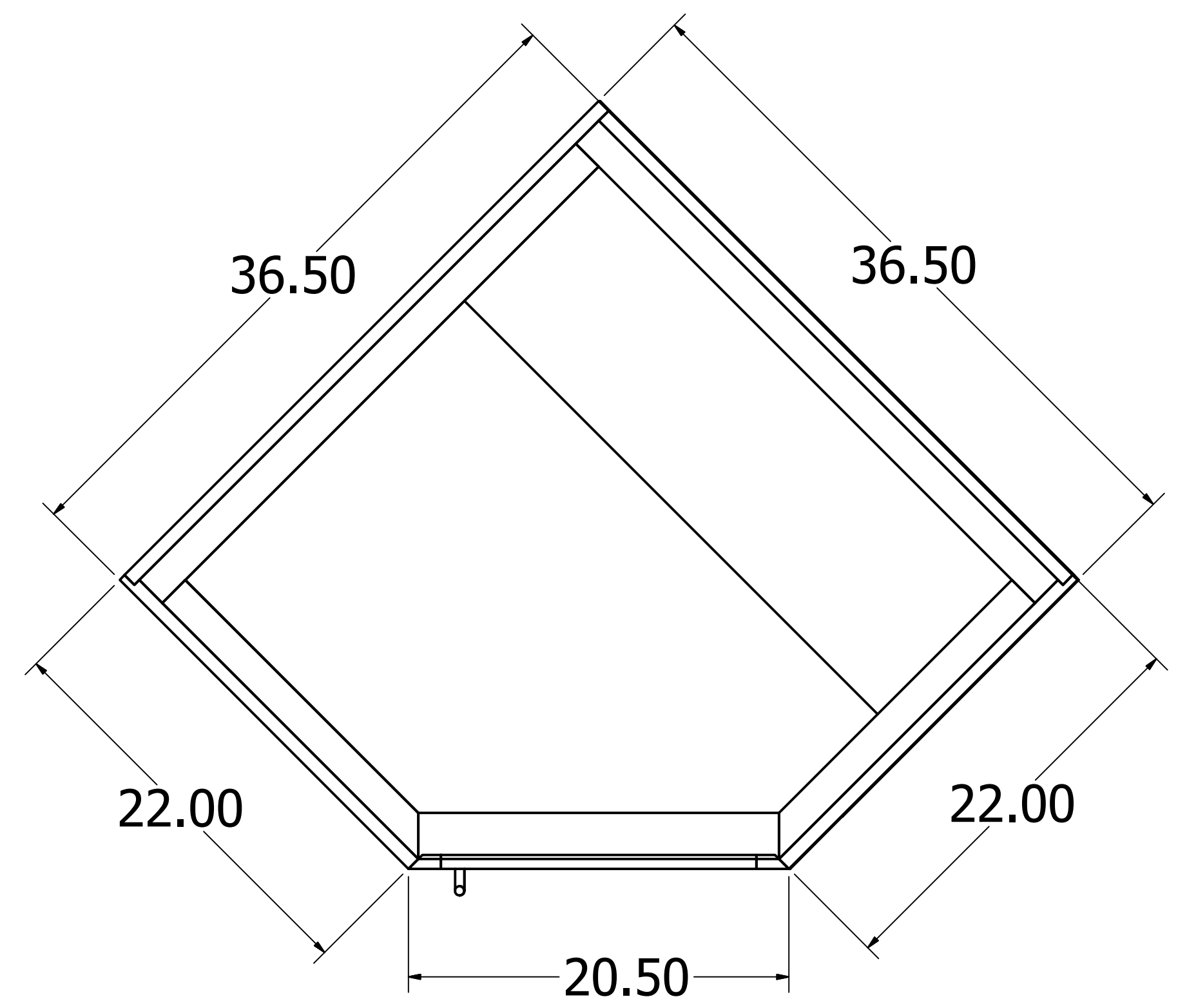
B

A

# CAB 1 - DRAWER PARTS

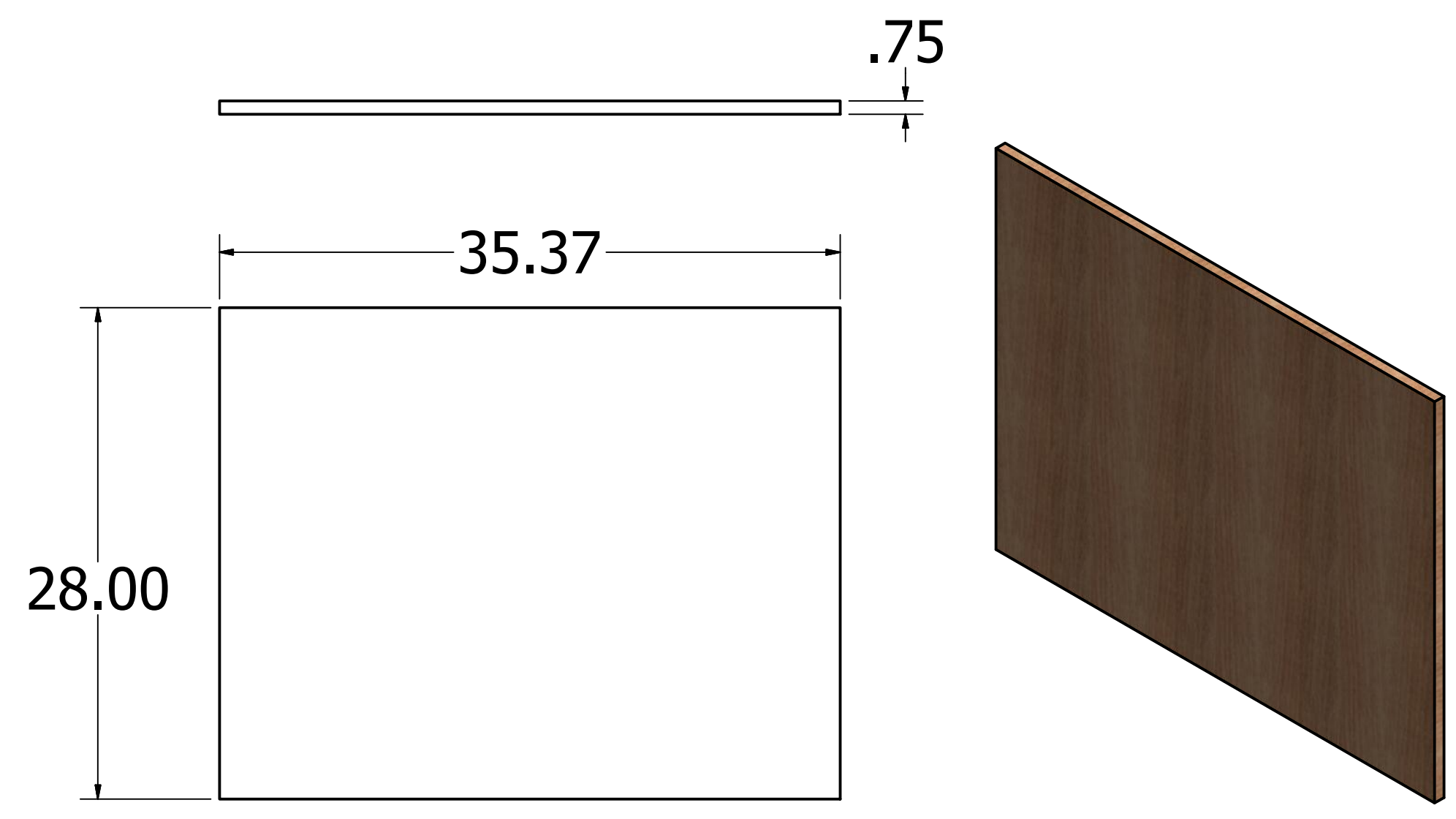
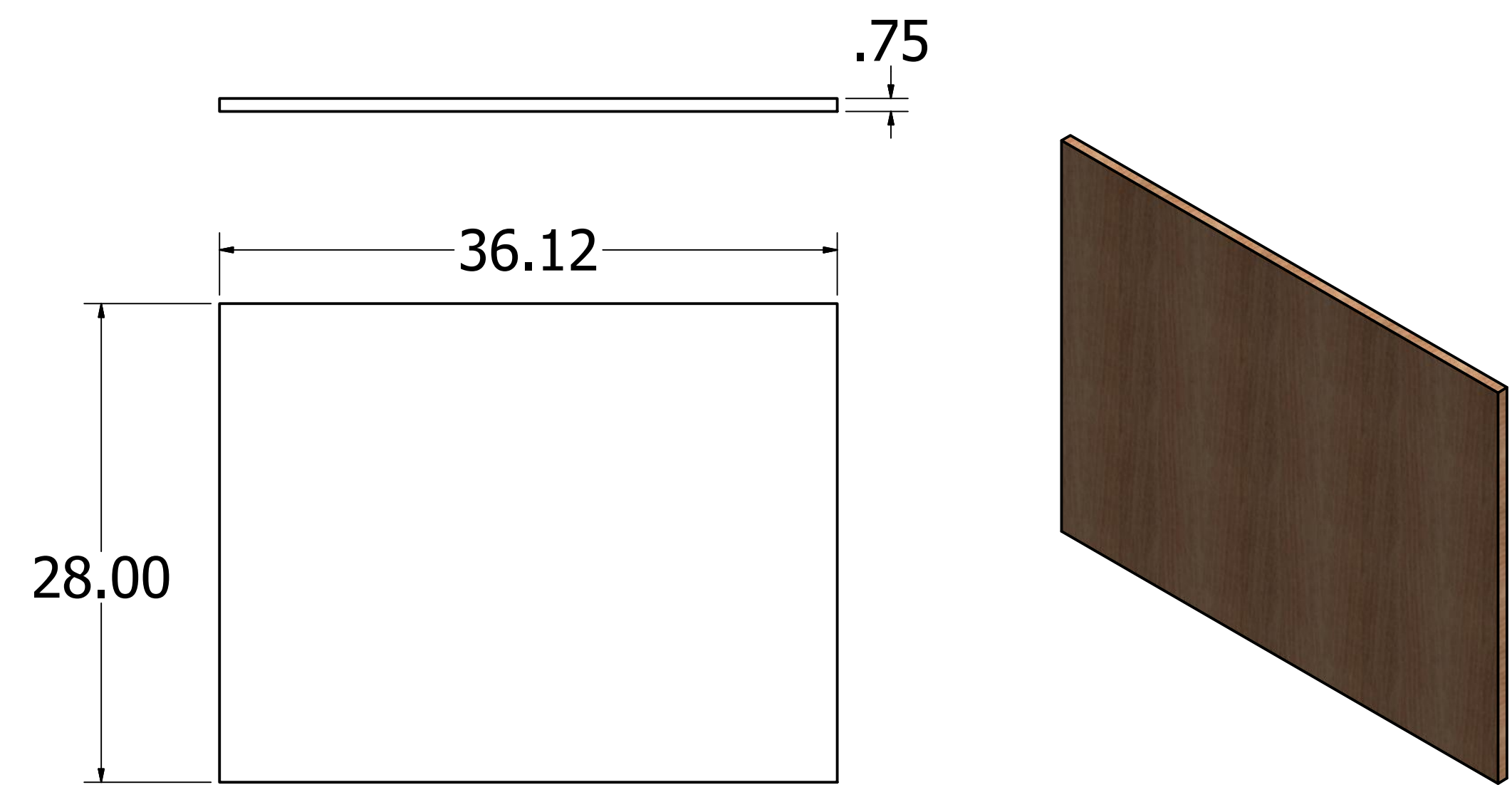
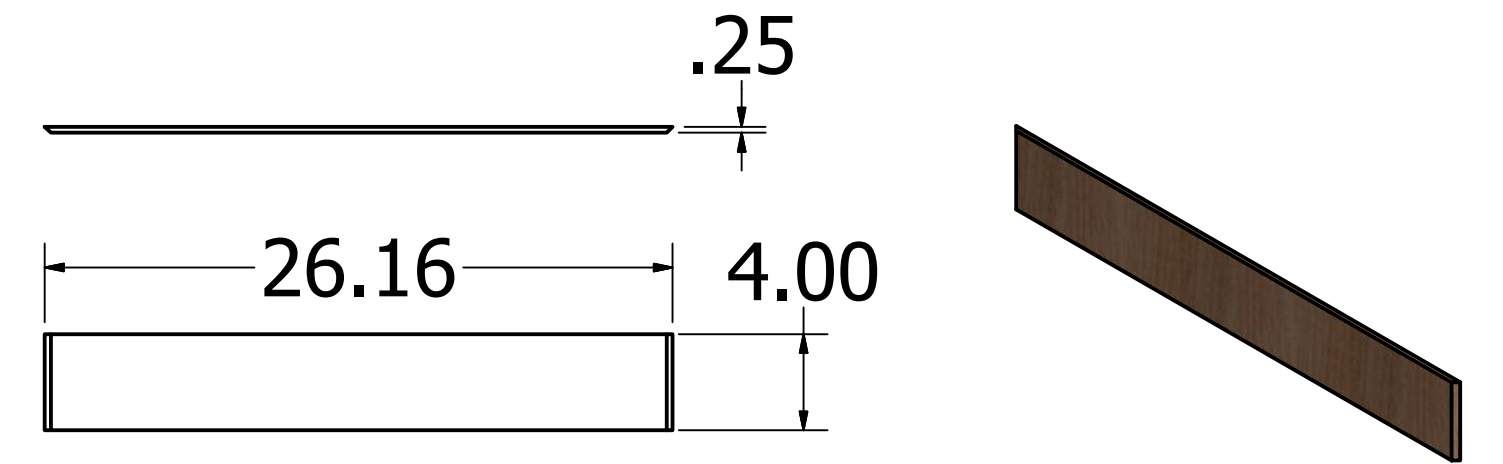
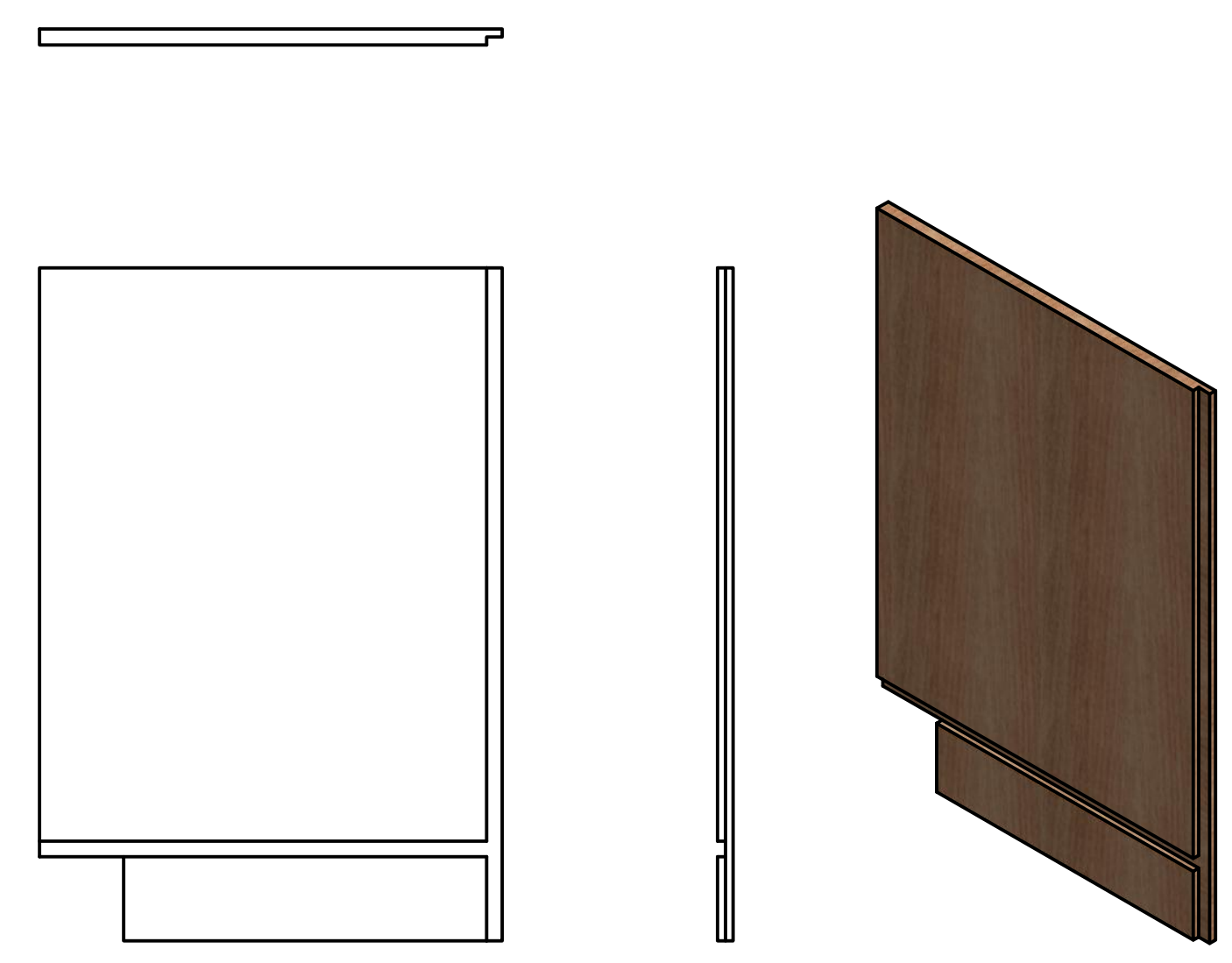
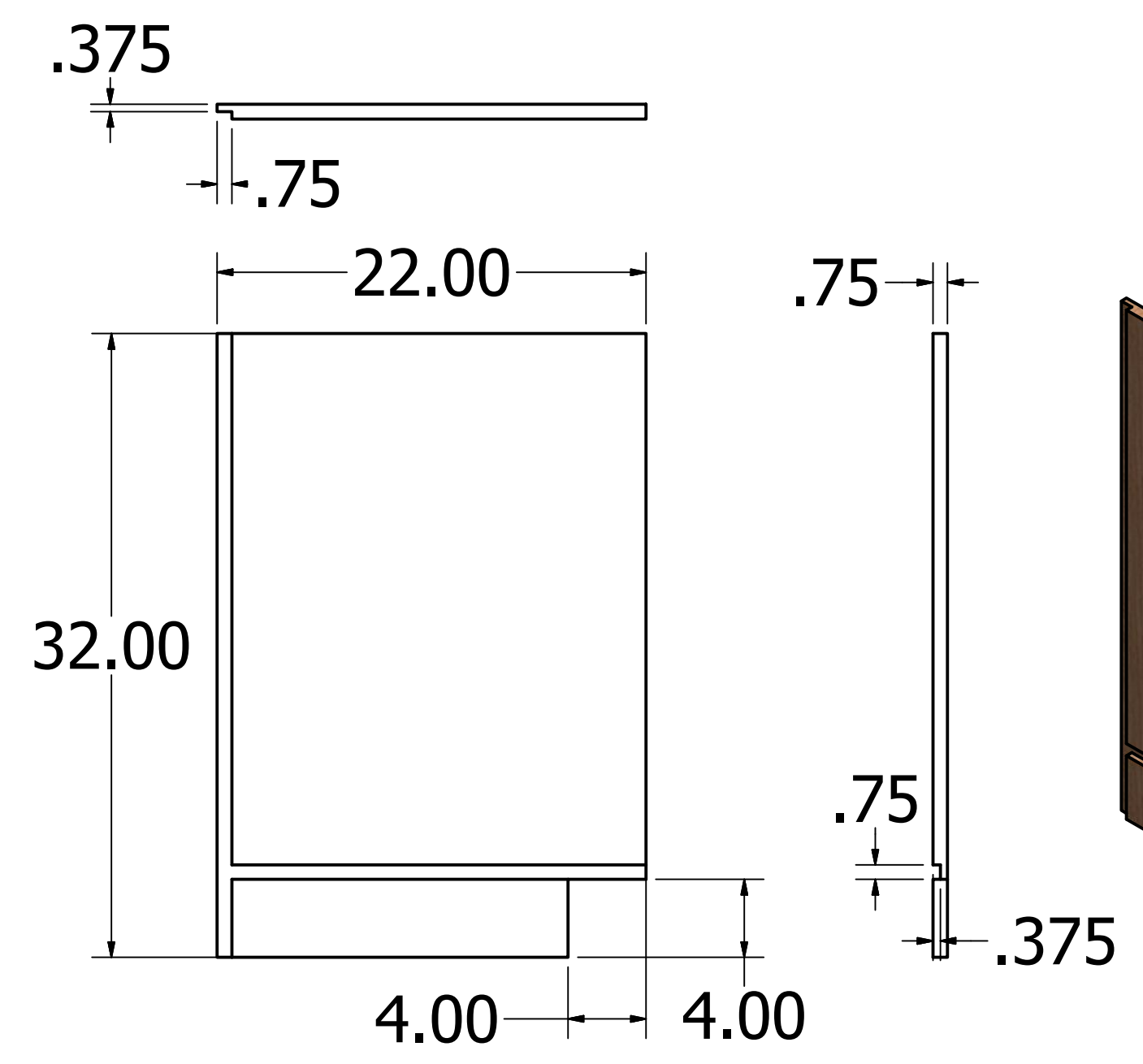
|              |           |  |           |                |
|--------------|-----------|--|-----------|----------------|
| Kevin Culver | 4/21/2019 | <a href="https://kevswoodworks.com">https://kevswoodworks.com</a><br>MyBenchTime@gmail.com |           |                |
|              |           | TITLE  |           |                |
|              |           | Lathe Cabinet  |           |                |
|              |           | SIZE   | DWG NO    | REV            |
|              |           | D  | Lathe_Cab |                |
|              |           | SCALE  | .2        | SHEET 10 OF 22 |

8 | 7 | 6 | 5 | 4 | 3 | 2 | 1



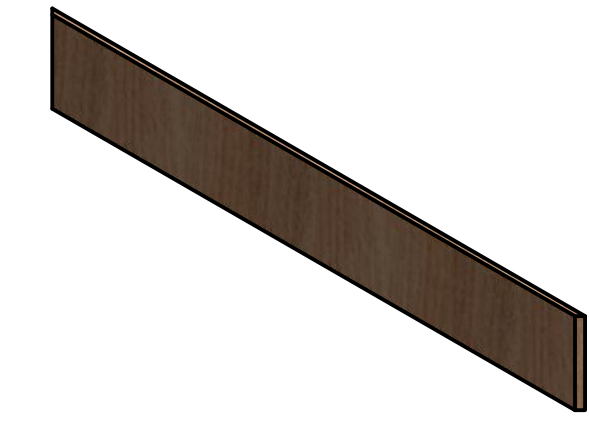
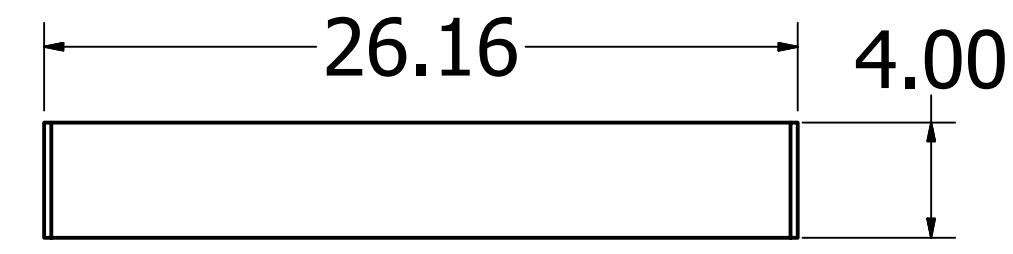
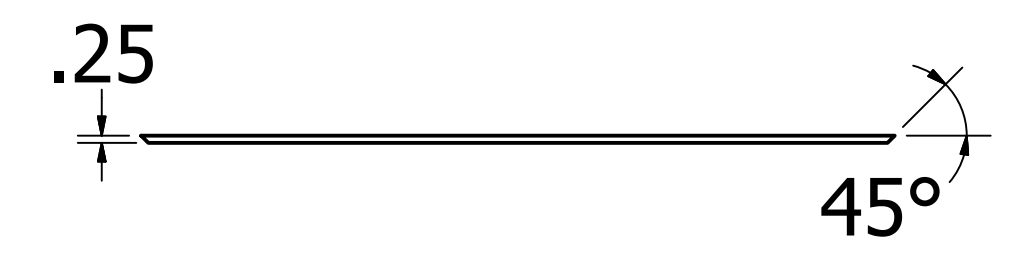
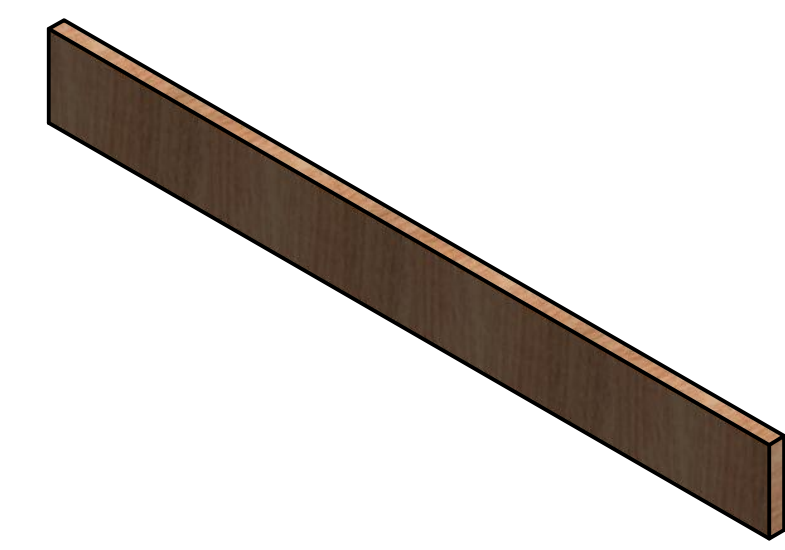
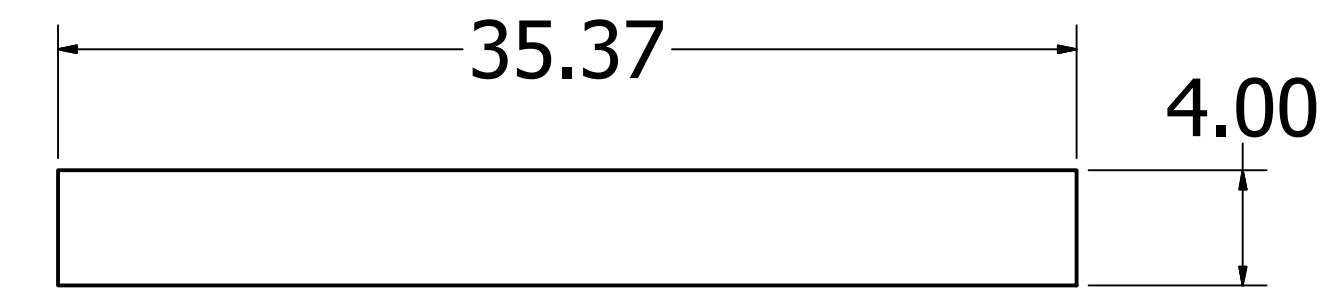
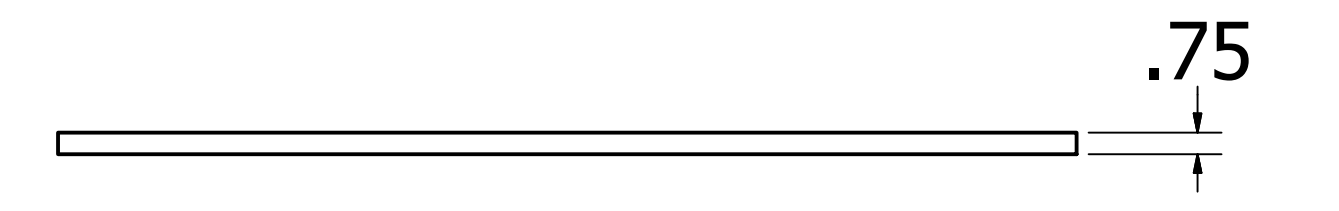
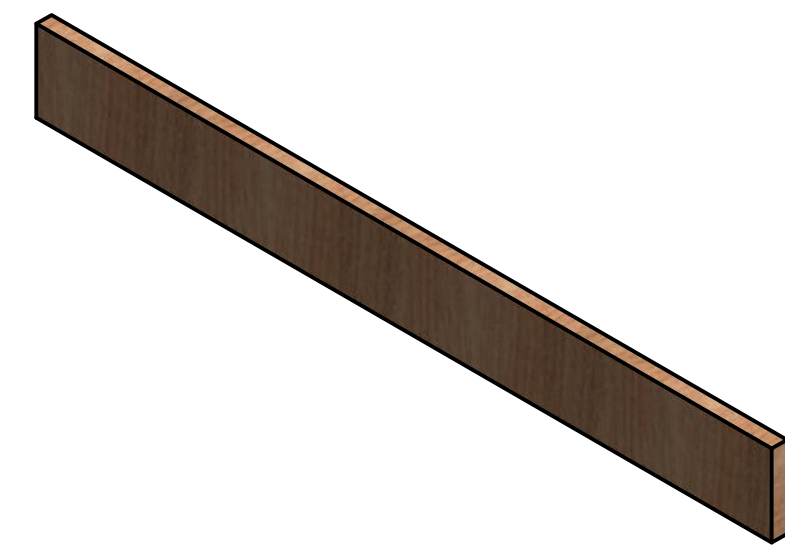
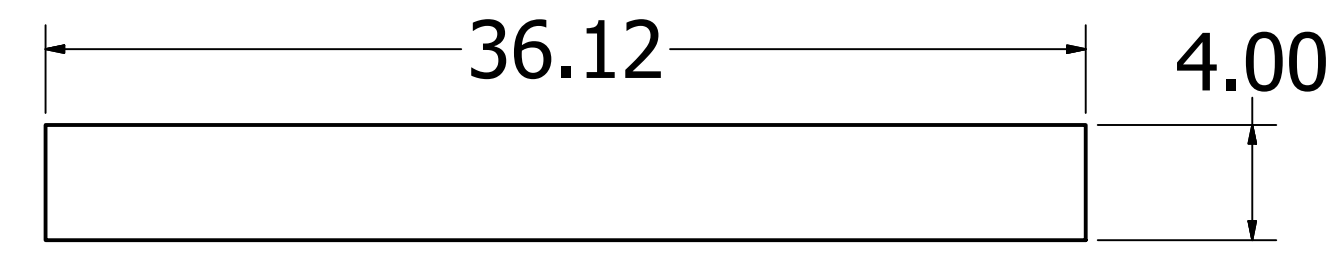
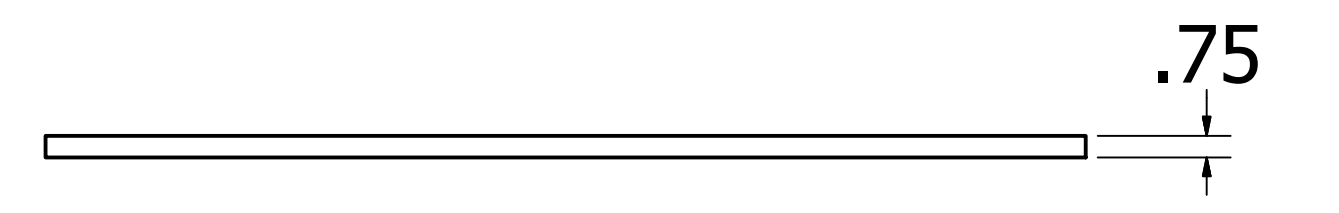
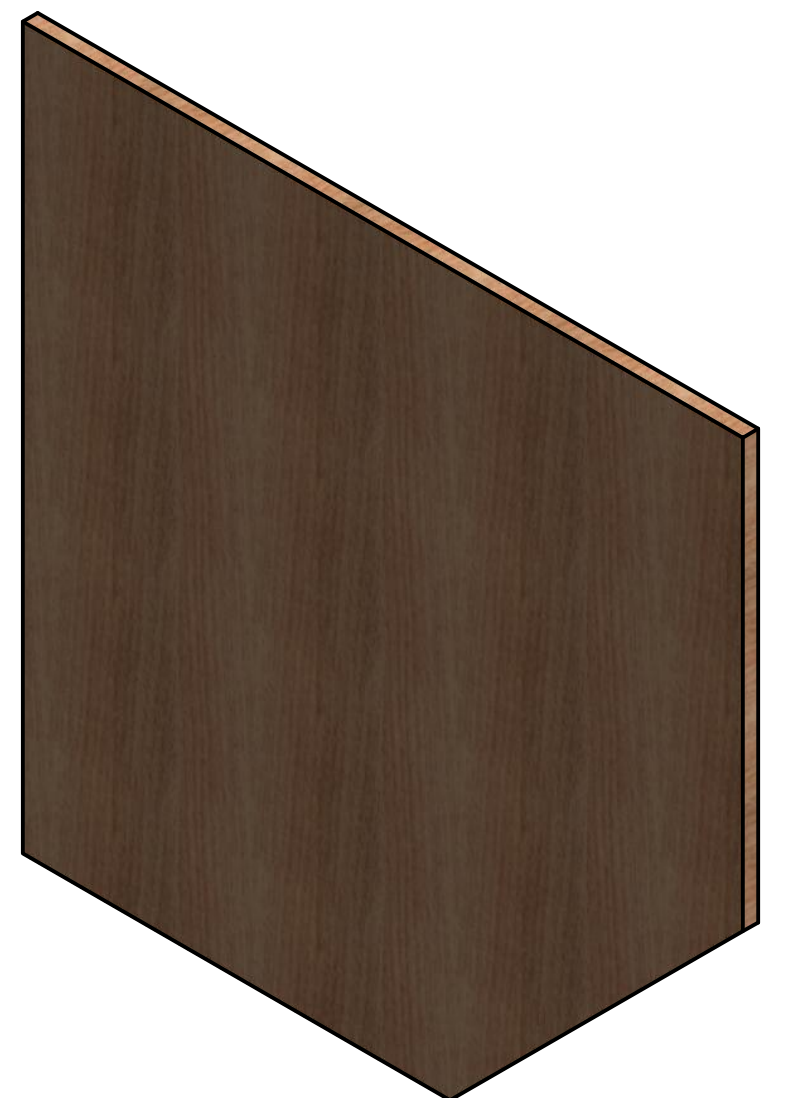
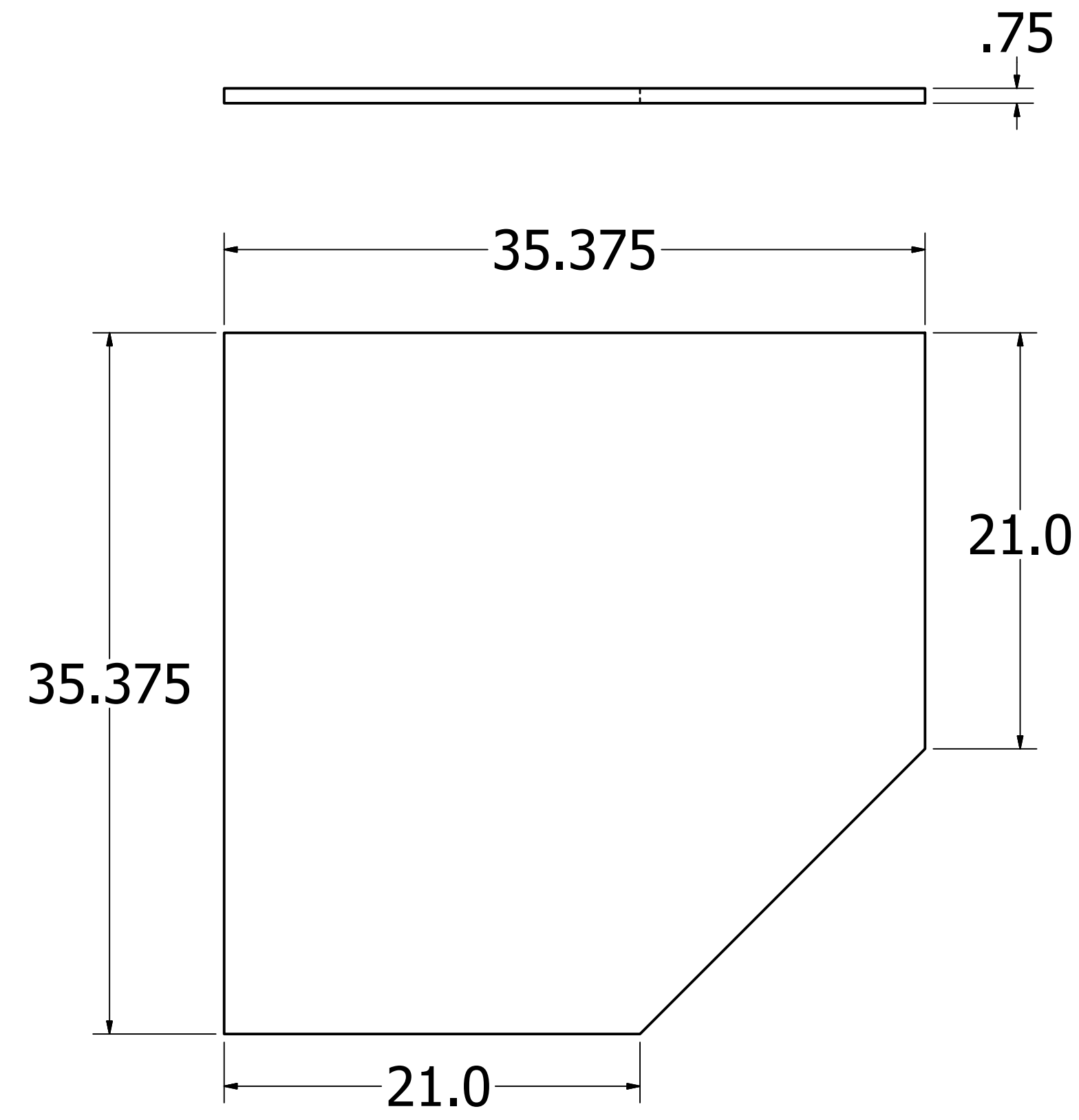
**CABINET 2 - ASSY**

|              |           |   |           |                |
|--------------|-----------|---|-----------|----------------|
| Kevin Culver | 4/21/2019 | <a href="https://kevswoodworks.com">https://kevswoodworks.com</a><br><a href="mailto:MyBenchTime@gmail.com">MyBenchTime@gmail.com</a> |           |                |
|              |           | TITLE   |           |                |
|              |           | Lathe Cabinet   |           |                |
|              |           | SIZE  | DWG NO    | REV            |
|              |           | D   | Lathe_Cab |                |
|              |           | SCALE   | .15       | SHEET 11 OF 22 |



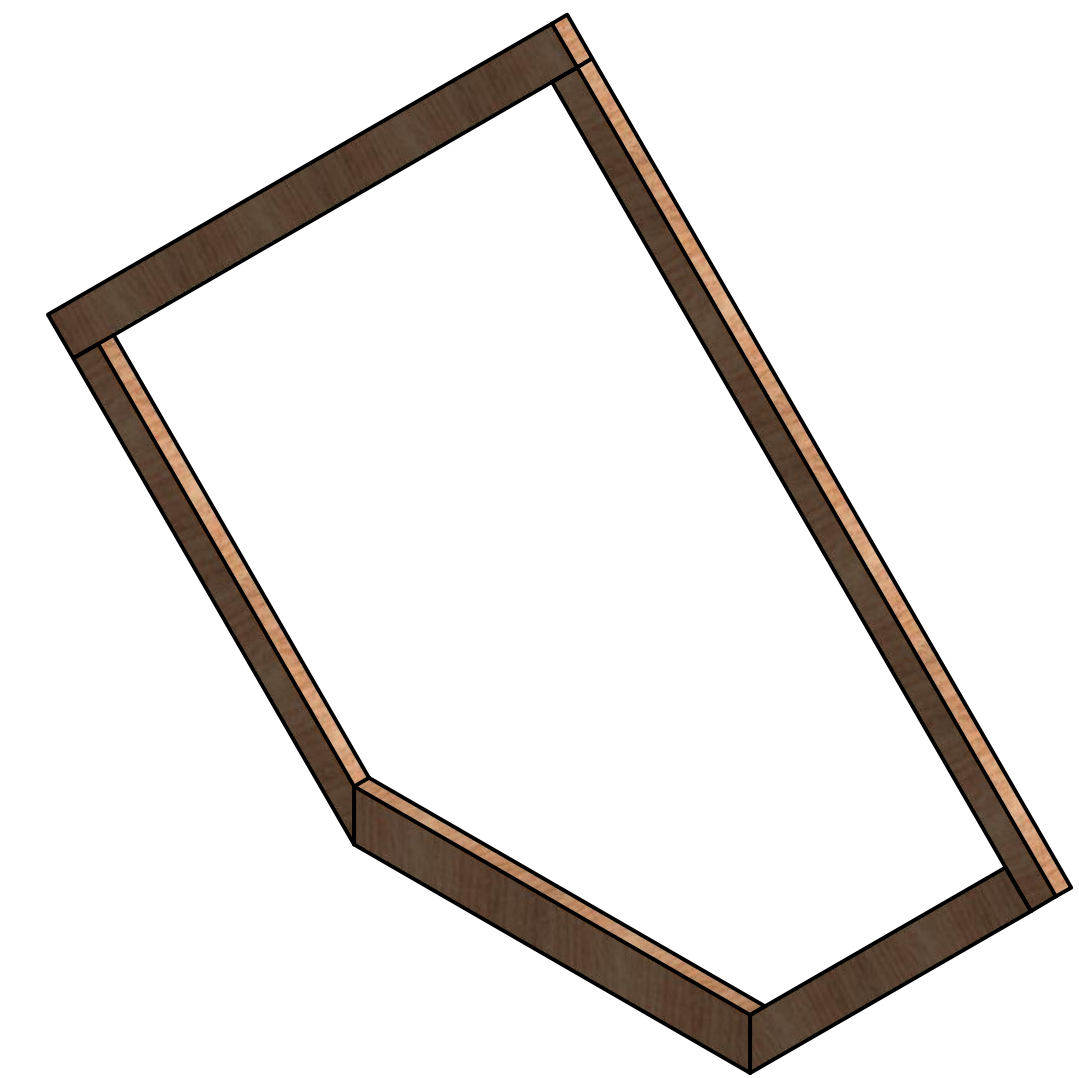
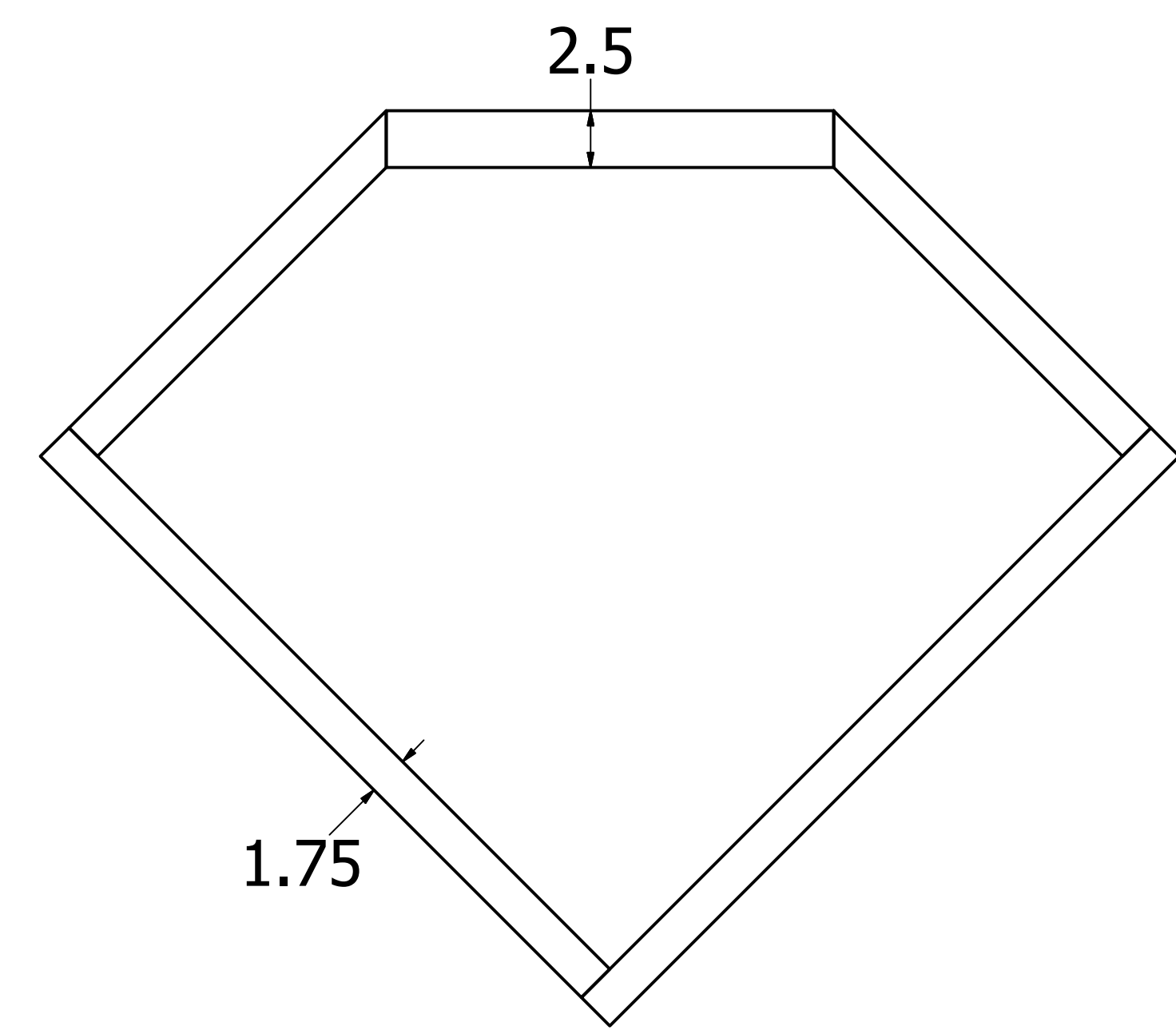
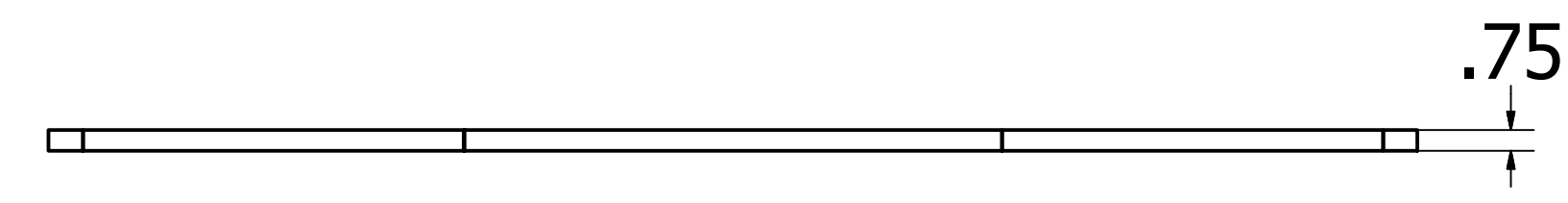
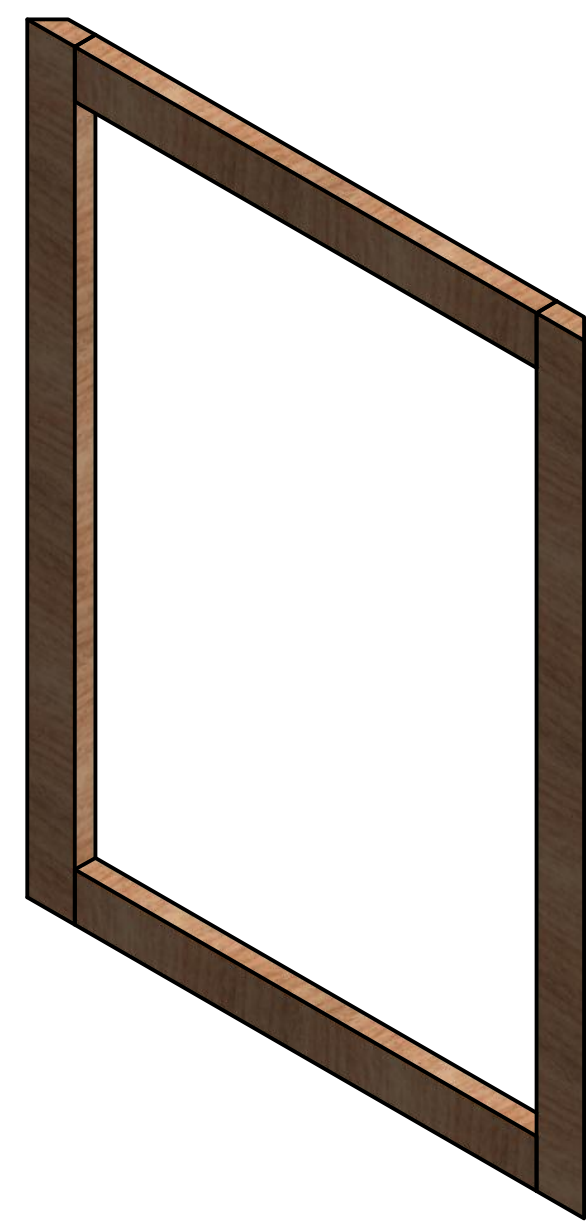
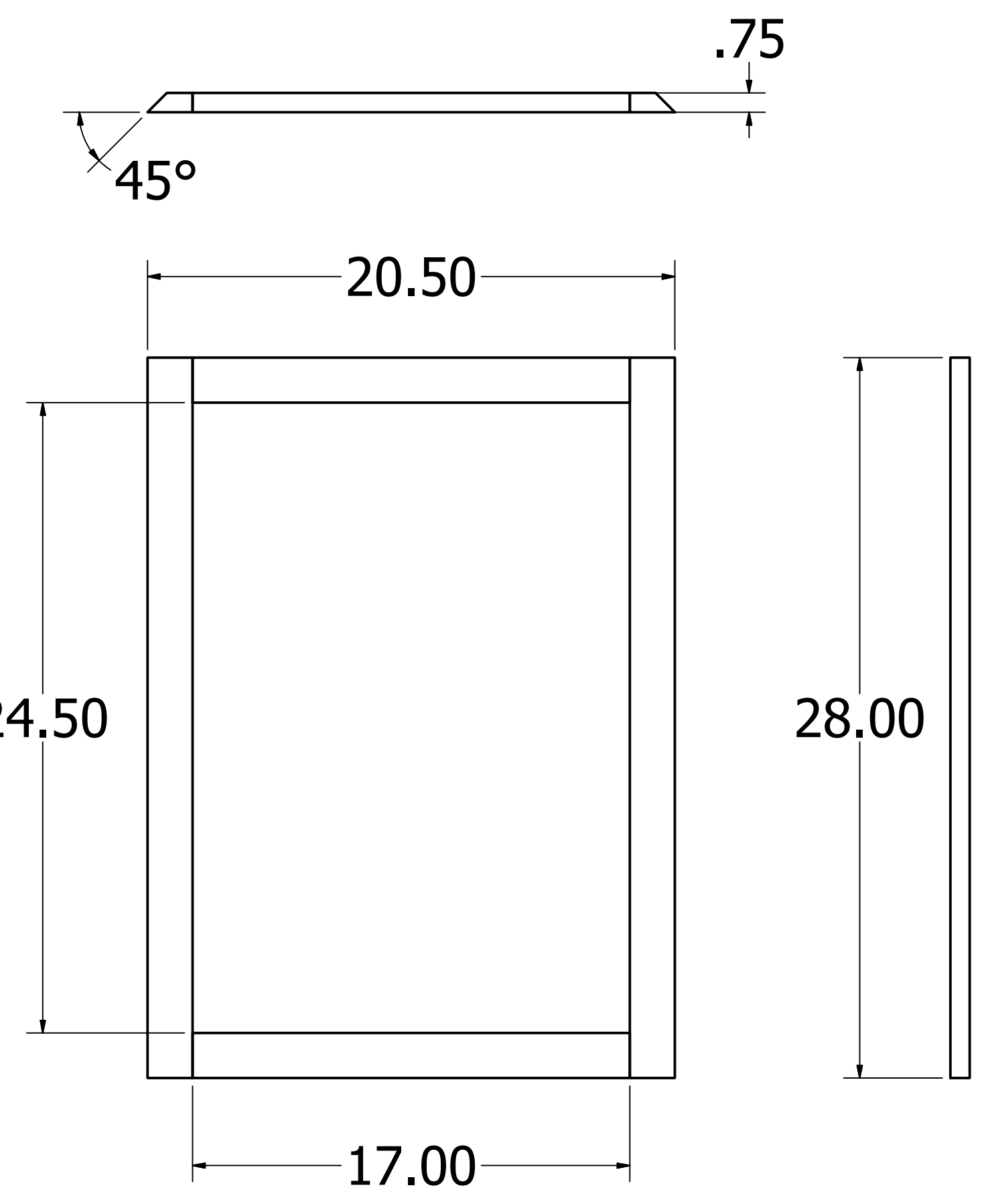
CAB 2 - SIDE AND BACK PARTS

|              |           |  |           |                |
|--------------|-----------|--|-----------|----------------|
| Kevin Culver | 4/21/2019 | <a href="https://kevswoodworks.com">https://kevswoodworks.com</a><br>MyBenchTime@gmail.com |           |                |
|              |           | TITLE  |           |                |
|              |           | Lathe Cabinet  |           |                |
|              |           | SIZE   | DWG NO    | REV            |
|              |           | D  | Lathe_Cab |                |
|              |           | SCALE  | .125      | SHEET 12 OF 22 |



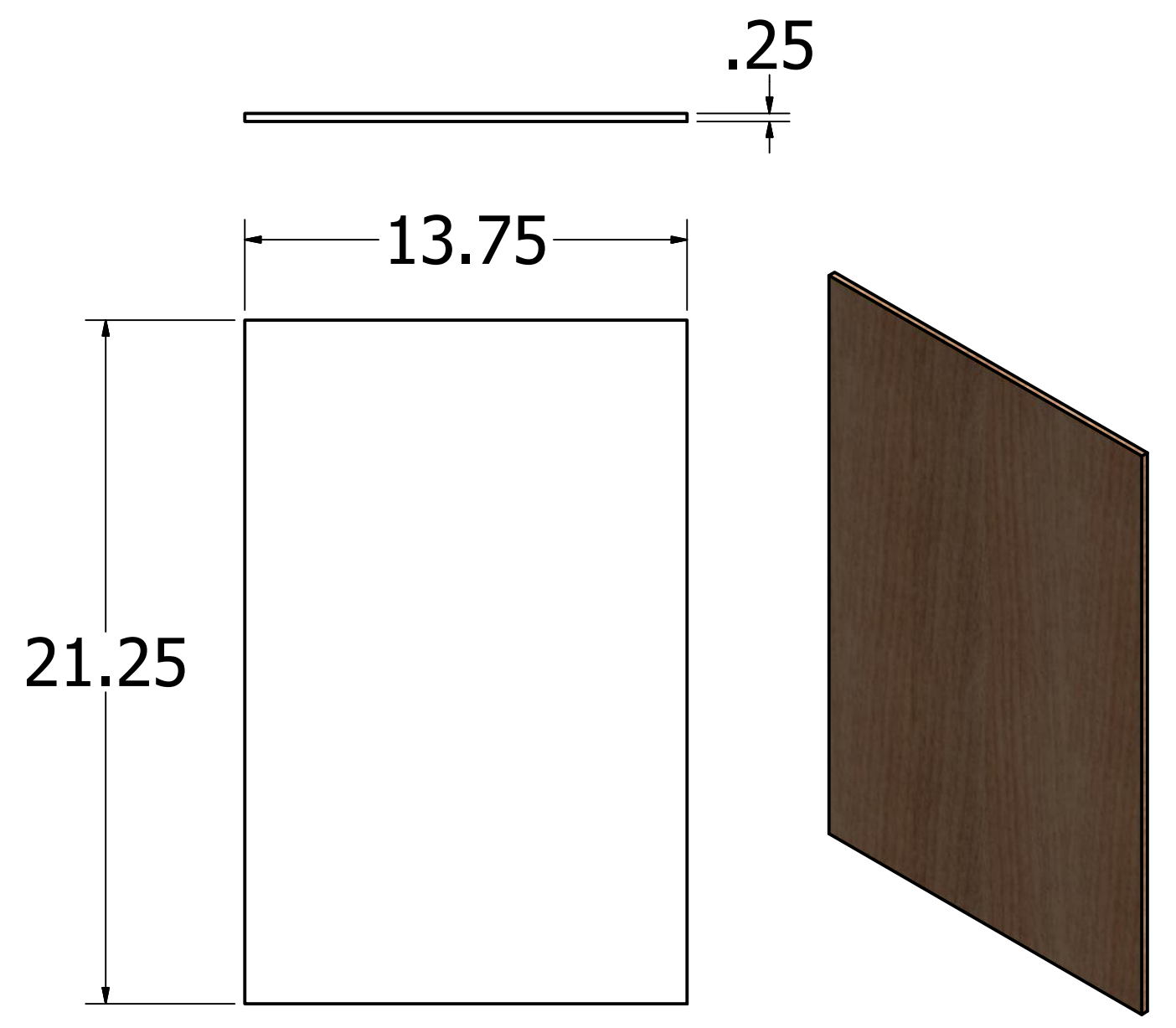
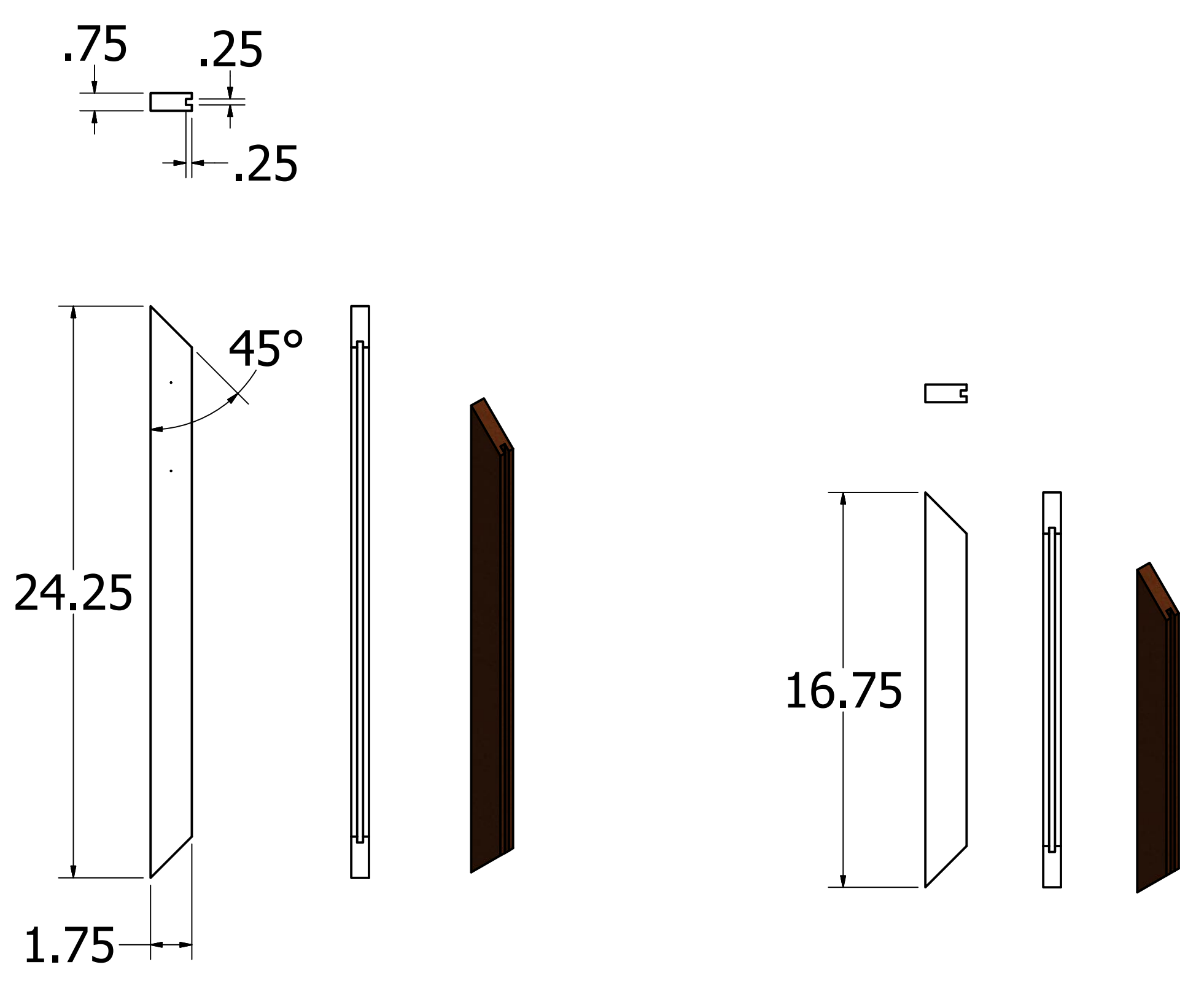
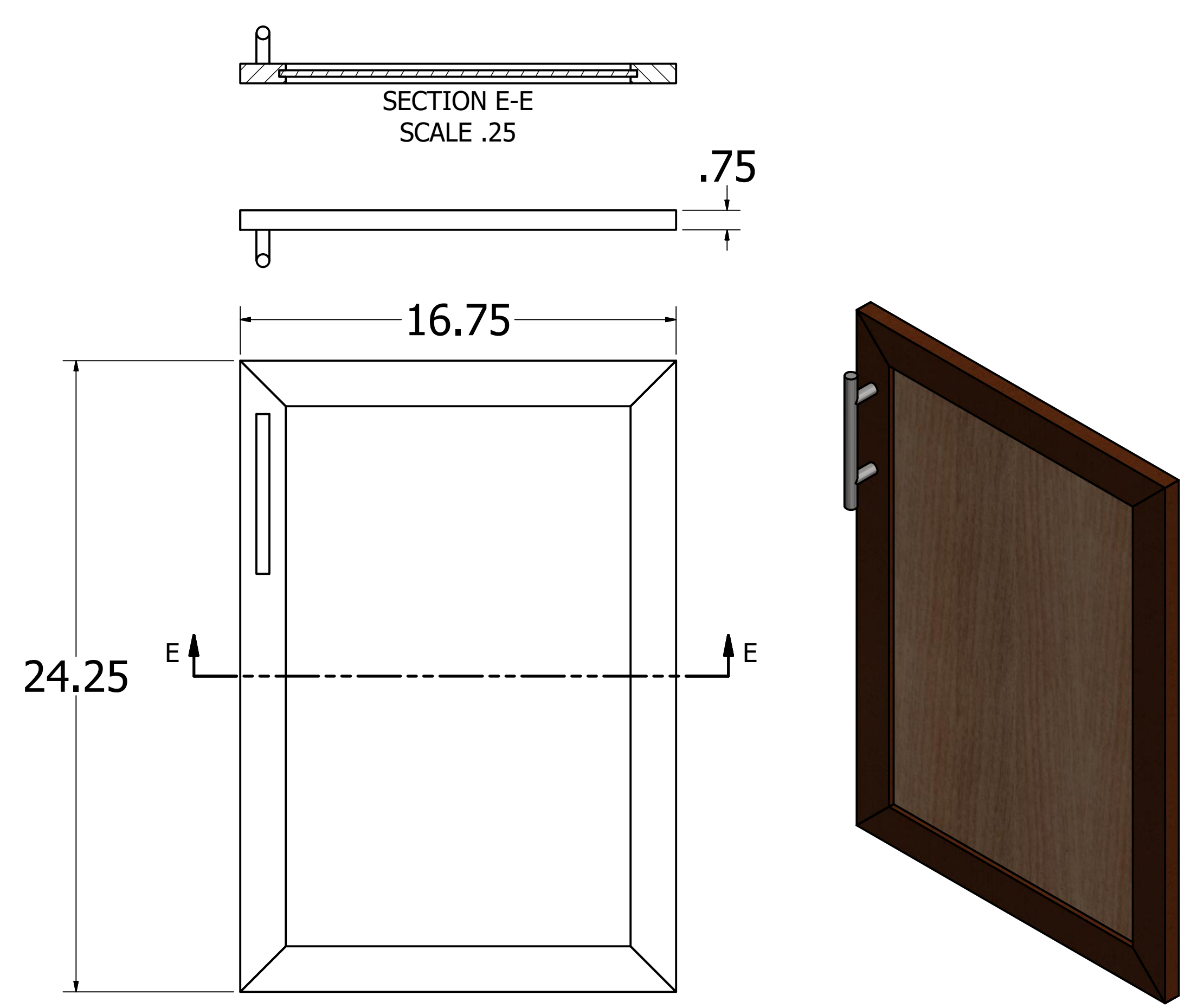
# CAB 2 - FLOOR, SIDE EXTENSIONS AND KICK PANEL

|              |           |  |           |                |
|--------------|-----------|--|-----------|----------------|
| Kevin Culver | 4/21/2019 | <a href="https://kevswoodworks.com">https://kevswoodworks.com</a><br>MyBenchTime@gmail.com |           |                |
|              |           | TITLE  |           |                |
|              |           | Lathe Cabinet  |           |                |
|              |           | SIZE   | DWG NO    | REV            |
|              |           | D  | Lathe_Cab |                |
|              |           | SCALE  | .15       | SHEET 13 OF 22 |



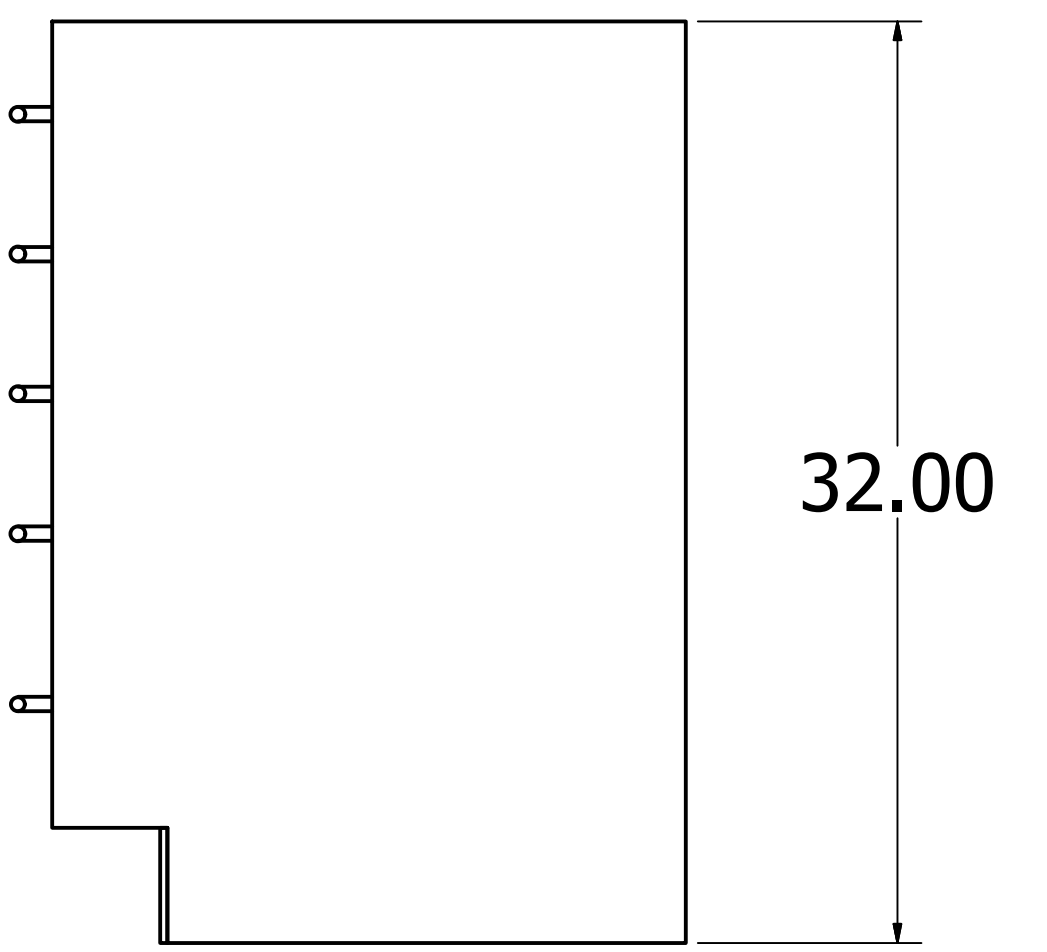
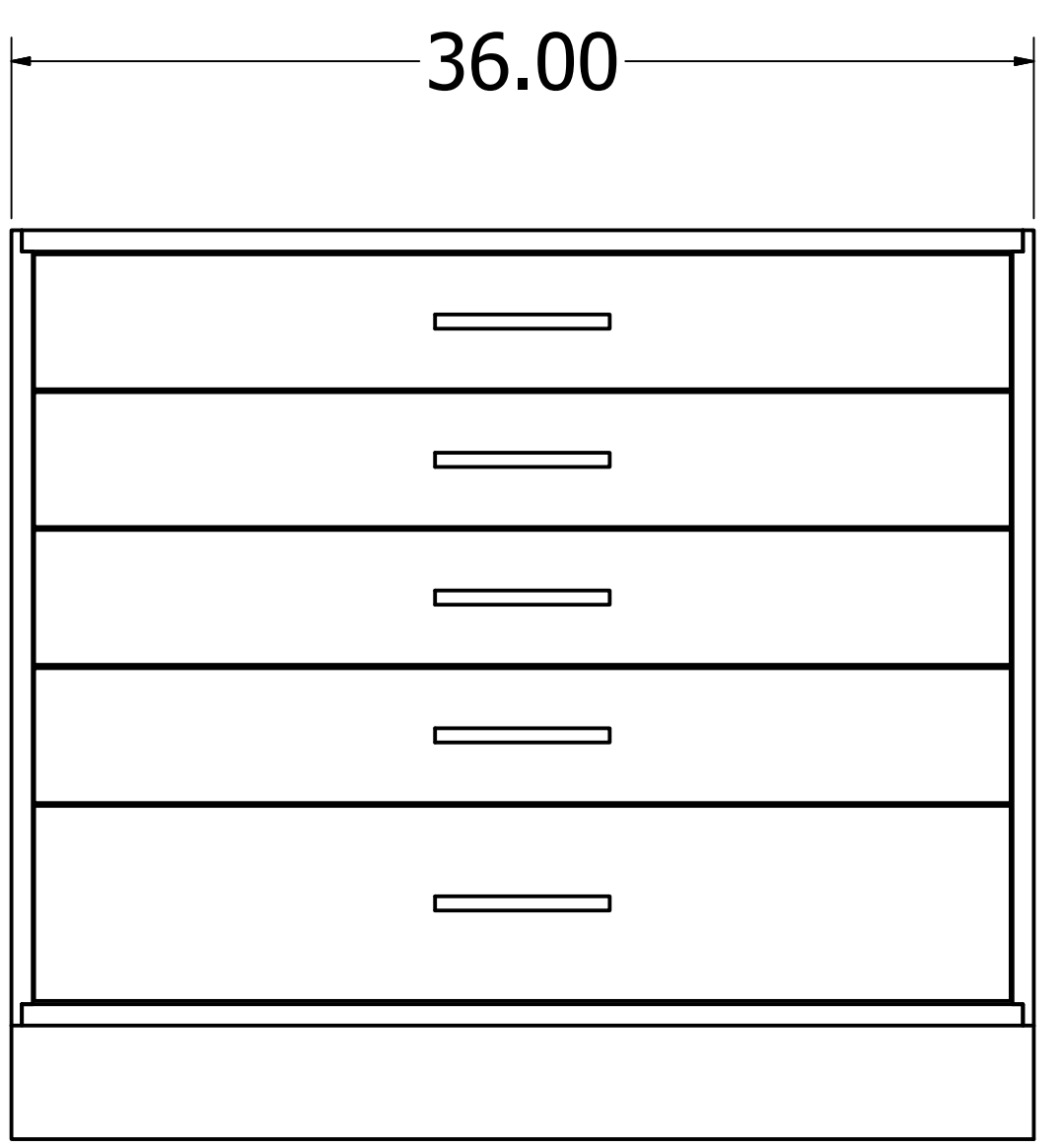
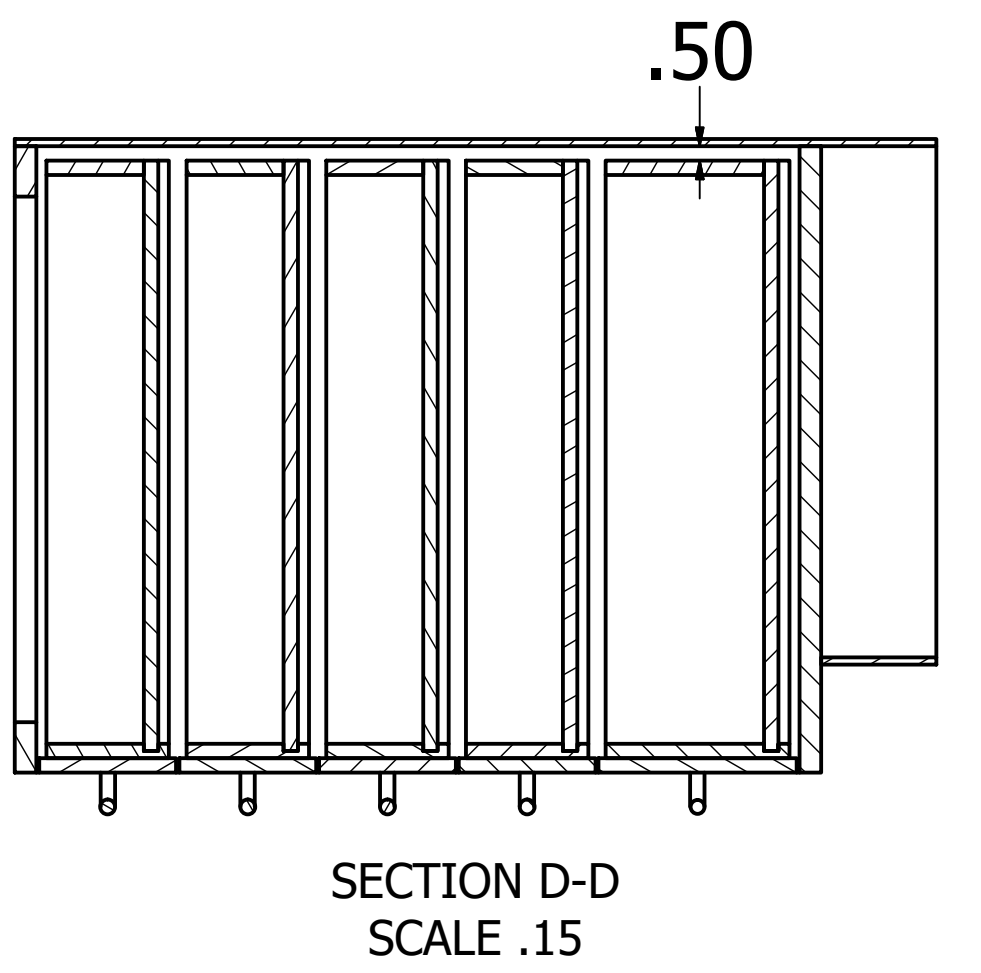
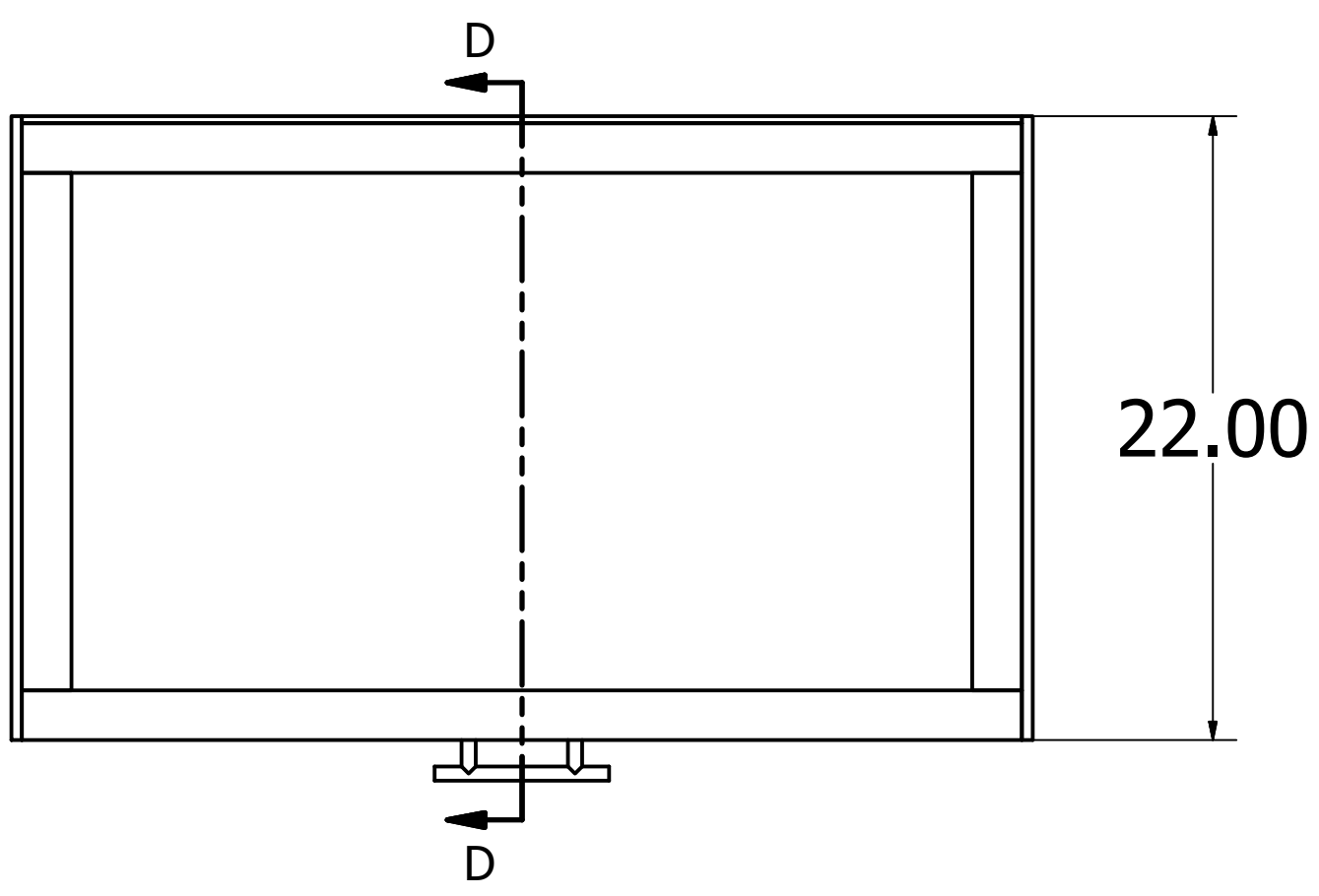
# CAB 2 - DOOR AND WEB FRAME

|              |           |  |           |                |
|--------------|-----------|--|-----------|----------------|
| Kevin Culver | 4/21/2019 | <a href="https://kevswoodworks.com">https://kevswoodworks.com</a><br>MyBenchTime@gmail.com |           |                |
|              |           | TITLE  |           |                |
|              |           | Lathe Cabinet  |           |                |
|              |           | SIZE   | DWG NO    | REV            |
|              |           | D  | Lathe_Cab |                |
|              |           | SCALE  | .2        | SHEET 14 OF 22 |



# CAB 2 - DOOR PARTS

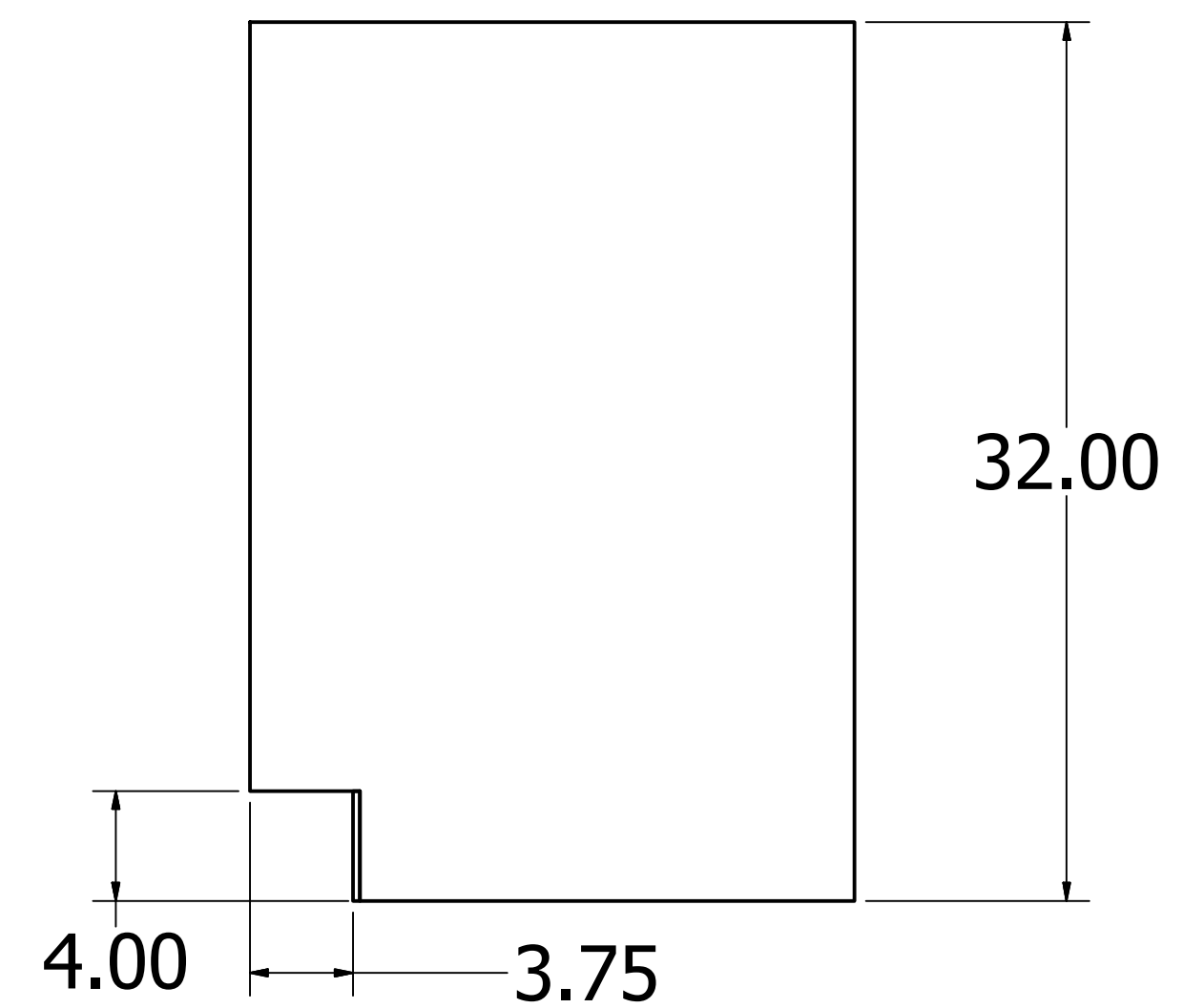
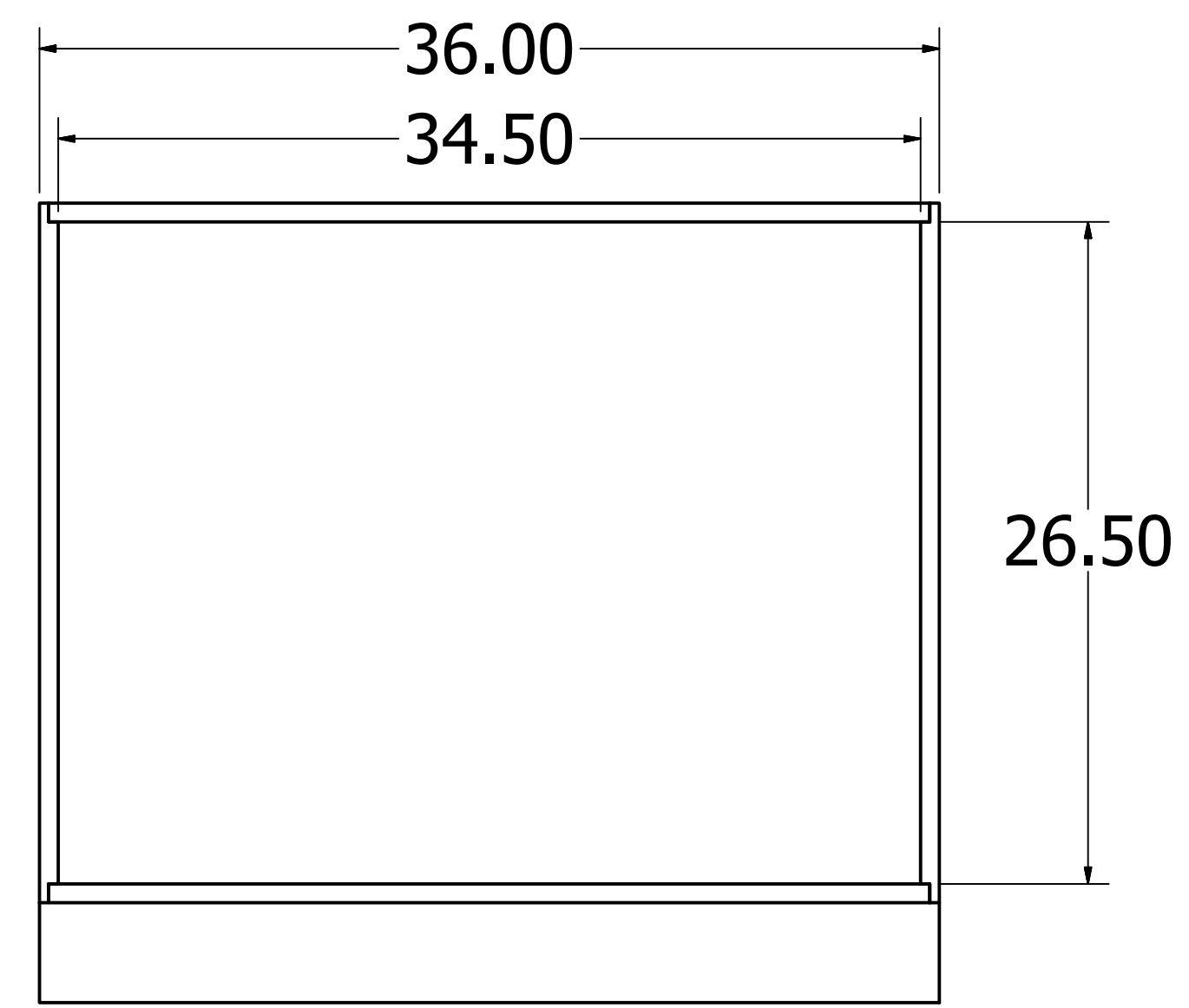
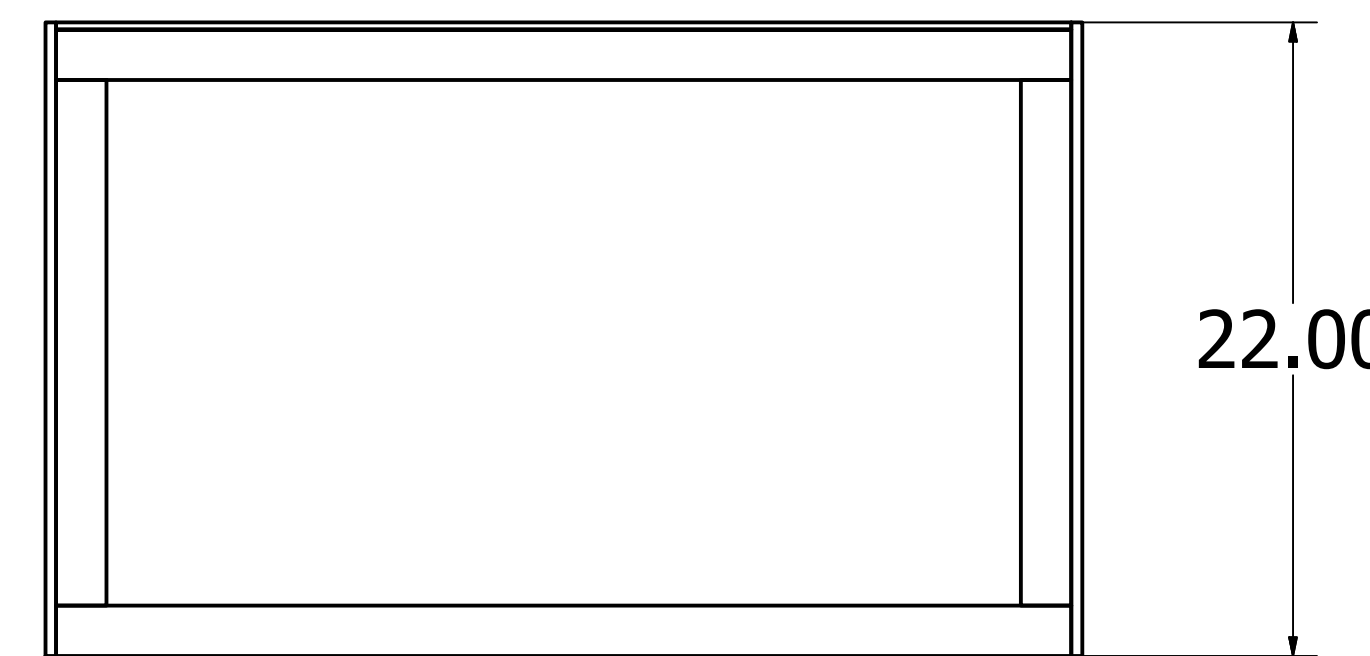
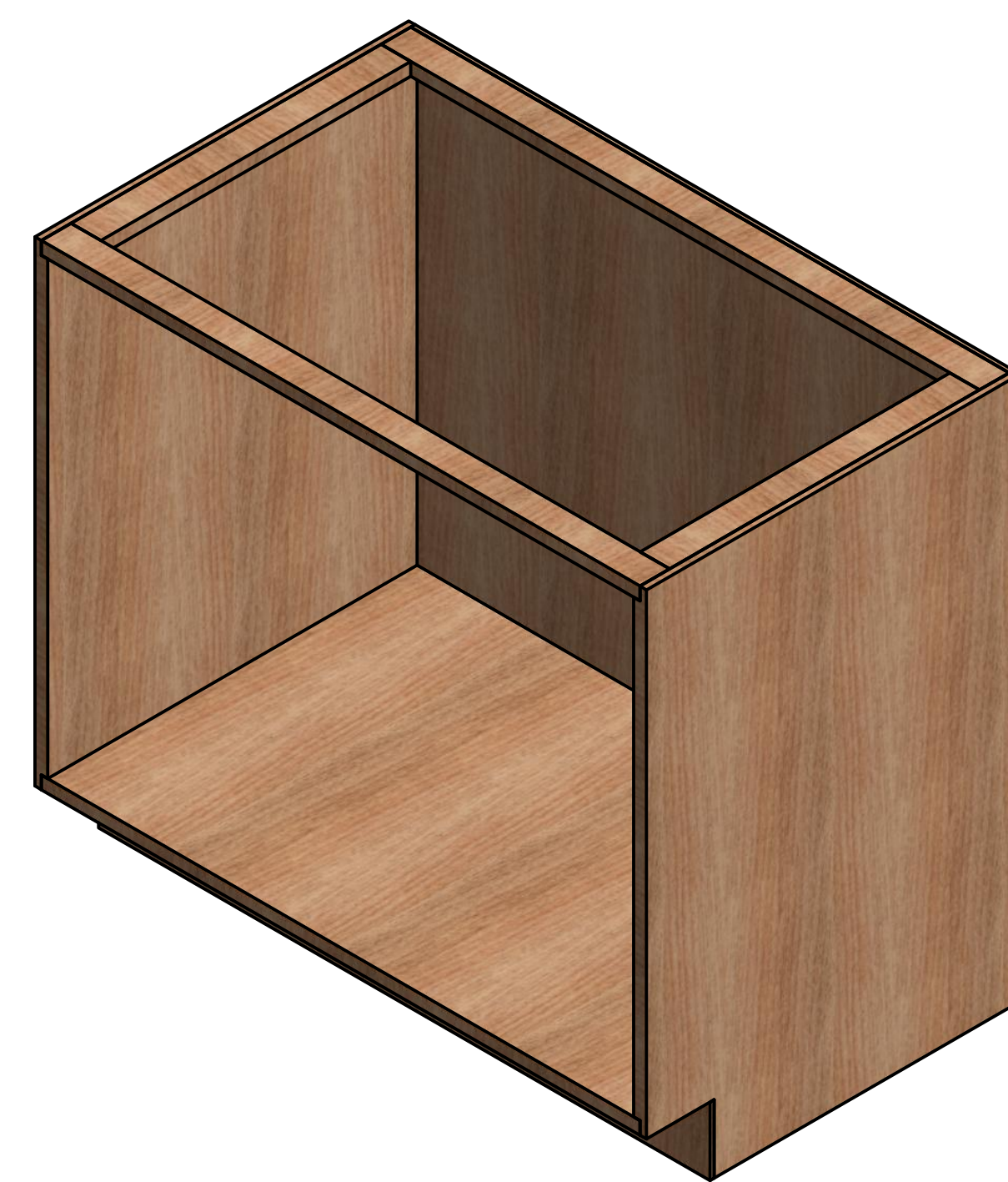
|              |           |   |           |
|--------------|-----------|---|-----------|
| Kevin Culver | 4/21/2019 | <a href="https://kevswoodworks.com">https://kevswoodworks.com</a> |           |
|              |           | MyBenchTime@gmail.com   |           |
|              |           | TITLE   |           |
|              |           | Lathe Cabinet   |           |
|              |           | SIZE  | DWG NO    |
|              |           | D   | Lathe_Cab |
|              |           | SCALE   | REV       |
|              |           | .25   |           |
|              |           | SHEET 15 OF 22  |           |



CAB 3 - ASSY

|              |           |  |           |                |
|--------------|-----------|--|-----------|----------------|
| Kevin Culver | 4/21/2019 | <a href="https://kevswoodworks.com">https://kevswoodworks.com</a><br>MyBenchTime@gmail.com |           |                |
|              |           | TITLE  |           |                |
|              |           | Lathe Cabinet  |           |                |
|              |           | SIZE   | DWG NO    | REV            |
|              |           | D  | Lathe_Cab |                |
|              |           | SCALE  | .15       | SHEET 16 OF 22 |





# CAB 3 - CABINET

|              |           |  |           |                |
|--------------|-----------|--|-----------|----------------|
| Kevin Culver | 4/21/2019 | <a href="https://kevswoodworks.com">https://kevswoodworks.com</a><br>MyBenchTime@gmail.com |           |                |
|              |           | TITLE  |           |                |
|              |           | Lathe Cabinet  |           |                |
|              |           | SIZE   | DWG NO    | REV            |
|              |           | D  | Lathe_Cab |                |
|              |           | SCALE  | .15       | SHEET 17 OF 22 |



8 7 6 5 4 3 2 1

D

D

C

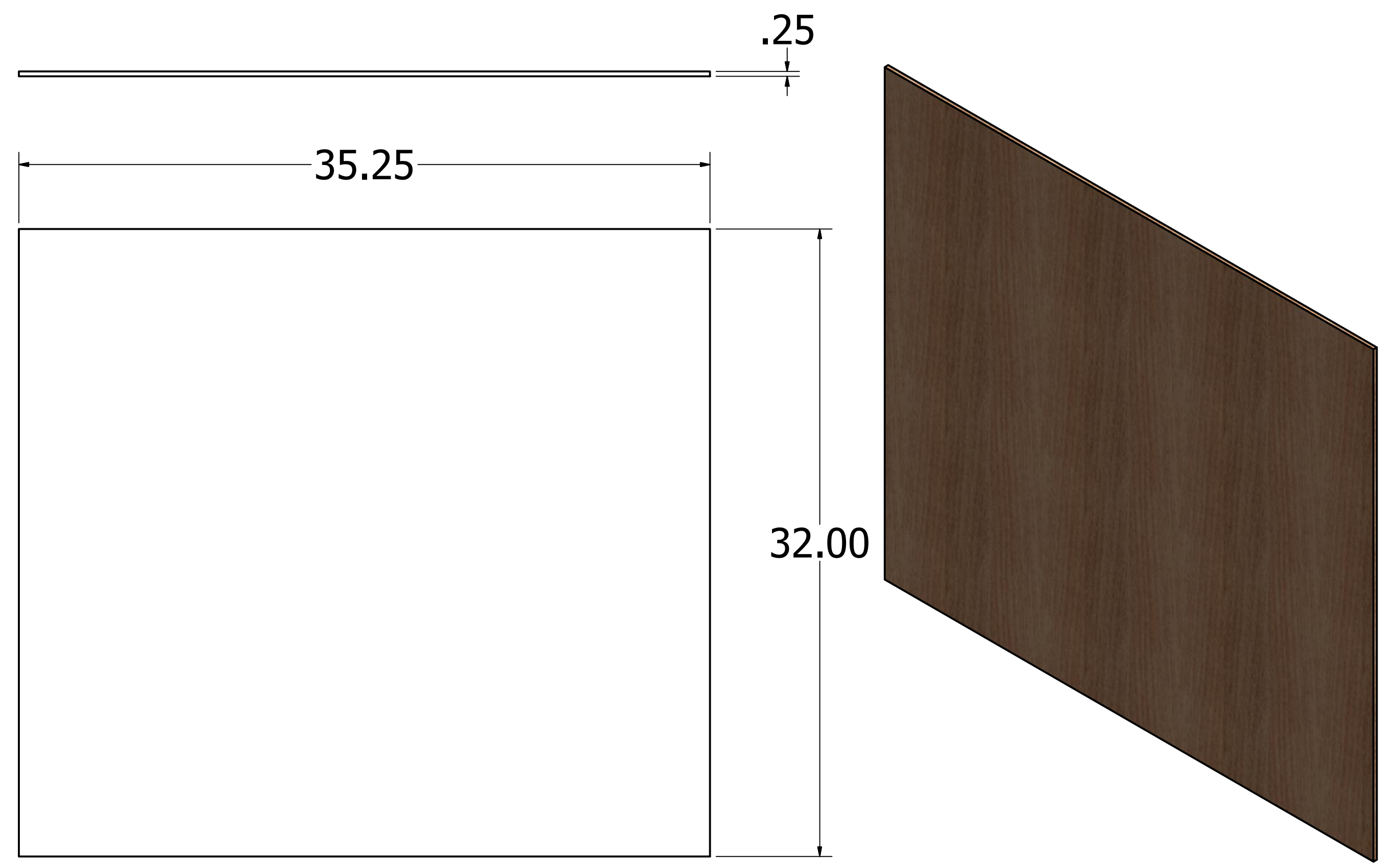
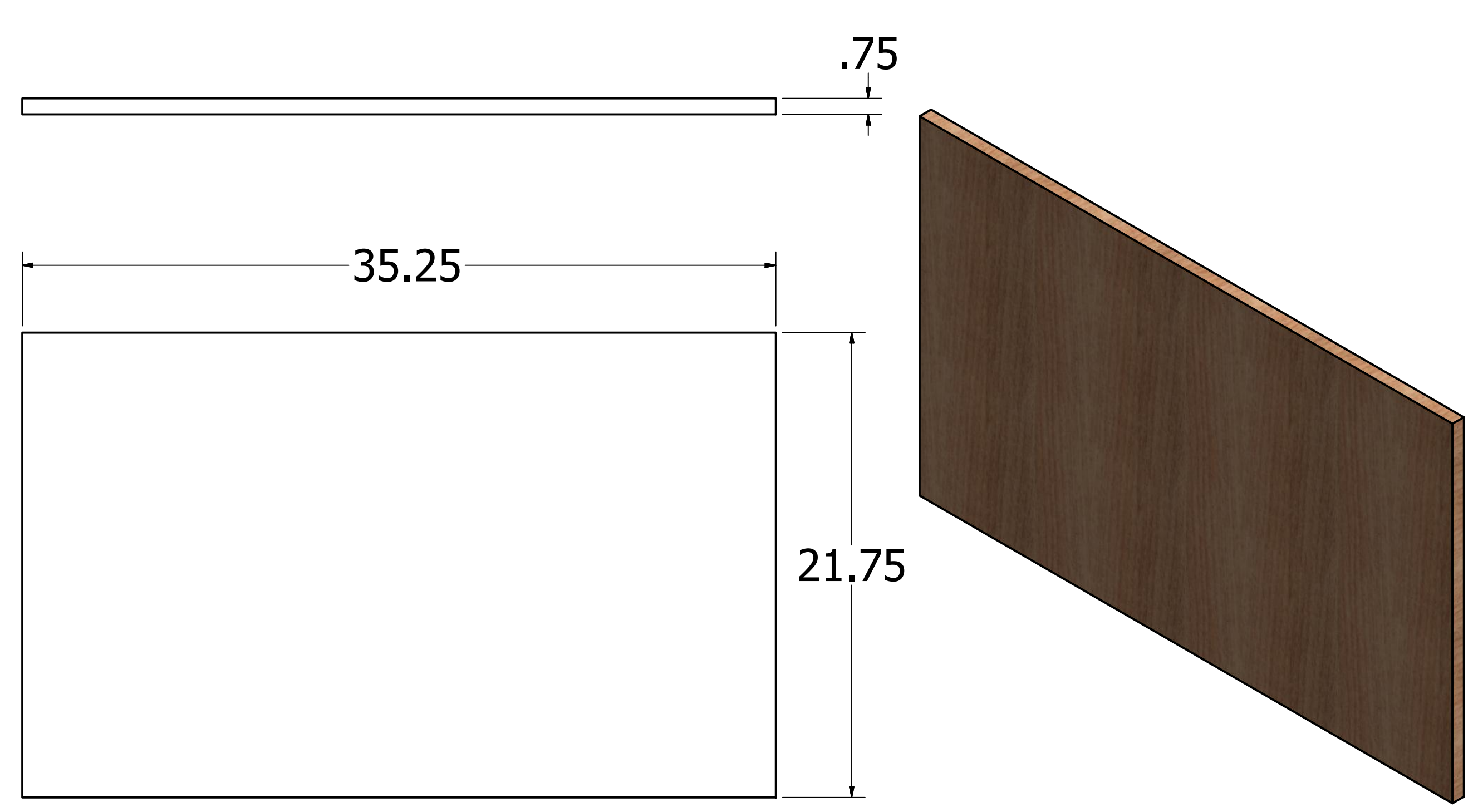
C

B

B

A

A



CAB 3 - BOTTOM AND BACK

|              |           |                           |           |
|--------------|-----------|---------------------------|-----------|
| Kevin Culver | 4/21/2019 | https://kevswoodworks.com |           |
|              |           | MyBenchTime@gmail.com     |           |
|              |           | TITLE                     |           |
|              |           | Lathe Cabinet             |           |
|              |           | SIZE                      | DWG NO    |
|              |           | D                         | Lathe_Cab |
|              |           | SCALE                     | REV       |
|              |           | .2                        |           |
|              |           | SHEET 18 OF 22            |           |

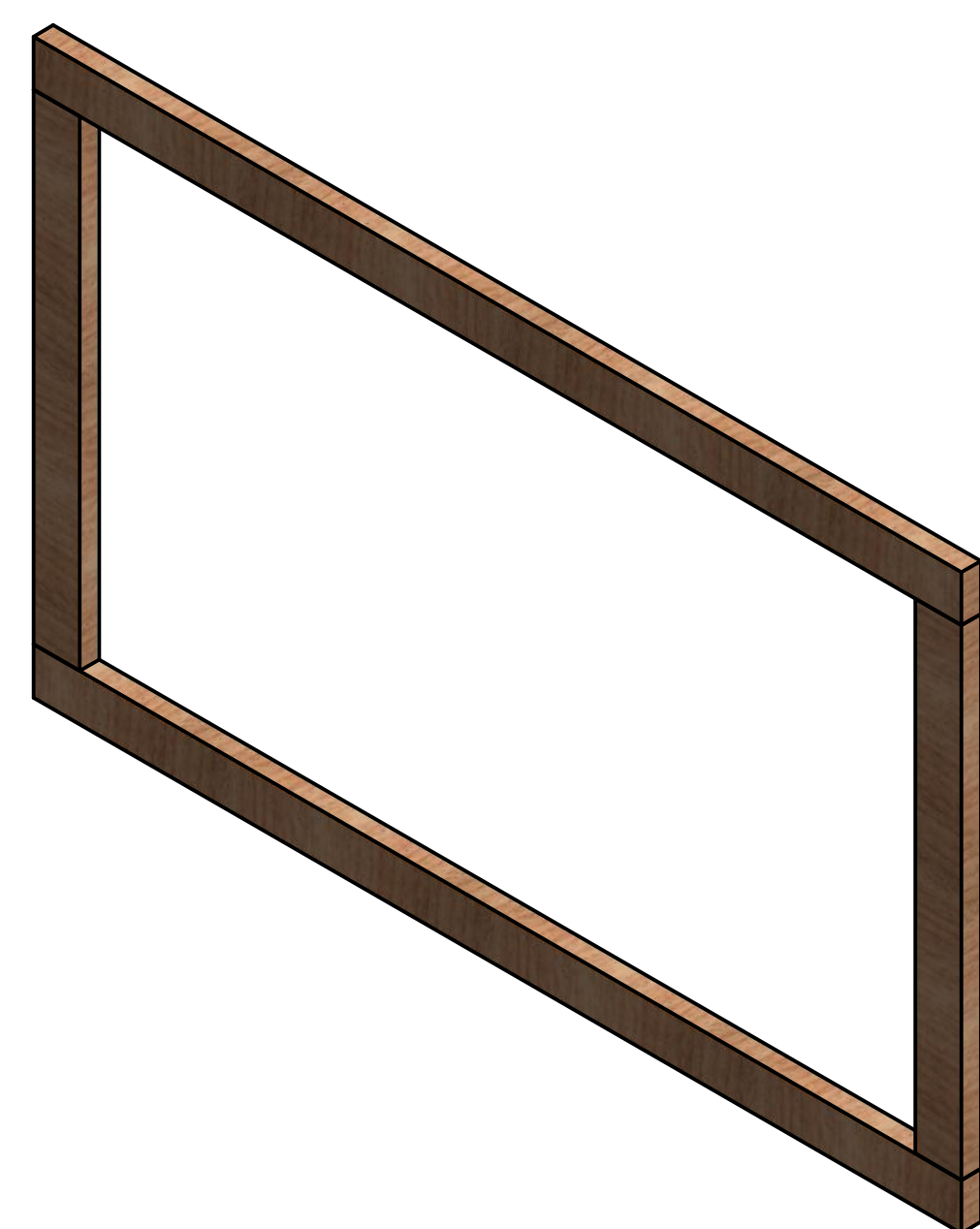
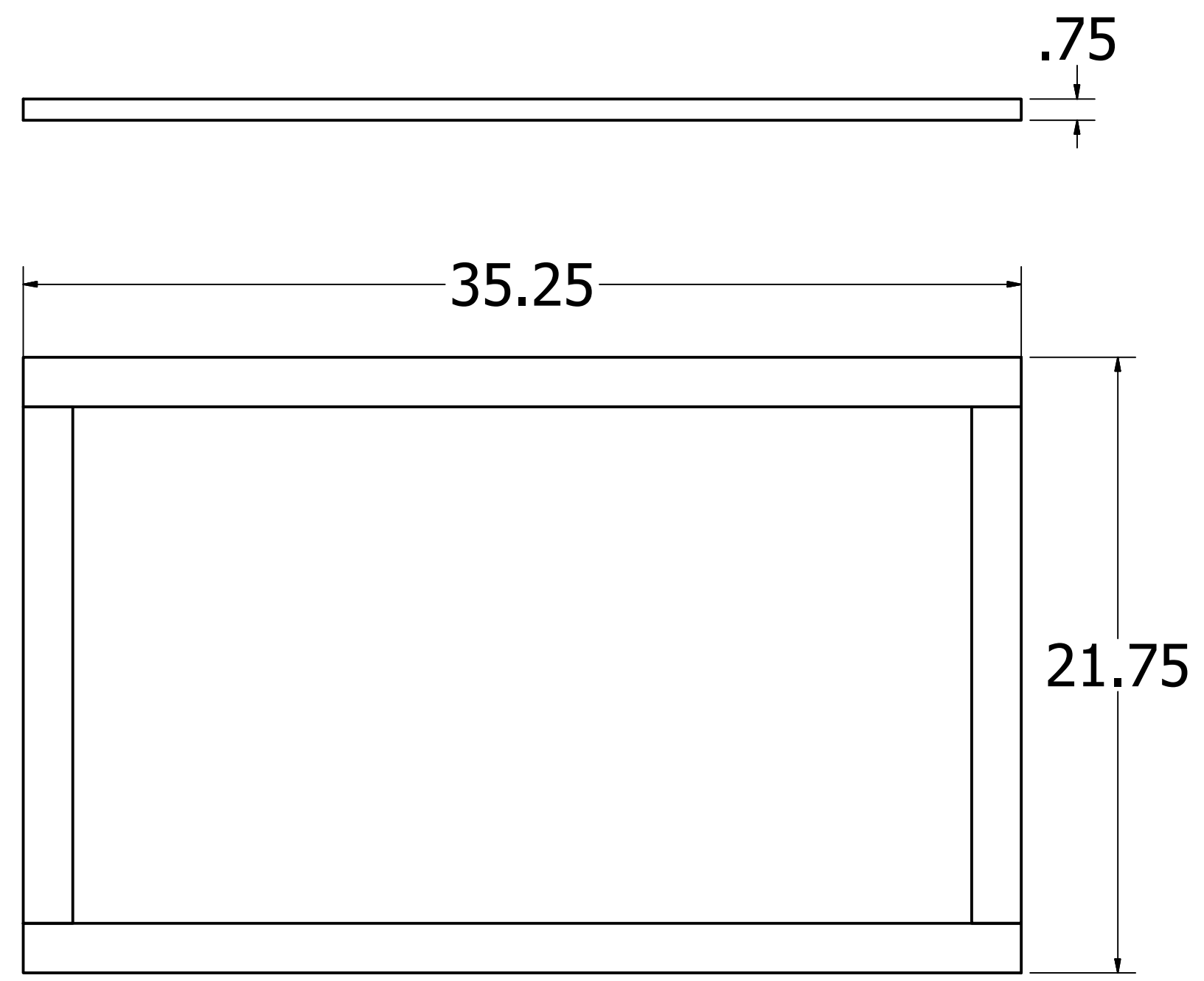
8 7 6 5 4 3 2 1



8 7 6 5 4 3 2 1

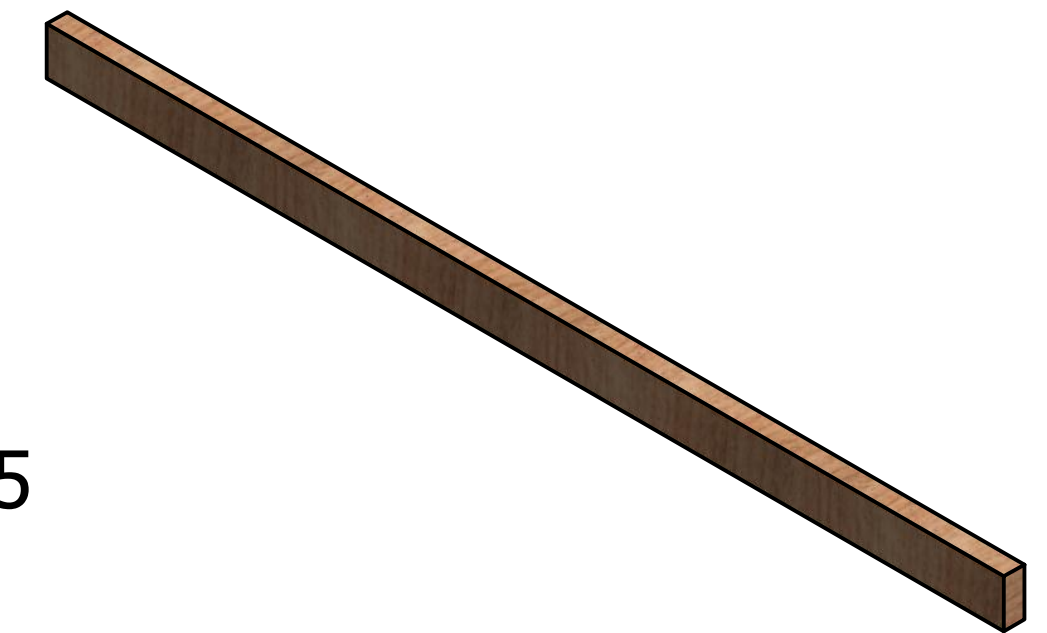
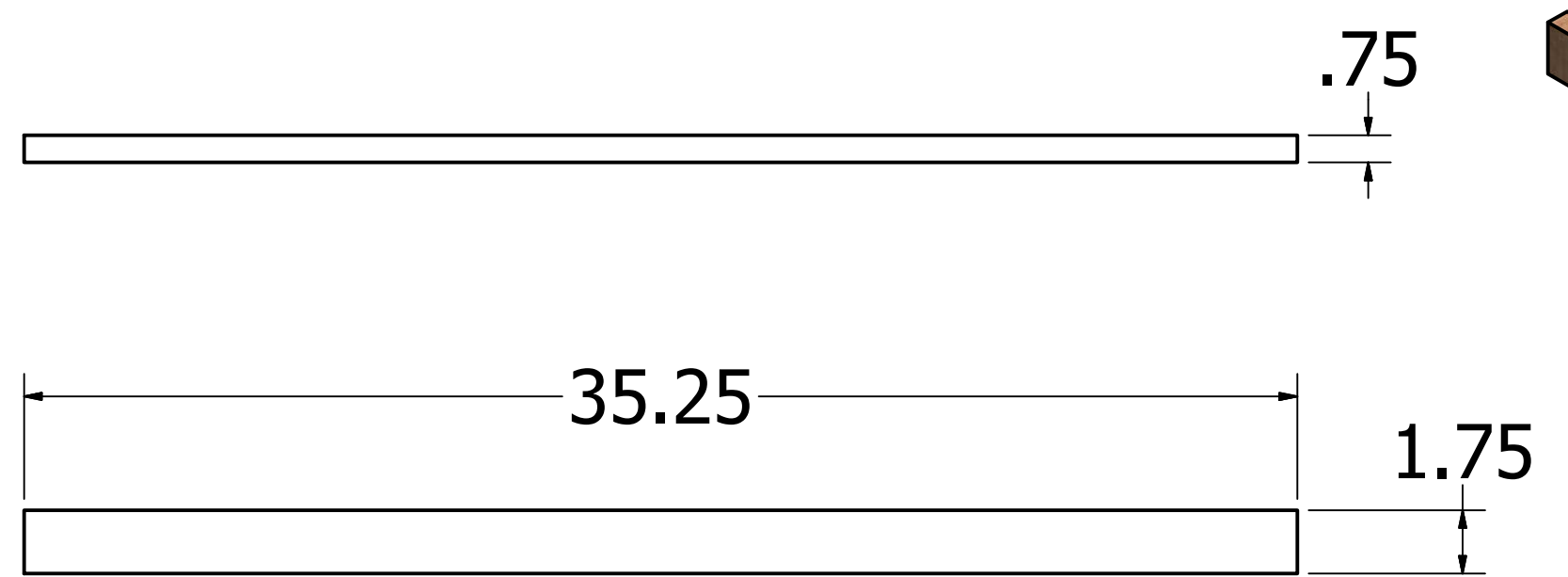
D

D



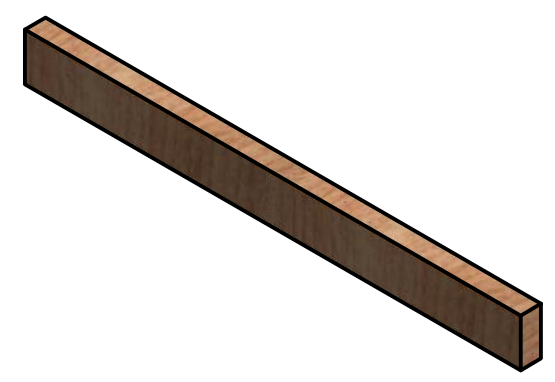
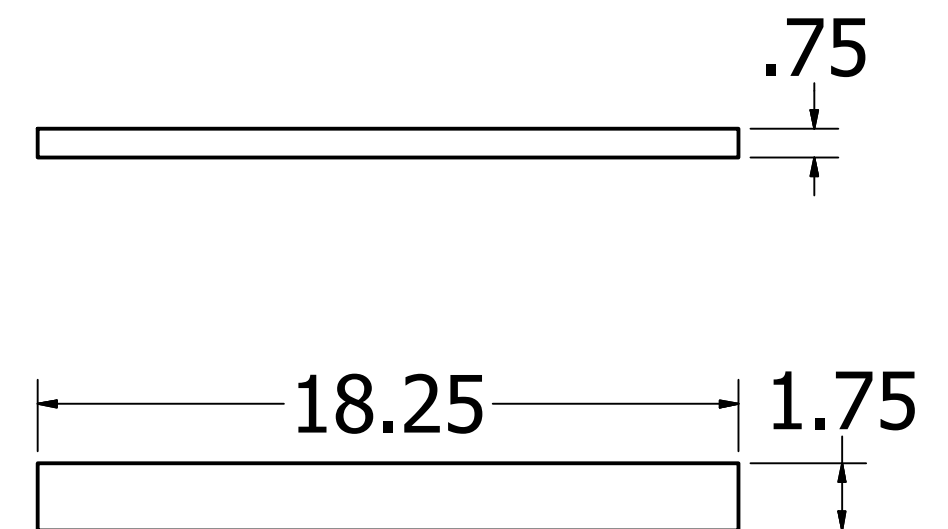
C

C



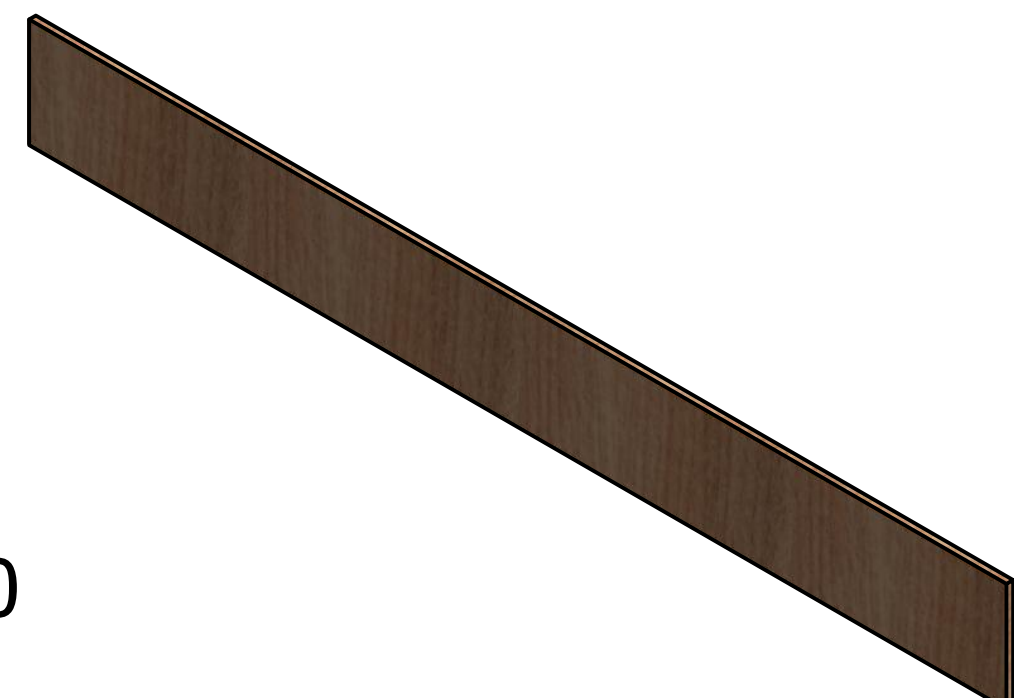
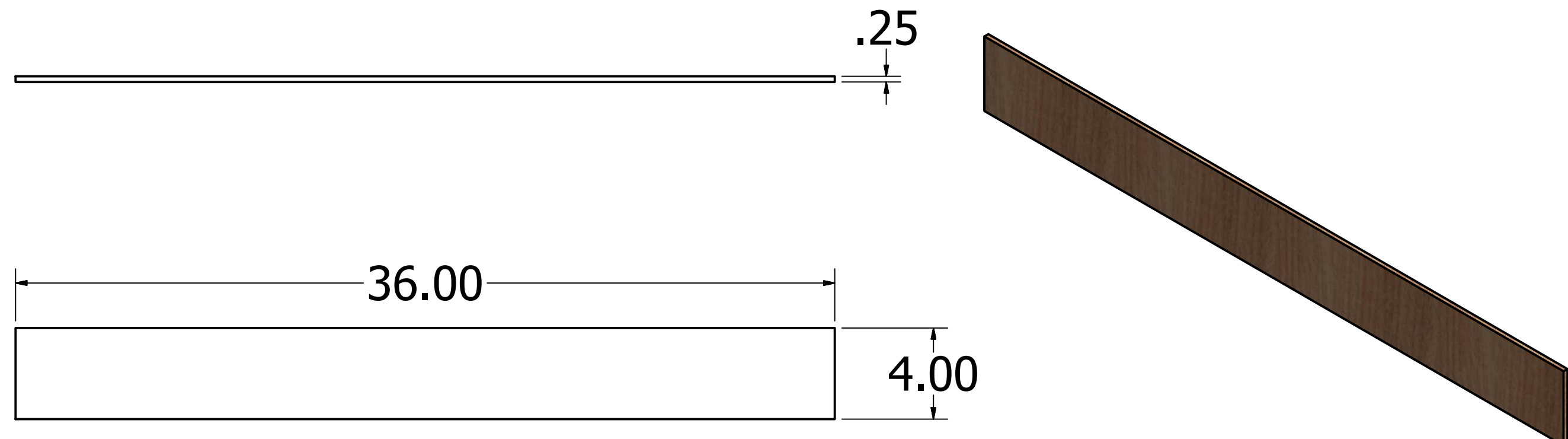
B

B



A

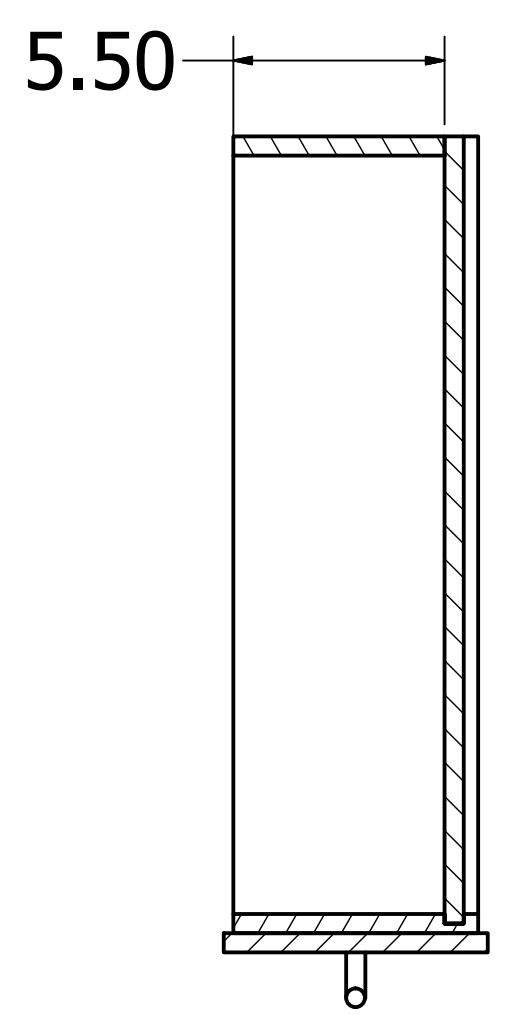
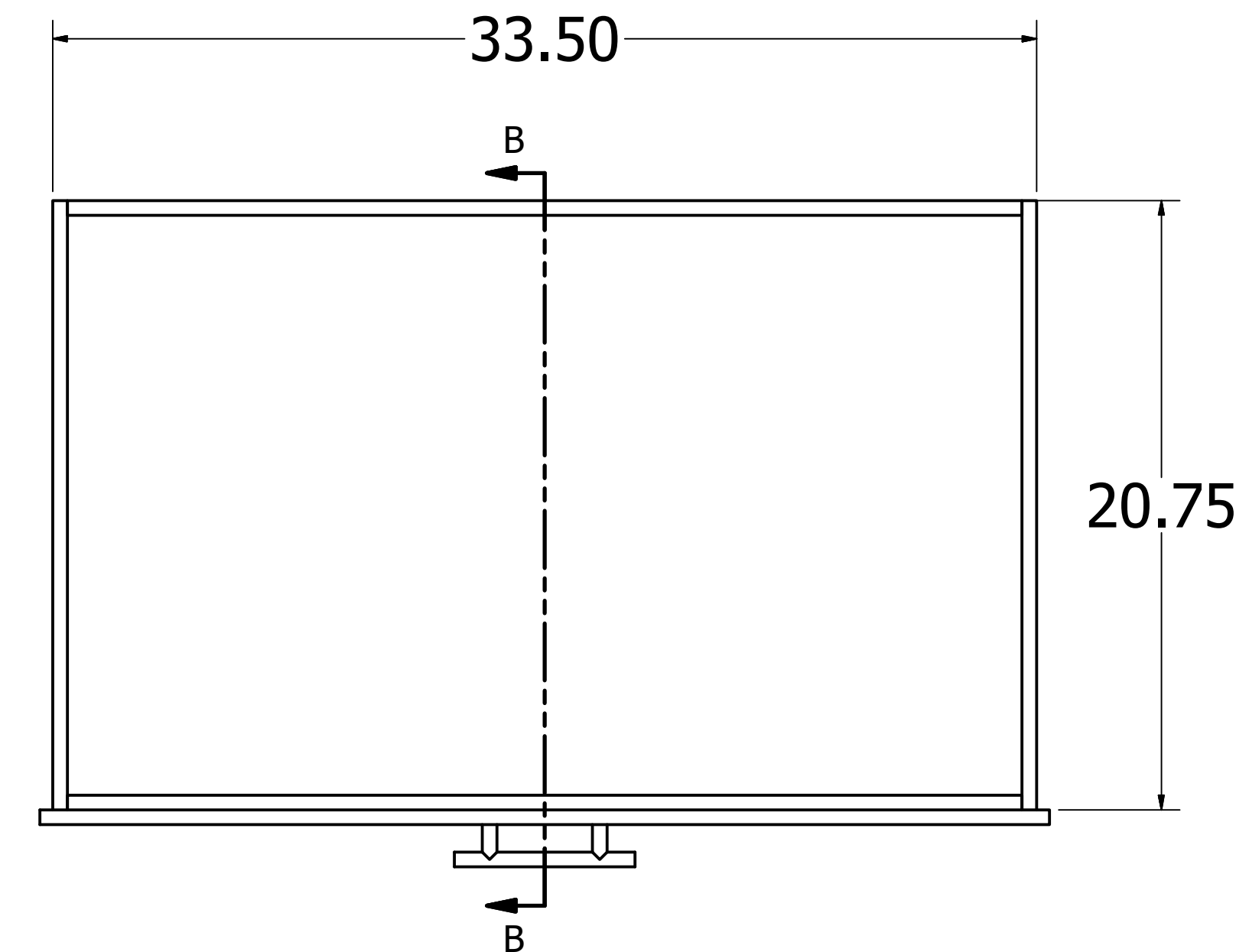
A



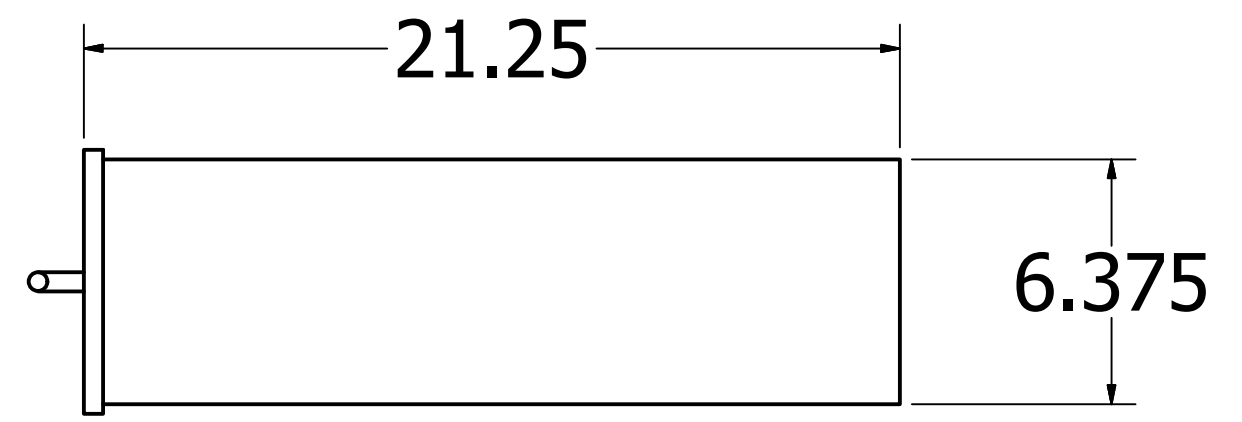
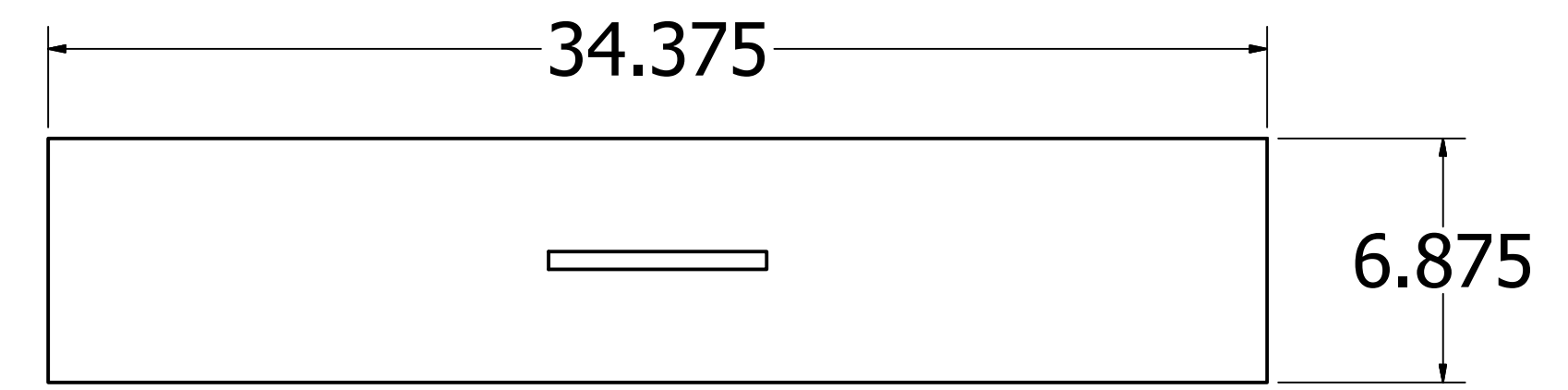
CAB 3 - WEB FRAME & KICK PANEL

|              |           |  |           |                |
|--------------|-----------|--|-----------|----------------|
| Kevin Culver | 4/21/2019 | <a href="https://kevswoodworks.com">https://kevswoodworks.com</a><br>MyBenchTime@gmail.com |           |                |
|              |           | TITLE  |           |                |
|              |           | Lathe Cabinet  |           |                |
|              |           | SIZE   | DWG NO    | REV            |
|              |           | D  | Lathe_Cab |                |
|              |           | SCALE  | .2        | SHEET 19 OF 22 |

8 7 6 5 4 3 2 1

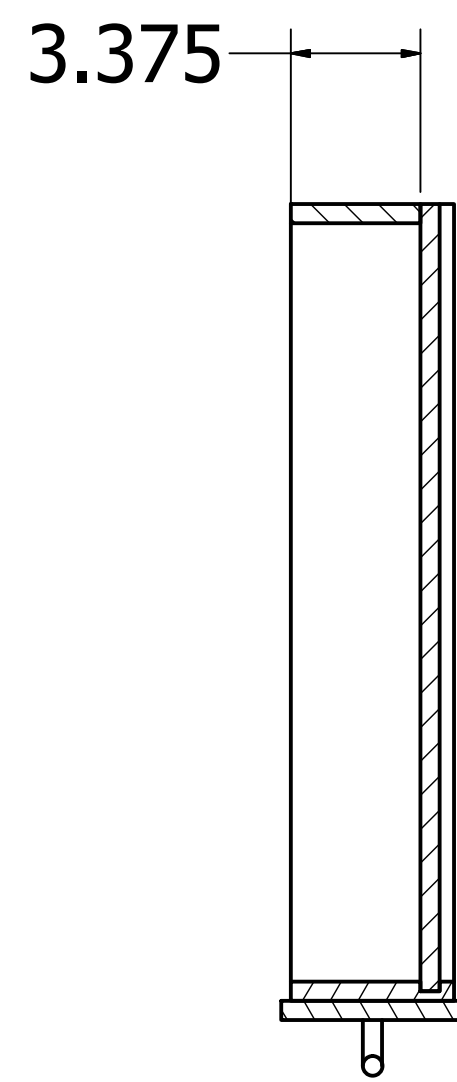
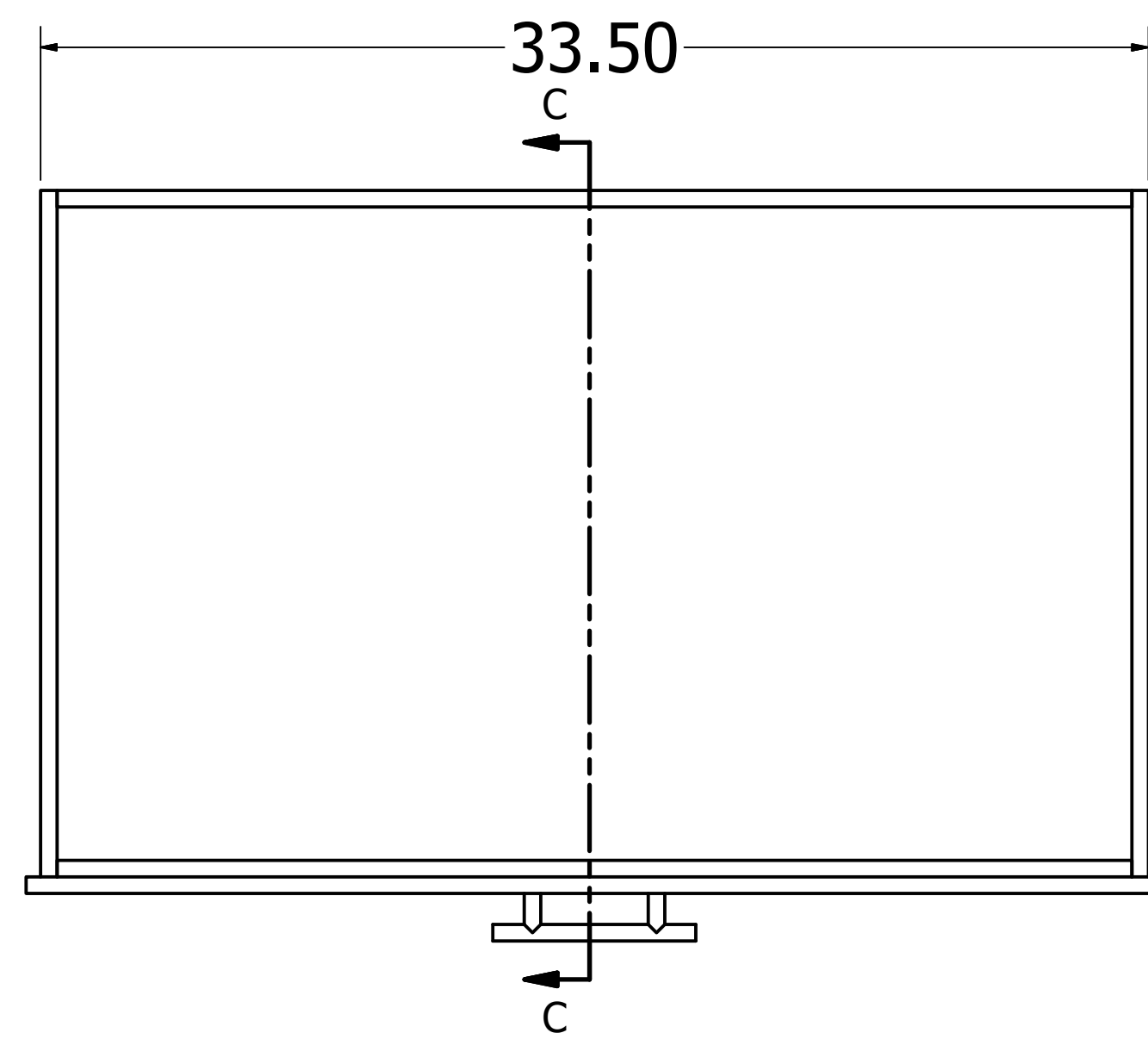


SECTION B-B  
SCALE .2

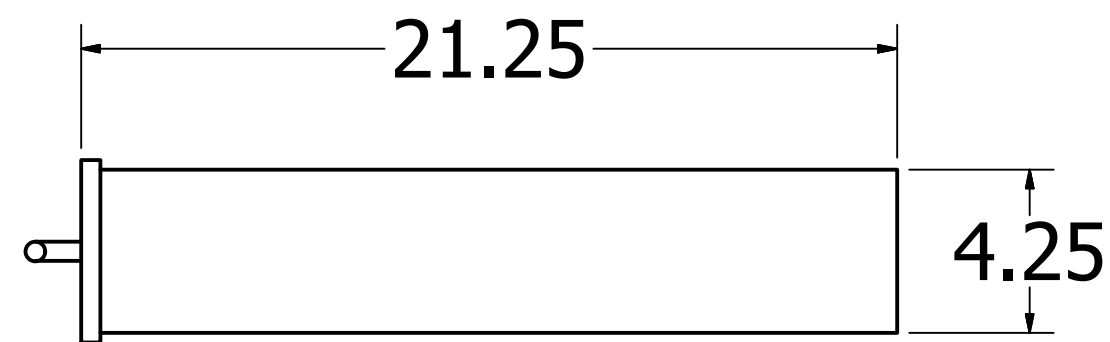
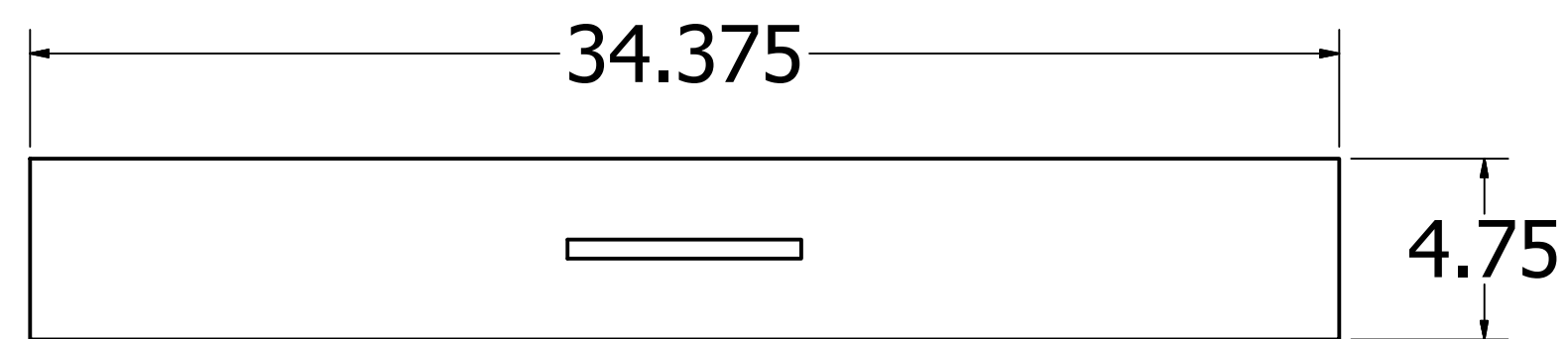


# CAB 3 - LARGE DRAWER

|              |           |   |           |                |
|--------------|-----------|---|-----------|----------------|
| Kevin Culver | 4/21/2019 | <a href="https://kevswoodworks.com">https://kevswoodworks.com</a><br><a href="mailto:MyBenchTime@gmail.com">MyBenchTime@gmail.com</a> |           |                |
|              |           | TITLE   |           |                |
|              |           | Lathe Cabinet   |           |                |
|              |           | SIZE  | DWG NO    | REV            |
|              |           | D   | Lathe_Cab |                |
|              |           | SCALE   | .2        | SHEET 20 OF 22 |

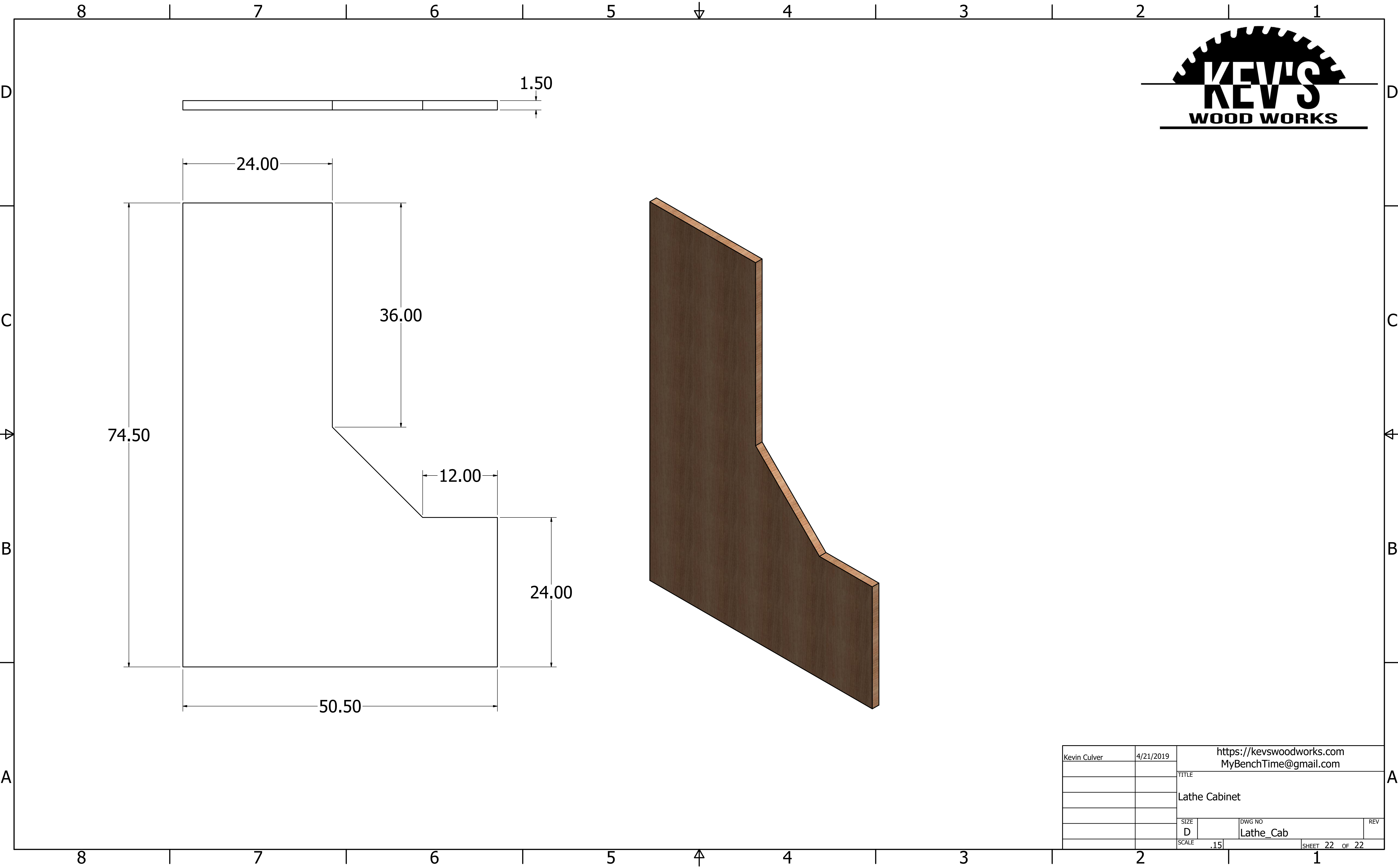


SECTION C-C  
SCALE .2



# CAB 3 - SMALL DRAWER

|              |           |  |           |                |
|--------------|-----------|--|-----------|----------------|
| Kevin Culver | 4/21/2019 | <a href="https://kevswoodworks.com">https://kevswoodworks.com</a><br>MyBenchTime@gmail.com |           |                |
|              |           | TITLE  |           |                |
|              |           | Lathe Cabinet  |           |                |
|              |           | SIZE   | DWG NO    | REV            |
|              |           | D  | Lathe_Cab |                |
|              |           | SCALE  | .2        | SHEET 21 OF 22 |



|              |           |  |           |                |
|--------------|-----------|--|-----------|----------------|
| Kevin Culver | 4/21/2019 | <a href="https://kevswoodworks.com">https://kevswoodworks.com</a><br>MyBenchTime@gmail.com |           |                |
|              |           | TITLE  |           |                |
|              |           | Lathe Cabinet  |           |                |
|              |           | SIZE   | DWG NO    | REV            |
|              |           | D  | Lathe_Cab |                |
|              |           | SCALE  | .15       | SHEET 22 OF 22 |