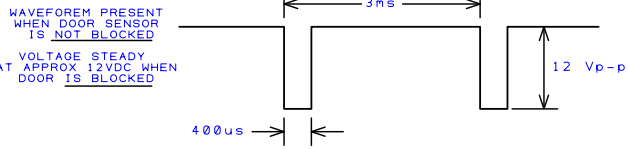
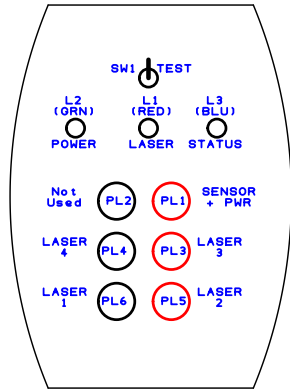


VOLTAGE ACROSS DOOR SENSOR INPUT TERMINALS

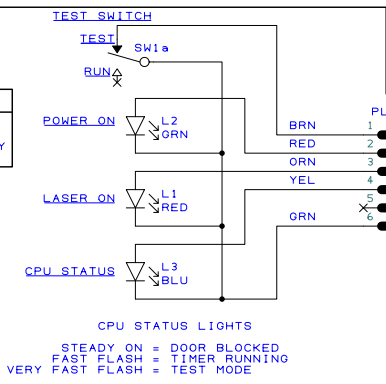


FRONT PANEL (Front View)

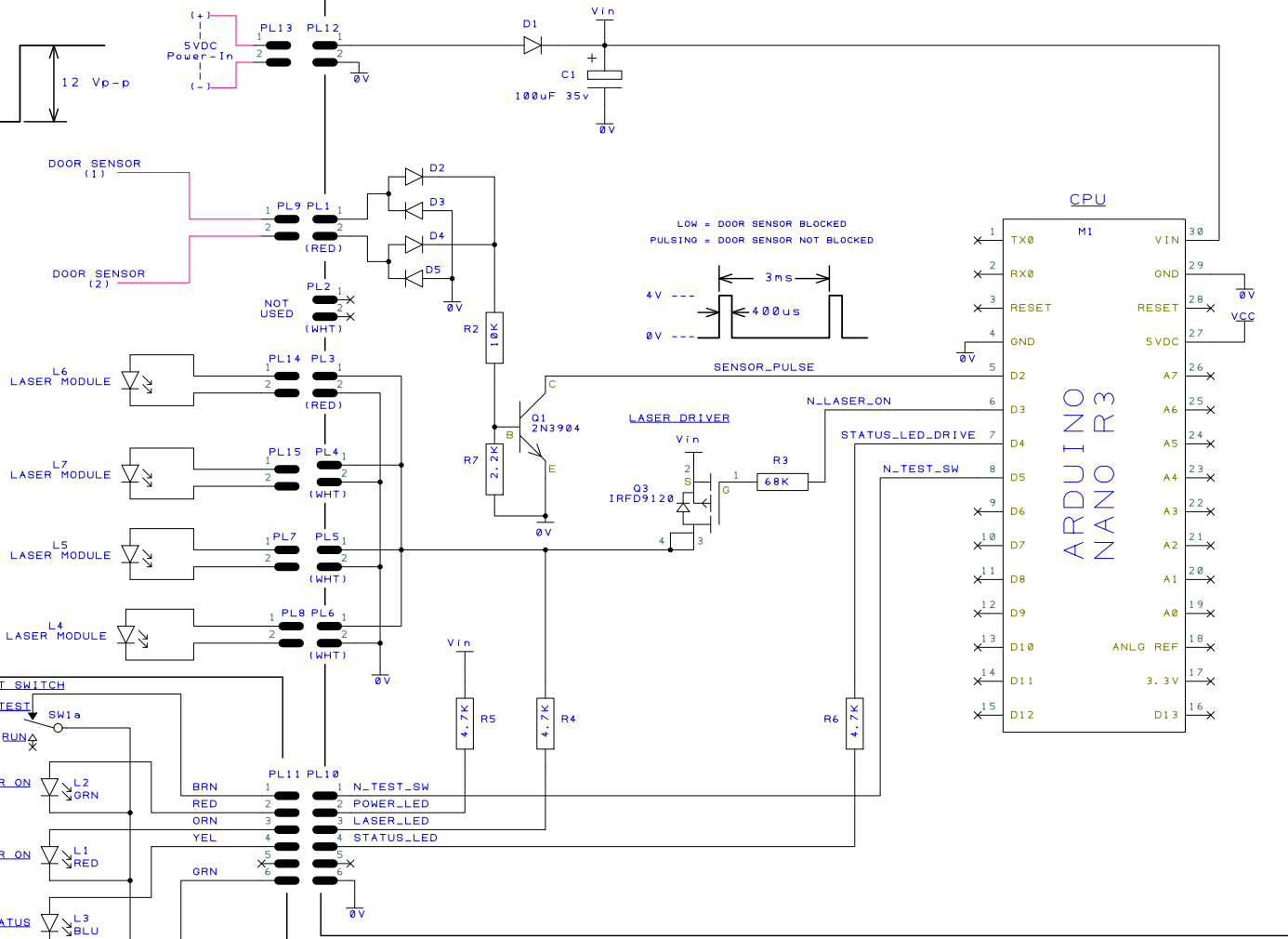


FRONT PANEL (Schematic)

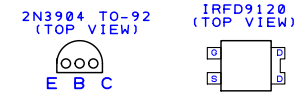
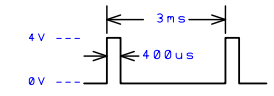
TEST	LASERS ON
RUN	LASER TRIGGERED ON FOR 30 SEC WHENEVER MOMENTARY DOOR BLOCK OCCURS



CPU STATUS LIGHTS
 STEADY ON = DOOR BLOCKED
 FAST FLASH = TIMER RUNNING
 VERY FAST FLASH = TEST MODE



LOW = DOOR SENSOR BLOCKED
 PULSING = DOOR SENSOR NOT BLOCKED



Code Base File: Nano_Laser_Controller_V2.ino

E	D	C	B	A	Drawn EWA 10-22-2018	Check EWA 10-25-2018	Projection Do Not Scale			LASER CONTROLLER (Rev 2.0) E. ANDREWS 10-22-2018 AMC Consulting Brookfield, WI 53045	
Drn	Drn	Drn	Drn	Project Garage Laser Controller Ver 2.00			Client Internal Use			Drawing No. Laser_Controller_Rev_2.0.sch Laser_Controller_Rev_2.0.pcb	
Chk	Chk	Chk	Chk	Title			Filename Laser_Controller_Rev_2.0.sch			Sheet 1 of 1	